

ELECTRICAL MACHINES AND APPLIANCES

Theory

VOCATIONAL EDUCATION Higher Secondary - Second Year

A Publication under
Government of Tamilnadu
Distribution of Free Textbook Programme
(NOT FOR SALE)

Untouchability is a Sin
Untouchability is a Crime
Untouchability is Inhuman



**TAMIL NADU
TEXTBOOK CORPORATION**

College Road, Chennai - 600 006.

Government of Tamilnadu
First Edition – 2011

CHAIRPERSON

Dr. J. KANAKARAJ

ASSOCIATE PROFESSOR

DEPT. OF ELECTRICAL & ELECTRONICS ENGINEERING

PSG COLLEGE OF TECHNOLOGY

COIMBATORE – 641 004

AUTHORS

Ms. A. Sumathi

Associate Professor
Dept. of Electrical & Electronics Engg.
PSG College of Technology
Coimbatore – 641 004

Mr.R. Krishnakumar

Assistant Professor(Senior Grade)
Dept. of Electrical & Electronics Engg.
PSG College of Technology
Coimbatore – 641 004

Mr P. Balasubramanian

Vocational Instructor (Spl. Grade)
Municipal Boys Hr.Sec School
Pollachi - 642 001
Coimbatore District.

Mr.K.S. Sampath Nagarajan

Vocational Instructor (Spl. Grade)
Govt. Hr.Sec School
Parava kottai - 614 015
Thiruvavur District.

This book has been prepared by the Directorate of School Education on behalf of the
Government of Tamilnadu

This book has been printed on 60 G.S.M. Paper

Printed by Offset of:

**HIGHER SECONDARY – VOCATIONAL COURSE
ELECTRICAL MACHINES AND APPLIANCES
SECOND YEAR – THEORY SYLLABUS**

1. Winding Insulating Materials

Introduction – Electrical properties – Classification – Characteristics – Application areas insulation materials – plastics – insulating varnishes - Types of Insulating varnishes

2. Winding Wire

Introduction – Properties – Characteristics – Choice of Conductor material – Enamelled wire – Grades – Properties – Types & shapes of winding wires – Gauge plate

3. Details of winding

Coil details – shapes of slot – slot insulation – coil formation – Stator (stationary) winding – Rotor (rotating) winding – DC Armature winding - Lap winding – wave winding – whole coil winding – half coil winding – concentrated winding – distributed winding - single layer winding – double layer winding – single phase winding – three phase winding – concentric winding – chain winding.

4. Development of winding – AC machines

Single phase windings – Lap winding – wave winding – concentric winding – Three phase winding – single layer winding – double layer winding.

5. Development of winding – DC machines

General procedure – Double Layer simplex Lap winding – Double layer duplex Lap winding – Double Layer simplex wave winding.

6. Rewinding and Testing of Electric Motors

Methods of Rewinding – Testing the new winding – Testing of Armature – Insulation resistance test - Growler test - Drop test.

7. Instruments and Testing

Introduction – Voltage tester screwdriver – Continuing Test – Insulation test – Measurement of Power for DC & AC Circuits.

8. Electrical Cooking Appliances

Introduction – Types – Construction – Electric Toaster – Types – Automatic and Non-Automatic.

9. Electric Iron Box

Types – Non-Automatic – Automatic – Construction and Working – Comparison – Trouble Shooting – Steam Iron Box.

10. Water Heaters & Coffee makers

Water Heater – Function – Types – Electric Kettle – Immersion water heater – Construction and working – storage water heaters – Non pressure type – pressure type – construction and working – repairs & remedies – Coffee maker – types – construction and working of percolator type.

11. Electric Mixer & Egg beaters

Electric Maker – Function – Construction – General Operating Instruction – Caution – Cleaning – Repairs and Remedies – Egg beaters – Hand operated crank type – Electric type – Construction.

12. Vacuum Cleaner and washing machine

Vacuum Cleaner – Function – Principle – Main components – features – types - working – accessories - Filters – Repairing.

Washing Machine – Function – Types – Semi and Fully Automatic – Top and Front loading – washing technique – working cycle – construction and working of washing machine – comparison of Top and front loading machines – Problems and Remedies.

13. Electric Fan & Hair Drier

Electric Fan – Function – Terminology – Construction and Working of Ceiling & table fans – Exhaust Fan – General Fault and Remedy.

Hair Drier – Function – Types – Construction and working – safety features – repairs & remedies.

14. Centrifugal Pump :

Introduction – Constructional features – working – friction lead – static suction head – static delivery lead – automatic operation of pump – Trouble shooting.

15. Maintenance of Rotating Machines

Introduction – Types of maintenance – preventive maintenance schedule – Fitting and removing of a bearing - Maintenance of bearing – Balancing – Preventive maintenance of electric equipments – General procedure for overhaul of motors – Maintenance of AC Motors — Insulation resistance of a motor - Defects in brushes, brush gear - Trouble shooting chart – defects in commutator – Degreasing – Varnish application - Vacuum Impregnation.

16. Maintenance of Transformers :

Introduction – Action taken for rise in oil temperatures and falling of oil level – methods of drying out of transformers – Time of drying out operation - Qualities for Transformer oil – methods of purifying and drying out of transformer oil – Checking of dielectric strength of transformer oil – action taken for transformer failure - periodical overhaul.

CONTENTS

	Page No.
1. Winding Insulating Materials	1
2. Winding wire	15
3. Details of winding	24
4. Development of Winding - AC machines	36
5. Development of Winding - DC machines	64
6. Rewinding and Testing of Electric motors	75
7. Instruments and Testing	89
8. Electrical Cooking Appliances	97
9. Electric Iron Box	102
10. Water Heaters and Coffee Makers	109
11. Electric mixer and Egg Beaters	118
12. Vacuum cleaner and Washing machines	124
13. Electric Fan and Electric hair drier	138
14. Centrifugal Pump	152
15. Maintenance of Roatating machines	160
16. Maintenance of Transformers	179

1. WINDING INSULATING MATERIALS

1.1 INTRODUCTION

The Electrical insulating materials are defined as materials which offer a very large resistance to flow of current, and for that reason they are used to keep the current in its proper path along the conductor. This is evident when we touch an electric machine when it is under operation. We don't receive any electric shocks, because of the insulation. Breakdown of insulation results in short circuiting of the coils, causing electric currents to flow in unintended paths. This may also cause, electric shocks to humans operating the machinery and also damage the machines.

Requirements of a good insulating materials involve physical properties, reliability, cost, availability, adaptability to machining operations etc. Electrical insulation and dielectric materials includes various forms of materials that surround and protect electrical conductors and prevent unwanted current flow, leakage. Electrical specifications include electrical resistivity, dielectric strength, and dielectric constant.

1.2 ELECTRICAL PROPERTIES

Electrical Resistivity : It is the electrical resistance (ohm-cm) to the flow of current through it. Its value should be very high. Resistivity is the inverse of conductivity.

Dielectric Strength : Dielectric strength is the maximum voltage gradient that the material can withstand before electrical breakdown occurs. This value specified as 'kV/mm' should be very high even for very thin films.

1.3 CLASSIFICATION OF INSULATING MATERIALS : The insulating materials are classified in the following two ways :

1. Classification according to substances and materials.
2. Classification according to temperature.

Classification according to substances and materials :

(i) Solid Insulating Materials [Inorganic and organic]

Mica, wood, slate, glass, porcelain, rubber, cotton, silk, rayon, terylene, paper and cellulose materials etc.

(ii) Liquid Insulating Materials [Oils and Varnishes]

Refined hydrocarbon minerals oils, Linseed oil, spirit and synthetic varnishes, etc.

(iii) Gaseous Insulating Materials

Dry air, carbon dioxide, argon, nitrogen, etc.

Classification according to temperature : The insulating materials are classified mainly based on the thermal limit. The performance of the insulation depends on its operating temperature. The higher the temperature, the higher will be the rate of its chemical degrading, and hence the lower will be its useful life as shown in fig.1.1. If a reasonably long life of insulation is expected, its operating temperature must be maintained low. Therefore, it is necessary to determine the limits of temperature for the insulation, which will ensure safe operation over its expected life.

Thus the insulating materials are grouped into different classes Y, A, B, and C with temperature limits of 90° C, 105° C and 130° C for the first three classes and no specific limit

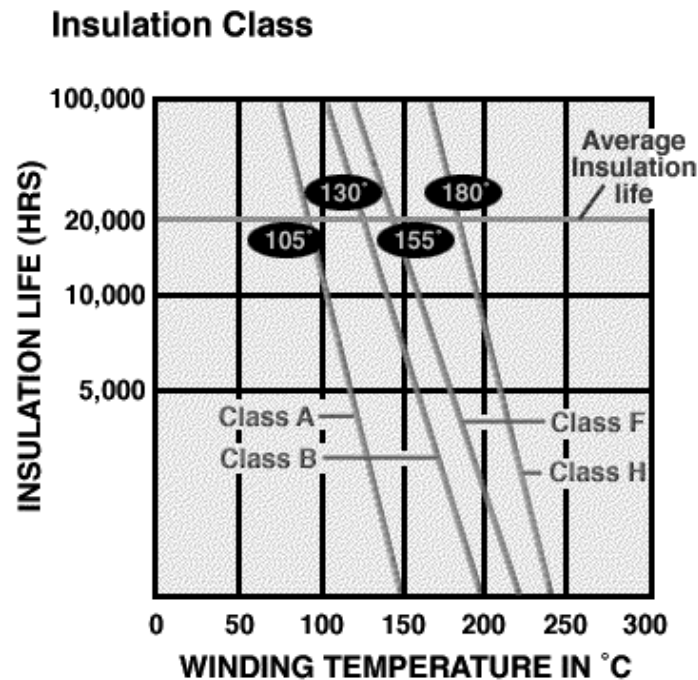


Fig.1.1

fixed for class C. Class Y and A cover the various organic materials without and with impregnation respectively, while classes B and C cover inorganic materials, respectively with and without a binder. With the existence of newer insulating materials, namely, the plastics and silicones, during the middle of this century, a need was felt to reorganize the classification of the insulating materials. This classification is shown in fig.1.2. This led IEC (International Electro technical Commission) to come up with the new categories:

- Class Y : 90° C: Paper, cotton, silk, natural rubber, polyvinyl chloride, etc. without impregnation. (formerly O)
- Class A : 105° C: Same as class Y but impregnated, plus nylon.
- Class E : 120° C: Polyethylene terephthalate (terylene fibre, melinex film), cellulose triacetate, polyvinyl acetate enamel.
- Class B : 130° C: Mica, fiberglass (alkali free alumino borosilicate), bituminized asbestos, bakelite, polyester enamel.
- Class F : 155° C: As class B but with alkyd and epoxy based resins, polyurethane.
- Class H : 180° C: As class B with silicone resin binder, silicone rubber, aromatic polyamide (nomex paper and fiber), polyamide film (enamel, varnish and film) and estermide enamel.
- Class C : Above 180° C: As class B but with suitable non-organic binders; (Teflon, Mica, Micanite, Glass, Ceramics, Polytetrafluoroethylene).

In the above classification Non-impregnated, moisture absorbing materials of Y- class are not generally used for motor winding insulation purposes. Since they easily absorb moisture, their quality quickly degrades. C-class materials are generally brittle, so they too are not suited for motors. Insulation materials of A and B class are being used for a long time for winding insulation purposes. In recent times F and H class are being increasingly used for winding insulation.

1.4 CHARACTERISTICS OF A GOOD INSULATING MATERIAL : A good insulating material should possess the following characteristics.

- I. Very high insulation resistance.
- II. High dielectric strength.
- III. Low thermal expansion.
- IV. Non-inflammable when exposed to arcing.
- V. Resistant to oils or liquids, gas fumes, acids and alkalies.
- VI. Should have no deteriorating effect on the material, in contact with it.
- VII. Good thermal conductivity.
- VIII. High mechanical strength
- IX. High thermal strength.
- X. Should be resistant to thermal and chemical deterioration.
- XI. Should be resistant to moisture absorption.

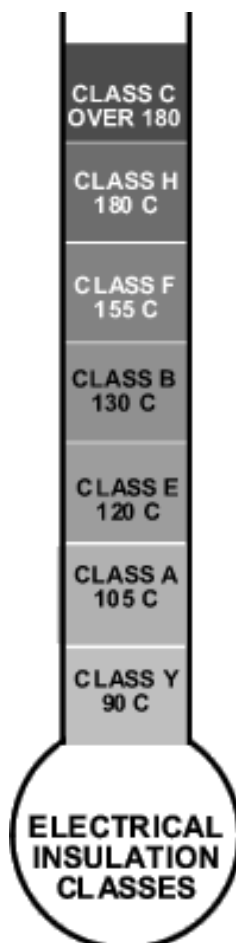


Fig.1.2

1.5 THERE ARE FOUR PRINCIPAL AREAS WHERE INSULATION MUST BE APPLIED. They are

- a) between conductor /coils and earth (phase-to-earth),
- b) between conductor /coils of different phases (phase-to-phase),
- c) between turns in a coil (inter-turn) and
- d) between the coils of the same phase (inter-coil).

1.6 INSULATING MATERIALS - FORMS : Insulating materials are available in different shapes and sizes. Insulating materials are available as Tapes, rolls, sleeves, paper and cloth.

Insulation Tapes and sleeves : Insulation tapes are used cover the windings(coils) on the overhang side. Shellac or varnish are applied over this covering to prevent it from absorbing moisture and improve insulation strength. Tapes are sold as rolls in required lengths. Different types of Insulation tapes available are: Cotton tape, PVC tape, Silk tape, Polyester tape, Asbestos tape, Glass Fiber tape, Empire cloth tape, Mica tape.

Insulation sleeves are used to cover the joints made at the coil ends and coil leads. It gives physical protection to joints and also provides insulation. They come in rigid and flexible types. They are available for standard wire sizes.

Insulation paper : A variety of insulating papers are available specifically designed for insulating electrical circuits. In motors it is used to insulate the slots, in between coils. Following are the most often used insulating materials: Leatheroid paper, Press pan paper, Manila or hemp paper, Triflexil paper, Asbestos paper, Micanite paper

Insulation cloth : It is inserted between the coils after they are placed in slots. Sometimes it is also used as slot liner. Empire cloth, Asbestos cloth, Glass cloth, Mica cloth, Micanite- cloth are some of the types.

1.7. INSULATION MATERIALS:

Leathroid paper : These papers are pressed form of a non-woven fabric of fibres from good and tough wood. It is available from 0.05mm thickness. It is sold as rolls in meters. Generally used for low voltage machines. This A-grade insulating material is mainly used as insulation in electrical appliances, machineries, and power equipments.

NOMEX : NOMEX is widely used in a majority of electrical equipments. It is used in almost every known electrical sheet insulation application. Available in various thicknesses with a density from 0.9 to 1.0, NOMEX is ideal choice to use as slot insulation in hand-wound motors and for covering of coils, and is also used in other applications such as folded or punched parts. It is also widely preferred as sheet insulation in fluid filled transformer applications due to its improved impregnability. Dielectric strength of NOMEX ranges from 24 to 30 kV/mm. This is Insulation class F (155 °C) materials.

The NOMEX sheet can be used with virtually all classes of electrical varnishes and adhesives (polyimides, silicones, epoxies, polyesters, acrylics, phenolics, synthetic rubbers), Resins quickly penetrate and pass through the sheet to form a cohesive bond between motor end turns. Due to its stiff structure it can be quickly and easily inserted between coils. Mechanical toughness of the sheet helps to keep the shape of the insulation intact during motor assembly. NOMEX is able to maintain its insulation properties over a long period even if it is subjected to temperature variations. This assures proper insulation between phases and gives good reliability for the motors. NOMEX sheets can also be used with transformer fluids (mineral and silicone oils and other synthetics) and with lubricating oils and refrigerants used in hermetic systems. Common industrial solvents (alcohols, ketones, acetone, toluene, xylene) have a slight softening and swelling effect on NOMEX paper, similar to that of water. These effects are largely reversible when the solvent is removed. The Limiting Oxygen Index, LOI, (ASTM D-2863) of NOMEX paper at room temperature ranges between 27 and 32% (depending on thickness and density). Materials with LOI above 21% (ambient air) will not support combustion.

Triflexil : Combined flexible insulating material, this is **Insulation class F** (155 °C) material conforms to IEC 626-1. The material consists of two or three layers: Inner layer: Polyester film, Outer layers: Polyester non-woven fabric, esterimide-impregnated. Good adhesion between

impregnating or trickle resins. Smooth surface, therefore good machineability, Low moisture absorption, good chemical resistance. Dielectric strength: 7 – 24 kV. Used widely as Slot insulation, slot closure, layer insulation. Triflexil is available in sheets, rolls, strips, and in thicknesses from 0.25 mm.

Film paper : Polyester film is a flexible, strong and durable film with right balance of properties making it suitable for many industrial applications. It is **Insulation class E** (120 °C) material. In motor applications, certain types of polyester film are used for ground insulation as slot liners and wedges, as well as phase insulation. Polyester film is a tough general purpose film which is semi-transparent with thickness ranging from 0.075 mm or above. Generally it has a tensile strength of an average 210 MPa, highly resistant to moisture and most chemicals. It is able to withstand temperatures ranging from extremes –70°C to 150°C. Since it contains no plasticizers, film does not brittle with age under normal conditions. Dielectric Strength is 2,5 to 20 kV/mm. Melinex, Mylar, Teonex are some of the trade names of the films used.

Press Board : It is a mixture of cellulous and old cloth and is manufactured in short lengths. It is also called as Fuller board. It is similar to a press pan paper. It is available from 0.1 to 0.8 mm thickness of wire and 1 to 3 mm thickness of plates. **Insulation class A** (105 °C). Brown colour, non-glazed (mat), glazed (polished) on both sides. Dielectric strength is 11 kV/mm. It is used as slot insulation, Core insulation, Separator, Used under bamboo sticks.

Empire cloth : It is made by using cotton or silk cloth dipped in varnish. It is yellow or black in colour. It cannot withstand high heat, but flexible and can withstand high moisture. It has good mechanical and dielectric strength. Used as cover for armature winding, slot insulation along with leathroid paper, Insulation paper between coils, in between small transformer windings.

Bamboo sticks : During running of motor, the coils may be come out from the slots due to centrifugal force. This is avoided by inserting bamboo sticks at the top side of the slots. The sticks are made to size depending on the slot size. Hard trees are used for making these sticks.

Paper : It is prepared from wood pulp and manila fibres beaten and rolled into sheets. Its dielectric strength is 4 to 10 kV/mm thickness. It is moisture absorbent and so is particularly suitable for impregnation. Electrical properties are quite good. It is rarely used in un impregnated condition but can be used successfully under oil. It catches fire at 125° C so that the temperature of any paper insulated apparatus is limited to about 100° C.

Wood : The dielectric constant of wood varies in the range 2.5 to 2.7. Dry resistivity is in the order of 10^{10} to $10^{13}\Omega$ cm. It can withstand a voltage gradient of 40 kV/mm in service. These properties vary over a wide range , depending on the type of wood, seasons of cutting, grain direction, and especially the water content. Used for slot wedges, Papers, etc.,

Asbestos board : Its dielectric strength is 3 to 4.5 kV/mm thickness. It is highly moisture absorbent. Its strength increases by impregnation but heat resistance and non-inflammability reduces. It melts at 1500° C. It is neither mechanically strong nor flexible. Purified fibres with clay filler have better electric strength. Asbestos electrical insulating paper is supplied in thickness of 0.2 to 1.0 mm and, depending on its thickness, has a minimum breakdown voltage from 0.9 to 2.4 kV. It is

manufactured by using zinc chloride solution with paper plate. It is in grey colour or yellow colour. After the coils are inserted in the slots, this is provided on the top of the slot as a protection to coils and also used as insulation between coils. Other types of boards are

1. Hard board
2. Ivory board
3. Hylum sheet

Mica : It is a mineral consisting of silicate of aluminium with silicate of soda potash and magnesia. It occurs in the form of crystals, can easily be split into very thin sheets. It is affected by oils. The resistivity of mica at 25° C ranges from about 10^{12} to $10^6 \Omega \text{ cm}$. The dielectric strength varies from 40 to 150 kV/mm. It is least affected by heat but dehydrates at high temperatures. It has high dielectric strength and low power loss. It is rigid, tough and strong. Moisture does not have any effect on it. Its electrical properties are deteriorated in the presence of quartz and feldspar. The Mica paper is not sufficiently strong or self supporting. Hence, it has to be given backing of glass cloth or other binding material such as epoxy resin. Epoxy resin bonded mica paper is extensively used in both low and high voltage machines. For non-epoxy system a varnish impregnation is essential to fill the air pockets and also to act as a barrier against moisture and chemicals present in the atmosphere. The varnish used should have the property of forming an unbroken tight adhesive and reasonably flexible film.

Mica resists to a high degree the attack of gases such as combination products but is attacked by warm hydrochloric acid potassium hydrate, warm alkaline carbonates, and water containing carbon dioxide. Mica is used as insulation separator for commutator segments, washers, gaskets for core end bolts. It also used as composite tapes and sheets.

Micanite : Normally, mica is available in the form of very thin splitting. Hence it is bound to a supporting sheet of electrical grade paper or glass cloth with a suitable binding agent. The resulting mica sheets are known as micanite. Its dielectric strength is 30 kV/mm. It is used as insulating sheets between coils of different phases.

Bakelite : It is a type of phenol formaldehyde. Its dielectric strength is 6 to 15 kV/mm thickness. It is hard thermosetting and dark coloured material. Used for making terminal boards, and slot wedges.

Glass : It is a thermoplastic inorganic material comprising complex system of oxides. The volume resistivity at 200° C is extremely high, 1×10^{16} to $1 \times 10^{18} \Omega \text{ cm}$. Quartz glass is non-hygroscopic, has very high chemical resistance, withstands temperature fluctuations, and has a low coefficient of linear expansion of $5.5 \times 10^{-7} \text{ cm per } ^\circ \text{C}$. It is not subjected to thermal ageing. Glass has a very high compression strength [6000 to 21000 kg/cm²] but a low tensile strength [100 to 300 kg/cm²] and is extremely brittle. The dielectric constant varies from 3.8 to 16.2. At room temperature it can withstand a voltage gradient of about 8- 20 kV/mm. Toughened glass is used for insulation in EHV lines, of voltages more than 100 kV. Glass fiber tapes, threads and sleeves are indispensable part of a motor insulation.

Cotton or silk : Cotton is hygroscopic (absorbes moisture) and has low dielectric strength, so it must be impregnated with varnish or wax after winding. Cotton covered wire is extensively used for winding of small magnet coils, armature windings of small and medium sized machines,

chokes and transformer coils etc. Silk is more expensive than cotton but takes up less space and is therefore used for windings in fractional horse power machines.

Silk is less hygroscopic and has a higher dielectric strength than cotton, but like cotton it requires impregnation. The operating temperature of cotton and silk is 100° C and the material may catch fire above this temperature.

Rubber : Rubber is obtained by vulcanizing raw rubber [natural or synthetic]. Ordinary electrical insulating rubbers, have the following electrical characteristics under normal conditions :

The electric strength of organic rubbers strongly depends on the kind of current involved, the degree of stretch, and the time during which the voltage remains applied. When left unstretched and subjected to a short-time 50 Hz test voltage, rubber will have an electric strength within the following limits, depending on the pure-rubber constant.

For a 20 to 25 % rubber content.....20 to 30 kV/mm

For a 30 to 35 % rubber content.....30 to 45 kV/mm

The dielectric strength of rubber is 2 to 2.5 times the electric strength at 50 Hz.

Although rubber is practically water and gas tight its electrical characteristics are affected by moisture, especially for rubbers compounded with considerable quantities of the substances which increases the sensitivity to moisture. Only specially compounded rubbers can maintain their electrical characteristics nearly unchanged when kept continuously in contact with moisture. Normally used as seals, gaskets and washers.

For normal rubbers the maximum operating temperature is usually 55°C, for rubbers of great heat resistance it is 65°C. For butyl rubbers the working temperature can be as high as 90°C. Rubbers possess a limited post resilience and at sufficiently low temperatures become brittle.

Silicon rubbers : They have high electrical insulating properties, heat resistance, frost resistance, moisture resistance, as well as resistance to ozone and light. These rubbers can be produced as adhesive tapes [lined with a layer of vulcanized rubber] suitable for insulating the windings of high-voltage electrical machines. Those tapes also serve to insulate the terminal leads of electrical machines designed for high temperature rise. Silicon rubbers retain their flexibility at temperature as low as -10°C. One of their drawbacks is relatively low mechanical strength, another is high cost.

Insulating fabrics : Base materials for insulating fabrics include natural fibres such as cellulose, cotton and silk; synthetic organic fibres of, for example cellulose derivatives, polyamides [nylon], polyethylene terephthalates; and inorganic fibres, chiefly glass and asbestos. Non-woven synthetic organic fibres are usually bonded into a fabric by use of a bonding resin or by fusion. They find electrical use chiefly as a base for resin-impregnated insulation.

Unimpregnated woven fabrics find some limited use in electrical insulation. The electric strength of such fabrics generally does not exceed the breakdown strength of an equivalent air gap and indeed be less. Their chief use, therefore, is to provide mechanical strength, abrasion

resistance, and mechanical spacing of conductors in low voltage applications. Often the properties of such fabrics are upgraded by impregnation with a varnish after application. Better results are generally obtained if the fabric is impregnated prior to application.

1.8 PLASTICS : A plastic in a broadest sense is defined as any non-metallic material that can be moulded to shape. The most common definition for plastics is that they are natural or synthetic resins, or their compounds which can be moulded, extruded, cast or used as films or coatings. Most of the plastics are of organic nature composed of hydrogen, oxygen, carbon and nitrogen. The synthetic plastic development dates from 1909 when Dr Bakeland announced the production of phenol-formaldehyde. Since then several new plastics have been developed.

The plastics possess infinite variety of properties. Properties common to most of the plastics are given below :

1. Light weight.
2. Low thermal conductivity
3. A wide range of colours
4. Resistance to deterioration by moisture
5. Low electrical conductivity

Plastics, most commonly, are classified as (1) **Thermoplastic** and (2) **Thermosetting**.

Thermoplastic materials are those which soften on the application of heat, with or without pressure but they require cooling to set them to shape.

Thermosetting materials are those plastics which require heat and pressure to mould them into shape.

Thermoplastic Materials:

Polyethylene or Polythene : Polythenes are obtainable as viscous liquids, gums and tough flexible solids suitable for moulding. They have waxlike in appearance, semi-transparent, odourless and one of the lightest plastics. Flexible over a wide temperature range. High resistivity and dielectric strength. Chemically resistant. Do not absorb moisture. Dielectric losses and dielectric constant are low. They are relatively cheaper in cost.

Polyvinyl chloride (PVC) : The vinyl chlorides are formed from hydrochloric acid, limestone, and natural gas or coal. The forms of vinyl chloride are almost unlimited. PVC is used in electric and electronic equipment such as circuit boards, cables, electrical boxes, computer housing, insulation and adhesive tapes.

The flexible types are strong, tear resistant and have good ageing properties. The rigid types have good dimensional stability and are water resistant. They are resistant to acids and alkalies. It becomes soft beyond 80°C. It is self extinguishing when ignited and the source of flame is removed. It offers more resistance to oxygen, ozone and sunlight.

Softening temperature	120°C
Insulation resistance...	10 ¹² -10 ¹³
Dielectric strength [kV/mm]	30

For example PVC is difficult to ignite and in the absence of a powerful external flame will not

continue to burn. This is due to its chlorine compound. This makes it an ideal construction and cable material. The incineration (burning) of PVC causes the release of toxic chemicals like dioxins and other chemicals that are harmful to humans.

Thermosetting Plastics

Aminos

- [a] Urea formaldehyde resins : They are derived from the reaction of urea with formaldehyde or its polymers. These resins cannot offer high resistance to heat.
- [b] Melamines: When the resin is used with asbestos or glass fibre as filler material, its heat resistance is in the range of 200^o C. It is highly resistant to chemicals. Possess outstanding electric arc resistance. Excellent resistance to water. Available in full range of translucent or opaque colours. Boards made from these material are used as distributor heads, casings for electric devices, terminal boards.

Phenolics [Phenol formaldehyde resin]: They are made by a reaction between phenol and formaldehyde. They are probably the most widely used and cheapest of thermosetting plastics. Strong, rigid and dimensionally stable.

Heat and solvent resistant. Non-conductors of electricity. Used as Electrical appliance handles, TV and Radio cabinets

1.9 INSULATING VARNISHES:

Varnish coating, also called Secondary Insulation, is an important component of the insulation system of an electrical machine. Varnishes, of different types are used in the insulation system of electrical machines for impregnation and finishing applications. Advantages of these coatings are:

- ❖ Increased mechanical bonding to the winding wires
- ❖ Improved dielectric properties
- ❖ Improved thermal conductivity
- ❖ Protection to the winding against moisture and chemically corrosive environment.

Varnishes are classified based on: 1. Applications of varnish. 2. Type of (varnish) curing method. 3. Based on main raw material used in varnish.

Insulating varnish based on applications:

1. Impregnating varnish
2. Finishing varnishes
3. Core plate varnishes
4. Bonding varnishes
5. Special purpose varnishes

Insulating varnish based onCuring method : 1. Air drying type 2. Oven baking type

Main raw material used: Alkyd Phenolic, Alkyd, Polyurethane, Isophthalic Alkyd, Modified polyester, Epoxyester Melamine, Polyesteramide, Epoxy, Phenolic, Phenolic Melamine - based. The above varnishes come in Solvent based and Solvent-less based.

Method of applying varnish:

- ❖ Applying a coating with a paint brush
- ❖ Vacuum pressure method
- ❖ Dipping the specimen into varnish
- ❖ Conveyorised dip method.

Impregnating varnish: The main function of impregnating varnish is not electrical insulation of current-carrying conductors. but to fill the empty spaces in and around windings and to provide mechanical reinforcement of the loose grouping of conductors, even at high temperatures. The filling of empty spaces not only gives mechanical strength, but also hinders or prevents penetration of unwanted substances from the environment. This gives the component improved resistance to chemical attack, to moisture, thus extending its service life. They are applied by dipping the component in the varnish, or less often by trickling process. These type of varnishes needs to be cured(heated in a oven) at temperatures ranging from 100°C to 160°C for 2 to 12 hours time.

Finishing (coating) varnish : Finishing varnishe is used not to strengthen the windings, but to protect the component from external attack by environment conditions. They are applied purely as a surface coating, and are characterised by outstanding film forming properties. Often applied by paint brush or sprayed, in repair shops after rewinding works. They are mostly air drying type. It takes almost a day to completely cure.

Core plate varnish : This varnish is applied to electrical laminations used in electrical machines. This acts as insulating layer between successive laminations. It is baked at high temperatures, 350°-450° c for about 5 min.

Binder varnish : This type of varnish is used as bonding agent between two insulating materials. Mechanically weak materials when bonded show good rigidity. It is baked at temperatures of about 120°C to 450°C for a duration of 3min. to 60 min, depending on the grade of the varnish.

Properties of Insulating varnish coating after curing : Varnish after application and after under going required curing process at appropriate temperature forms into a uniform film on the materials. The elastic varnish film has very good mechanical properties such as hardness, flexibility, penetration, good adhesion and Bonding strength. The cured film is resistant to moisture, dilute acid, alkalis, chemicals like benzene & Toluene, oils and tropical climate from 0°C to 55°C. It has good dielectric behaviour and dielectric strength.

Applying Varnishes: For treating coils, windings, and insulating parts with insulating varnishes the methods generally used are Vacuum impregnation, Hot dipping. Finishing varnishes are usually applied by brush or spray. Mica sticking varnishes are applied by brush or sometimes by machine[by passing a roller which dips in the varnish]. Synthetic varnishes are frequently used for impregnation by dipping and require baking to develop their properties fully.

1.10 TYPES OF INSULATING VARNISHES FOR VARIOUS APPLICATIONS

1. Clear baking varnish.....Armatures, field coils and instruments.
2. Black baking varnishes.....Armatures, field coils and transformers when higher electric strength and resistance to moisture, acids, and alkalies are wanted. They have less resistance than those of clear.

3. Sticking varnish.....Cementing cloth, paper, mica etc.
4. Core-plate varnish[air drying, baking and flashing].....Insulating armature and transformer laminations. The air drying is not suitable for oil-immersed operation.
5. Epoxy resin varnish [baking].....All coil impregnation, internal curing, where superior durability and chemical and moisture resistance are required.
6. Silicone resin varnish [air drying and baking].....Motor stators and rotors, transformers, coils, for high temperatures and high-humidity service.
7. Polyester resin varnishes [baking].....Motor stators and rotors, transformers, coils, for high temperature service not so severe as to require silicones.
8. Phenolic varnishes [baking].....Hermetic motor coils and bonding of form wound coils.

Table 1.1 TYPICAL MODERN INSULATING MATERIALS FOR ROTATING MACHINES

Component	Low voltage machines			High Voltage machines	
	Class E	Class B	Class F	Class B	Class F
Turn-to-turn Insulation	Polyvinyl acetal enamel for both wire and rectangular conductors.	Polyester enamel (wire) or phenolic bonded fiberglass (rectangular)	Estermide enamel (wire) or alkyd bonded fibreglass (rectangular)	Phenolic bonded fibre glass (rectangular)	Alkyd bonded fibre glass (rectangular)
Coil-to-coil and Inside and phase-to the phase insulation slots	Bakelized fabric strips or Melinex film bonded to press paper	Bakelized fabric strips or Melinex film of suitable thickness	Epoxy fibreglass strips or Nomex sheet of suitable thickness	Shellac or bitumen bonded mica foil or tape on straight portions of the coils	Epoxy impregnated mica paper foil or tape on straight portions of the coil.
On overhangs	Melinex film bonded to press board	Alkyd bonded mica glass sheet or Melinex film of suitable thickness	Nomex sheet	Alkyd varnished glass tape on coil ends and alkyd bonded mica sheet between layers	Epoxy varnished glass tape on coil ends and alkyd bonded mica glass sheet between layers
Phase (or coil) to earth insulation	Melinex film bonded to press board	Mica alkyd bonded to glass cloth	Nomex sheet	No extra insulation because the phase-to-phase insulation itself is sufficient	
Slot closure (wedge)	Bakelized fabric strip or Epoxy fibre glass strip or Bamboo strip	Bakelized fabric strip or Epoxy fibre glass strip or Bamboo strip	Epoxy fibre glass strip or Bamboo strip	Bakalized fabric strip	Epoxy fibreglass strip
Insulation for leads	Alkyd varnished terylene or glass tape or sleeving				
Varnish for impregnation treatment	Alkyd phenolic	Alkyd phenolic	Estermide or epoxy	Alkyd-phenolic	Epoxy

QUESTIONS

Part - A

Choose the Correct Answer

(1 Mark)

- 1) Insulating materials are used between
 - A) Conducting materials and Non-conducting materials
 - B) Two non-conducting materials
 - C) Two conducting materials (both not part of current carrying circuit)
 - D) Two conducting materials (of which only one is part of current carrying circuit)
- 2) Identify which one of the following is Liquid Insulating material
 - A) Rubber
 - B) varnish
 - C) Argon
 - D) paper
- 3) Thermal Insulation class to which MICA belongs is
 - A) Class A (105°C)
 - B) Class B (130°C)
 - C) Class F (155°C)
 - D) Class C (>180°C)
- 4) For which material insulating varnish coating should be applied compulsorily?
 - A) Mica tape
 - B) rubber tape
 - C) cotton tape
 - D) Plastic tape
- 5) Which one of the following is used as slot liner in an electric motor?
 - A) silk tape
 - B) Micanite tape
 - C) Film paper
 - D) fibre board
- 6) wood as sticks is used as _____ in an electric motor.
 - A) Insulator
 - B) Support
 - C) Wedge
 - D) Conductor
- 7) The electrical devices coated with _____ varnish should be heated at about 100° c for 3 – 5 hours to attain good insulating property.
 - A) Laequer
 - B) bonding
 - C) Finishing varnish
 - D) Impregnating Varnish
- 8) The Nitrogen gas is used as _____ in electrical equipment.
 - A) Conductor
 - B) Insulator
 - C) Coolant
 - D) Lubricant
- 9) _____ class of insulating material is not preferred in electric motor, because it is brittle.
 - A) A
 - B) B
 - C) E
 - D) C
- 10) Higher operating _____, is the main reason for the degradation of the insulating material in an electrical device.
 - A) Voltage
 - B) Temperature
 - C) time
 - D) humidity

Part - B

Answer the following questions in one or two words

(1 Mark)

1. What property should be more for the insulating material to be thinner?
2. Which classes of insulating material can withstand temp.s of 155° C and 180° C respectively?
3. What is the insulation class of NOMEX material?
4. In motor winding applications, where film paper is used?
5. What is the name of the MICA splitting bonded to electrical grade paper?
6. Which is called as secondary insulation in a motor?
7. Give two examples of Thermoplastic material?
8. Give two examples of Thermosetting plastic material?
9. Which type of rubber can maintain its properties even at low temperature(eg.,0 - 5°C)?
10. Which type of varnish is mostly air drying type and more often applied by hand?

Part - C

Answer the following question briefly

(4 Marks)

1. What are the areas in which insulating materials are used?
2. List the classes in which insulating materials are classified based on Temperature?
3. Give two examples of insulating materials in each of the above classes.
4. List four important characteristics of a good insulating material.
5. Classify the forms/shapes in which the insulating materials are used?
6. List some of the insulation materials in which sleeves are made?

Part - D

Answer the following question in one page level

(10 Marks)

1. Discuss about the properties of any four insulating materials used in coil winding of Electric motors.
2. What are differences between Thermoplastic and thermosetting plastics? Discuss the properties of any two materials from each category.

2. WINDING WIRE

2.1 INTRODUCTION

Winding wire is solid wire, which, to allow closer winding when making electromagnetic coils, is insulated only with varnish, rather than the thicker plastic or other insulation commonly used on electrical wire. It is used for the winding of electric motors, transformers, inductors, generators, speaker coils, etc.

A wire is a single, usually cylindrical or rectangular cross-section, length of metal. Wires are used to carry electricity and telecommunications signals. Wire is generally formed by drawing the metal through a hole in a die or draw plate. Standard sizes are determined by various wire gauges. The term wire is also used more loosely to refer to a bundle of such strands, as in 'multistranded wire', which is more correctly termed a wire rope in mechanics, or a cable in electricity.

The metals must in the first place be ductile and strong in tension, the quality on which the utility of wire principally depends. The metals suitable for wire, possessing almost equal ductility, are platinum, silver, iron, copper, aluminium and gold; and it is only from these and certain of their alloys with other metals, principally brass and bronze, that wire is prepared. By careful treatment extremely thin wire can be produced. Copper wires could be plated with other metals, such as tin, nickel, and silver to handle different temperatures, provide lubrication, provide easier stripping of rubber from copper. Wire used to carry electricity is made up of materials having very low resistivity such as pure copper or aluminium.

2.2 PROPERTIES OF CONDUCTORS

Electrical Properties: 1) The conductivity must be good. 2) Electrical energy dissipated in the form of heat must be low. 3) Resistivity must be low 4) Temperature resistance ratio must be low.

Mechanical Properties: 1) Good Ductivity: It is that property of a material which allows it to be drawn into a wire. 2) Solderability: The joint should have minimum contact resistance. 3) Resistance to corrosion: Should not get rusted when used outdoors. 4) Withstand stress and strain. 5) Easy to fabricate.

Economical Factors: 1) Low cost 2) Easily available 3) Easy to manufacture

Characteristics of a Good Conductor Material: The conductor materials should have low resistivity so that any amount of power can be transmitted without much loss in the conductor.

2.3 THE CHOICE OF A CONDUCTOR MATERIAL DEPENDS ON THE FOLLOWING

FACTORS: 1) Resistivity of the materials 2) Temperature coefficient of resistance 3) Resistance against corrosion 4) Oxidation characteristics 5) Ease of soldering and welding 6) Ductility 7) Mechanical strength 8) Flexibility and abundance 9) Durability and low cost 10) Resistance to chemicals and weather

Commonly Used Conductor Materials: Copper and Aluminium

Copper: 1) Pure copper is one of the best conductors of electricity and its conductivity is highly

sensitive to impurities. 2) It is reddish-brown in colour. 3) It is malleable and ductile. 4) It can be welded at red heat. 5) It is highly resistant to corrosion. 6) Melting point is 1084°C 7) Specific gravity of copper is 8.9. 8) Electrical resistivity is 1.682 micro ohm cm. 9) Its tensile strength varies from 3 to 4.7 tonnes/cm². 10) It forms important alloys like bronze and gun-metal.

Copper is very widely used in wires, cables, windings of generators and transformers, overhead conductors, busbars. Hard (cold-drawn) copper conductor is mechanically strong with tensile strength of 40 kg/mm². It is obtained by drawing cold copper bars into conductor length. It is used for overhead line conductors and busbars. Annealed copper(Soft Copper) conductor is mechanically weak having a tensile strength of 20 kg/mm². It can be easily shaped into any form. Low-resistivity Hard Copper is used in power cables, windings, and coils as an insulated conductor. It has high flexibility and high conductivity.

Aluminium : 1) Pure aluminium has silvery colour and polish. It offers high resistance to corrosion. 2) Its electrical conductivity is next only to that of copper. 3) It is ductile and malleable. 4) Its electrical resistivity is 2.669 μΩ- cm (micro ohm- cm) at 20°C 5) It is good conductor of heat and electricity. 6) Its specific gravity is 2.7. 7) Its melting point is 658°C. 8) It forms useful alloys with iron, copper, zinc and other metals. 9) It cannot be soldered or welded easily.

Aluminium is most often used as overhead transmission conductors, busbars, ACRS conductors. Well suited for cold climate.

Comparison of Copper and Aluminium as conductors for Power Transmission Lines:

Copper	Aluminium
1. Metal is costly	Metal is cheap
2. 100 per cent conductivity	75 per cent conductivity
3. Good resistance to corrosion	Good resistance to corrosion
4. Heavier as compared to aluminium	Lighter as compared to copper
5. Good ductility and malleability	Good ductility and malleability
6. Excellent soldering and welding capacity	Poor solderability and weldability
7. Less suited for low temperature	Well suited to cold climate
8. Very small cross-section can carry heavy current	Cross-section should be 50 percent more to carry the same current as that of copper.
9. Because of softness and flexibility, it can easily be twisted repeatedly.	Due to brittleness, cannot be twisted.
10. The wind pressure and weight of snow is less because of smaller cross-section.	The wind pressure and weight of snow is more because of higher cross-section.

2.4 ENAMELLED WIRE: Enamelled wire is a wire coated with a very thin insulating layer. The core material ('wire') is copper or aluminum, coated with a thin layer of a polyurethane, polyamide, or polyester resin - called as "enamel".

The thin layer of insulation coated on **Enamelled wire**, prevents the wire surfaces from being in a short circuit when wound into coils. It is used mainly in the construction of motors, electromagnets, transformers and inductors. For ease of manufacturing inductive components like transformers and inductors, most new enamelled wire has enamel that acts as a flux when burnt during soldering. This means that the electrical connections at the ends can be made without stripping off the insulation first. Older enamelled copper wires normally require sandpapering or scraping to remove the insulation before soldering.

Enamelled wires are classified by their diameter (as SWG number) or area (square millimetres), temperature class and insulation class. Enameled wires are manufactured in both round and rectangular shapes. Rectangular wire is used in larger machine windings to make the most efficient use of available winding space.

Breakdown voltage depends on the thickness of the covering, which can be of 3 types: Grade 1, Grade 2 and Grade 3. Higher grades have thicker insulation and thus higher breakdown voltages. The temperature class indicates the temperature of the wire at which it can have a 20,000 hour service life. At lower temperatures the service life of the wire is longer (about a factor 2 for every 10 °C lower temperature). Common temperature classes are 120, 155 and 180 °C.

Table 2.1 Standard wire gauge and equivalent sizes in mm and inch.

S. W. G. Gauge No.	Standard Wire Gauge S. W. G.			S. W. G. Gauge No.	Standard Wire Gauge S. W. G.		
	Inch	mm	Area mm ²		Inch	mm	Area mm ²
0	0.324	8.230	53.17	26	0.018	0.457	0.164
1	0.300	7.620	45.6	27	0.016	0.417	0.136
2	0.276	7.010	38.6	28	0.015	0.376	0.111
3	0.252	6.401	32.2	29	0.014	0.345	0.0937
4	0.232	5.893	27.3	30	0.012	0.315	0.0779
5	0.212	5.385	22.8	31	0.012	0.295	0.0682
6	0.192	4.877	18.7	32	0.011	0.274	0.0591
7	0.176	4.470	15.7	33	0.010	0.254	0.0507
8	0.160	4.064	13.0	34	0.009	0.234	0.0429
9	0.144	3.658	10.5	35	0.008	0.213	0.0357
10	0.128	3.251	8.3	36	0.008	0.193	0.0293
11	0.116	2.946	6.82	37	0.007	0.173	0.0234
12	0.104	2.642	5.48	38	0.006	0.152	0.0182

13	0.092	2.337	4.29	39	0.005	0.132	0.0137
14	0.080	2.032	3.24	40	0.005	0.122	0.0117
15	0.072	1.829	2.63	41	0.004	0.112	0.0098
16	0.064	1.626	2.07	42	0.004	0.102	0.0082
17	0.056	1.422	1.59	43	0.004	0.091	0.0065
18	0.048	1.219	1.17	44	0.003	0.081	0.0636
19	0.040	1.016	0.811	45	0.003	0.071	0.0557
20	0.036	0.914	0.657	46	0.002	0.061	0.0479
21	0.032	0.813	0.519	47	0.002	0.051	0.0400
22	0.028	0.711	0.397	48	0.002	0.041	0.0322
23	0.024	0.610	0.292	49	0.001	0.030	0.0236
24	0.022	0.559	0.245	50	0.001	0.025	0.0196
25	0.020	0.508	0.203	BASIS : IS 13730-0-1/IEC 317-0-1			

2.5 GRADES OF COPPER ENAMELLED WINDING WIRES :

1. Solderable Polyurethane Enamelled Round Copper Wire, Class 130, with a Bonding Layer
2. Solderable polyurethane enamelled round copper wire. It has thermal capacity of 120°C, 130°C and 155°C. The diameter ranges from 0.08 mm to 1.00 mm and can be used in Transformers, Meters, Electronic and Communication Devices.
3. Polyimide-imide enamelled round copper wire, Class 200
4. Paper Covered Rectangular Copper Wire
5. Polyesterimide enamelled rectangular copper wire. It has Thermal Capacity of 180°C. This type of enamel wire are used in High Power Motors.
6. Polyester or Polyesterimide Overcoated with Polyamide-imide Enamelled Copper Wire. With thermal capacity of 200°C and diameter range from 0.1mm to 1.6mm , they are used in Microwave oven, Transformer and Air-conditioning Motors.
7. Polyester Enamelled Round Copper Wire, Class 155. Polyester Enamel wire can be used in Motors for Household Application and Appliances.
8. Glass-fibre Wound, Polyester or Polyesterimide Varnish-treated, Bare or enamelled rectangular copper wire, temperature index 180
9. Glass-fibre wound, polyester or polyesterimide varnish-treated, bare or enamelled rectangular copper wire, temperature index 155
10. Glass-fibre wound, silicone varnish treated bare or enamelled rectangular copper wire, temperature index 200
11. Polyester Enamelled Round Copper Wire, class 130 L
12. Glass-fibre braided, polyester or polyesterimide varnish-treated, bare or enamelled rectangular copper wire, temperature index 180
13. Aromatic polyimide tape wrapped round copper wires, Class 240
14. Aromatic polyimide tape wrapped rectangular Copper wire, Class 240

Table 2.2 showing increase in dimensions due to enamel (synthetic) covering

Grade of covering	Minimum increase (mm)	Maximum increase (mm)
Fine	0.035	0.060
Medium	0.060	0.100
Thick	0.100	0.150

2.6 PROPERTIES OF ENAMELLED WIRES : Excellent dielectric strength. Very low dissipation factor, remaining reasonably constant at high frequencies or under humid conditions. No mechanical or chemical stripping required. Adequate ventilation required when tinning or soldering. Thermoplastic flow temperature not less than 320°C, Smooth Glossy surface finish, Chemically very stable, resists extraction with R22, methanol trichloroethylene and perchlorethylene. Usable in hermetically sealed coils Excellent stability with a heat shock of not less than 205°C. Good resistance to abrasion. Good flexibility and adhesion to the conductor Smaller coefficient of friction, Higher mechanical intensity, Excellent heat resistance. Good solderability.

Limitations : Insulation properties downgraded over 200°C. Prone to hydrolysis if used in hermetic systems or encapsulations when in the presence of cellulosic materials or moisture. Prolonged contact with aggressive solvents (e.g. keytones, alcohol) may cause enamel softening.

2.7 TYPES AND SHAPES OF WINDING WIRES: The winding wires used in electrical motors are classified as follows. 1) Round wires 2) Rectangular straps 3) Stranded wires

1. Round Wires: It has thin and thick conductors and are used in semi-closed slot type motors and mush winding rotors. It is wound in reels and available in Kilograms.

2. Rectangular straps: It is used in open type slot motors. These conductors are available as long straps in meters. They are used in the following places. 1) Low voltage motor windings. 2) Used as conductor in high current motor. 3) Series field motor winding coils.

3. Stranded wires: Stranded wire is composed of a bundle of small-gauge wires to make a larger conductor. Stranded wire is more flexible than solid wire of the same total cross-sectional area. Stranded wire is used whenever ease of bending or repeated bending are required. Such situations include connections between circuit boards in printed-circuit-board devices, where the rigidity of solid wire would produce too much stress as a result of movement during assembly or servicing; A.C. line cords for appliances; musical instrument cables; computer mouse cables; welding electrode cables; control cables connecting moving machine parts; mining machine cables; trailing machine cables; and numerous others. 1) Cotton covered insulating wire 2) Silk covered insulating wire 3) Paper insulated wire 4) Varnish coated glass paper covered wire 5) Enamel coated round shaped wire.

Note: Usage of alternate sizes

1. If rewinding is done, use the existing winding wire gauge number for the new winding. Sometimes if same gauge winding wire is not available then we can use the 2 runs of wire each having half of the area of cross section of the original one.

Table 2.3 A sample of gauge No.s and its equivalent are given in the following table.

Standard Gauge Number	Equivalent Gauge Number and runs	Standard Gauge Number	Equivalent Gauge Number and runs
10	Two runs of 13 SWG	19	Two runs of 22 SWG
12	Two runs of 15 SWG	19	Two runs of 25 SWG
14	Two runs of 17 SWG	19	Two runs of 27 SWG
17	Two runs of 20 SWG	19	Two runs of 28 SWG

2. Area of Cross-section of one particular wire gauge number is two times more than that of gauge number, when increased by three. For example area of cross-section for 17 gauge wire is approximately two times more than that of 20 gauge wires. If 17 gauge wire is not available then we use two 20 gauge wires.
3. When 20 gauge and 17 gauge wires are used for particular length, then the weight of 17 gauge wire is double as that of the weight of the 20 gauge wire, because weight is directly proportional to the area of cross-section of the wire.
4. Resistance of the winding wire is indirectly proportional to the cross-sectional area of the wire. Therefore, the resistance of 17 gauge wire is half of the resistance value of 20 gauge wire.
5. Resistance of winding is measured in two methods.
 - (i) By using multimeter, the resistance of the winding is directly measured in ohms or kilo ohms.
 - (ii) 15 to 20% value of the rated voltage is applied by using auto transformer to each phase of three phase winding. Then current in each phase is measured and then the resistance of the winding is calculated.

Table 2.4 Resistance value of Copper and Aluminum wires

Cross sectional area mm ²	Cross sectional area inch ²	Approx S.W.G No.	Copper wt.kgm per km	Resistance ohm/ km. at 20°C	Aluminum weight Kgm / km	Resistance at 20°C ohm/km
1 mm ²	0.00155	18	8.89	17.86	2.7	30.3
1.5 mm ²	0.00230	17	13.34	11.91	4.04	20.2
2.5 mm ²	0.0038	15	22.33	7.144	6.74	12.12
4 mm ²	0.0062	13	35.56	4.46	10.8	7.575
6 mm ²	0.0093	11	53.34	2.977	16.2	5.05
10 mm ²	0.0155	9	88.90	1.786	27	3.03

2.8 GAUGE PLATE: The sizes of wire are estimated by a device, called gauges, which consist of plates of circular or oblong form having notches of different widths around their edges. Each notch is stamped with a number, and the wire which just fits a given notch, is stated to be of, say, No. 10, 11, 12, etc., of the wire gauge.

The circular forms of wire gauge measurement devices are the most popular, and are generally 3 3/4 inch. (95 mm) in diameter, with thirty-six notches; may have the decimal equivalents of the sizes stamped on the back. Oblong plates are similarly notched. Many gauges are made with a wedge-like slot into which the wire is thrust; one edge being graduated, the point at which the movement of the wire is arrested gives its size. The graduations are those of standard wire, or in thousandths of an inch. In some cases both edges are graduated differently to serve for comparison between two systems of measurement. A few gauges are made with holes into which the wire has to be thrust. All gauges are hardened and ground to dimensions.



Fig. 2.1 - Gauge plate

In some applications wire sizes are specified as the cross sectional area of the wire, usually in mm². Advantages of this system include the ability to readily calculate the physical dimensions or weight of wire, ability to take account of non-circular wire, and ease of calculation of electrical properties. This determines the amount of electric current a wire can safely carry, as well as its electrical resistance and weight per unit of length. Wire gauge is applicable to both electrical and non-electrical wires, mostly used in electrical wiring.

The basis being the mil. No. 7/0, the largest size, is 0.50 in. (500 mils or 12.7 mm) in diameter, and the smallest, No. 50, is 0.001 in. (1 mil or about 25 μm) in diameter. Between these, the diameter, or thickness, decreases by 10.557%, and the weight reduces by 20%. The 'mil' denotes one thousandth part of an inch (more commonly denoted as 'thou'). The circular mil is the equivalent area of a circle whose diameter is 0.001" (10⁻³) inch.

This can also be expressed as the diameter in thousandths of an inch raised to the power 2 and may or may not be rounded to the nearest ten. The circular mil is an old unit of cross sectional area, used for denoting the cross-sectional size of an electrical conductor or cable.

QUESTIONS

Part - A

Choose the Correct Answer

(1 Mark)

- To transfer power without much loss of power, the conductor material should be
 - Very light
 - very strong
 - have very low resistance
 - have very low weight.
- Copper is very widely used in electrical wires because,
 - It has high conductivity,
 - it has high tensile strength,
 - It is very flexible,
 - it is good conductor of heat.
 - (i) (iii) & (iv)
 - (i),(ii),(iii)
 - (ii), (iii)& (iv)
 - (i), (ii) & (iv)
- Enameled wire has very thin coating of varnish over copper or aluminium wire. This thin layer of coating acts as
 - protective coating against rusting
 - protective coating against heat
 - protective coating of insulation
 - coating to give good appearance
- Enamel covering on the conductor wires cannot withstand for long the effects of
 - current
 - voltage
 - moisture
 - certain solvents
- Stranded wires are
 - thick wires
 - thin wire
 - bundle of thin wires
 - insulated cables.

Part - B

Answer the following questions in one or two words

(1 Mark)

- Which property allows the material to be drawn into thin wires?
- Which type of copper conductor is called hard copper?
- Where aluminum conductors are widely used?
- Which one has higher resistivity for the given length. Copper or Aluminium?
- For a given amount of conductor length if the copper is said to have 100 % conductivity, what would be conductivity of aluminium conductor of similar dimensions?
- What is the expected service life in hours of the wire for the given temperature class?

7. Enamelled wires should not be used beyond this temperature. What it is?
8. If during rewinding same gauge winding wire is not available then we can use several runs of lesser gauge wire in place of previous one. Which parameter should be same in both the cases?
9. What is the equivalent size in mm for 1 mil?
10. What is the name of the plate which is used to find the size of wires?

Part - C

Answer the following question briefly

(4 Marks)

1. What is meant by conductor?
2. In which type of motors rectangle conductors are used?
3. What is meant by flexible wire?
4. What are the three types of enamel thickness?

Part - D

Answer the following question in one page level

(10 Marks)

1. What are the advantages of using copper as winding wire?
2. What are the properties needed for winding wire?
3. Explain the method to find the winding wire gauge number with the gauge plate.
4. State any ten properties of Enamel coating of the wires.

3. DETAILS OF WINDING

3.1 DETAILS ABOUT THE WINDING COIL

A length of wire lying in the magnetic field and in which an emf is induced is called a coil. The coils used in windings are shown in Fig. 3.1.

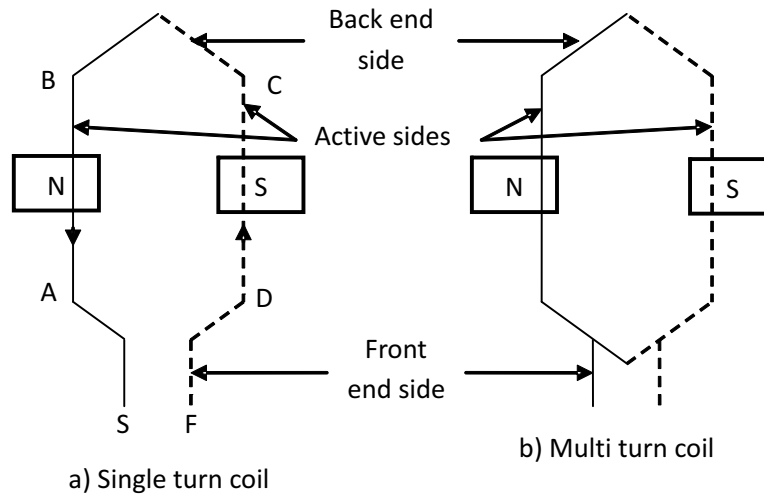


Fig.3.1 - Winding Coil representation

Fig. 3.1 (a) represents a coil with only one turn in it. Each coil has active and inactive sides. A coil can in general have any number of turns. A single turn/coil has two active sides, or otherwise called as conductors. Similarly, a two turn coil has four conductors and a three turn coil has 6 conductors. Generally, the total number of conductors per coil,

$$Z_c = 2T \quad 3.1$$

and, the total number of conductors for a given machine

$$Z = Z_c C \quad 3.2$$

where Z_c = total number of conductors per coil

C = number of coils

Z = total number of conductors

T = number of turns per coil

Fig, 3.1 (b) represents multi turn coil.

Active side of a coil : It is the part of a coil which lies in the slots under a magnetic pole and emf is induced in this part only. In Fig. 3.1 (a), coil sides AB and CD are called as active sides. For a double layer winding, one half portion of the coil drawn with solid line corresponds to the coil side lying on the top of a slot, and the dotted line corresponds to the coil side lying in the bottom layer of another slot. This type of representation is used for double layer winding. For a single layer winding, the complete coil is represented by a solid line.

Inactive side of a coil : The inactive side of a coil consists of two portions, namely the front end side and the back end side. In Fig. 3.1 (a), the portion of the conductor which joins the two active sides and placed around the core, is called the back end side of the coil. The portions which are used to connect other coils are called front end side. These ends have two leads called as

starting end S and finishing end F of a coil. In Fig. 3.1 (a), AD and BC represents the inactive sides of a coil.

Coil Groups : One or more coils connected in series are called coil groups, as shown in Fig. 3.2. The number of coil groups is equal to the number of poles. In Fig. 3.2, there are four coil groups, which are equal to four numbers of poles. For AC winding, the total number of coil groups depends upon the number of poles and the number of phases.

$$\therefore \text{the total number of Coil groups} = mP \quad 3.3$$

$$\text{Also, total number of coil groups/phase} = \frac{\text{Number of coil groups}}{\text{Number of phases}} = \frac{mP}{m} \quad 3.4$$

where m = number of phases

P = number of poles.

Example 3.1: Find the total number of coil groups for a 3 phase 6 pole machine.

Solution From equation 3.3, coil groups = $mP = 3 \times 6 = 18$.

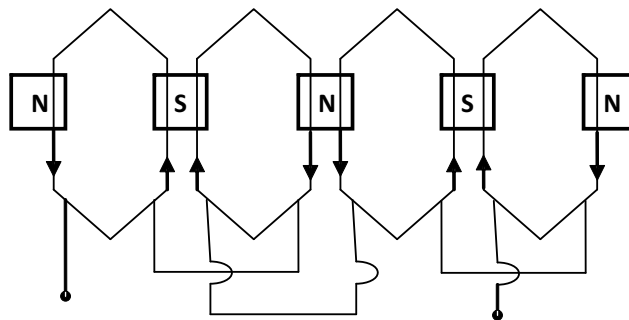


Fig.3.2 - Coil groups

Pole Pitch : It is the distance between the centres of two adjacent opposite poles. It is measured in terms of slots.

$$\text{One pole pitch} = \frac{\text{Number of slots}}{\text{Number of Poles}} = \frac{S}{p} = 180^{\circ}_{\text{ed}} \text{ or } 180^{\circ}_{\text{e}} \quad 3.5$$

where S = number of slots

ed = electrical degree

Example 3.2 : Calculate the pole pitch for a three phase 4 pole ac machine having 36 stator slots.

Solution From equation 3.5, pole pitch = $\frac{S}{P} = \frac{36}{4} = 9$

Coil Span or coil pitch : It is the distance between the two active sides of the same coil under adjacent opposite poles. It is expressed in terms of number of slots per pole or electrical degrees.

Full pitch coil : A coil having a coil span equal to 180°_{ed} is called a full pitch coil, as shown in Fig. 3.3 (a).

Short pitch coil : A coil having a coil span less than 180°_{ed} by an angle $\hat{\alpha}$, is called a short pitch coil, or fractional pitch coil, as shown in Fig. 3.3 (b). It is also called a chorded coil.

$$\hat{\alpha} = 0 \text{ for full pitch winding} \quad 3.6$$

$$\hat{a} = x\hat{\alpha} \text{ for short pitch winding} \quad 3.7$$

$$\text{Also } \hat{a} = \frac{180}{S/p} \quad 3.8$$

where \hat{a} = short pitch angle or an angle less than 180°

$\hat{\alpha}$ = angle between adjacent slots

$x = 1, 2, 3, \dots$ an integer

Example 3.3 : Find the angle between adjacent slots of a 3 phase, 6 pole motor having 36 slots.

Solution : Slots per pole = $\frac{36}{6} = 6$ From equation 3.8, $\hat{a} = \frac{180}{S/p} = 30^\circ$

Pitch Factor or coil span factor or chording factor, K_p : When the two sides of the same coil are short pitched by an angle \hat{a} , as shown in Fig. 3.3 (b), the emf induced in the two coil sides have a phase angle difference of \hat{a}° . Due to phase angle difference, the actual emf is reduced by a factor $\cos \frac{\alpha}{2}$ and is called pitch factor or coil span factor or chording factor.

$$K_p = \cos \frac{\alpha}{2} \quad 3.9$$

Example 3.4 : Find the pitch factor for a 3 phase 4 pole ac machine wound in 36 slots with a coil span of 140° .

Solution: From Fig. 3.3 (b), short pitch angle, $\hat{a} = 180^\circ - 140^\circ = 40^\circ$. From equation 3.9, $K_p = \cos \left(\frac{\alpha}{2} \right) = \cos \left(\frac{40}{2} \right) = 0.94$

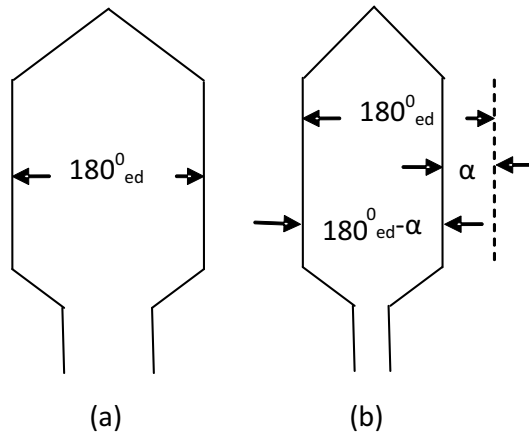


Fig.3.3 - Full Pitch and Short Pitch coils

Distribution Factor, K_d : It is defined as the ratio of phasor addition of emfs induced in all the coils distributed in m slots under one pole region to their arithmetic addition of emfs induced in all the coils distributed in m slots under one pole region.

$$K_d = \frac{\sin \left(\frac{m\beta}{2} \right)}{m \sin \left(\frac{\beta}{2} \right)} \quad 3.10$$

where $m = \frac{s}{3p}$ = number of slots per pole per phase 3.11

Example 3.5 : Compute the distribution factor for a 3 phase 4 pole ac machine wound in 36 slots with a coil span of 140° .

Solution : From equation 3.11, $m = \frac{36}{3 \times 4} = 3$ From equation 3.8, angle between adjacent slots,

$$\hat{\alpha} = \frac{180}{\frac{s}{p}} = \frac{180}{\frac{36}{4}} = 20^\circ. \text{ From equation 3.10, } K_d = 0.96$$

Winding Factor, K_w : It is defined as the product of pitch factor and distribution factor.

$$K_w = K_p K_d \tag{3.12}$$

Example 3.6 : Find the winding factor for the Example 3.5.

Solution : From equation 3.9, $K_p = \cos\left(\frac{\alpha}{2}\right) = \cos\left(\frac{40}{2}\right) = 0.94$

From equation 3.12, $K_w = K_p K_d = 0.96 \times 0.94 = 0.902$

Mechanical and Electrical degrees: Mechanical degree, θ_{md} is used for accounting the angle between two points on a circle/round object based on their mechanical or physical placement. Fig. 3.4 (a) shows four points A, B, C, and D marked around a circle. Taking point A as reference, ie., as 0° , point C is located exactly opposite to point A and is marked as 180° mechanical degree or simply 180° degrees. In between points A and C, points B and D are marked as 90° and 270° respectively. Point A is also marked as 360° , as it is the same point as the reference point, reached after going around circle once.

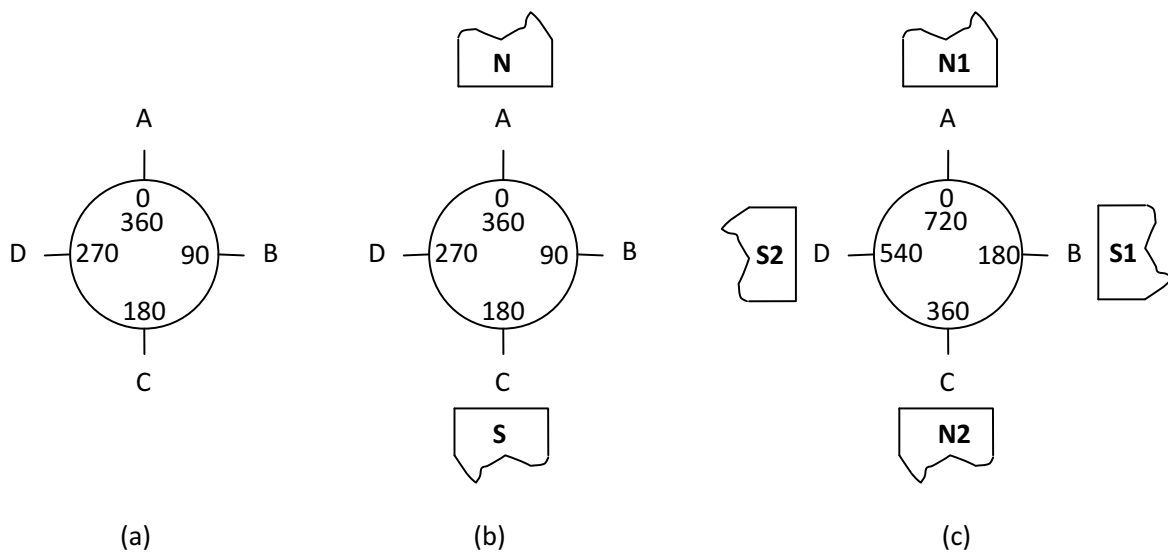


Fig.3.4 - Mechanical and Electrical Degrees

Electrical degree, q_{ed} is used for accounting the angle between two points in rotating electrical machines. Since all electrical machines operate with the help of magnetic fields, the electrical degree is used with reference to the polarity of the magnetic field. Consider a two pole machine, as shown in Fig. 3.4 (b). Point A is exactly under the North pole field and is selected as reference point with 0° . Point C is under the South pole and magnetically opposite to North pole. It is marked as 180°_{ed} or 180°_e . After one encircling, point A is reached and marked as 360°_{ed} or 360°_e . Fig. 3.4 (b) is identical to Fig. 3.4 (a), for a two pole machine.

Thus, mechanical degree in terms of poles $\theta_{md} = \frac{360}{P}$ 3.13

where θ_{md} = mechanical degree.

Mechanical degree in terms of slots $\beta_m = \frac{360}{S}$ 3.14

where \hat{a}_m = mechanical degree between adjacent slots, S = number of slots

Consider a 4 pole machine, as shown in Fig. 3.4 (c). Point A is under North pole N1 and marked as $0^\circ\epsilon$. Moving clockwise, point B is situated at 90°_{md} from point A. But point B is under South pole S1, which is magnetically opposite to N1. Hence, point B is marked as $180^\circ\epsilon$. Now, point C is under N2, which is 180°_{md} away from point A. Point C has the same magnetic polarity as that of point A, hence it is marked as $360^\circ\epsilon$. Point D under S2 is 270°_{md} from point A, and hence marked as $540^\circ\epsilon$, ie., $360^\circ\epsilon + 180^\circ\epsilon = 540^\circ\epsilon$. After one complete encircling, point A is reached again, and marked as $720^\circ\epsilon$, ie., $540^\circ\epsilon + 180^\circ\epsilon = 720^\circ\epsilon$.

The mechanical and electrical degrees defer one another from the point of reference. Thus, mechanical and electrical degrees are related by the number of poles, P.

$$\therefore \theta_{ed} = \frac{P}{2} \theta_{md} \quad 3.15$$

where θ_{ed} = electrical degree.

In terms of slots, $\beta = \frac{P}{2} \beta_m$ 3.16

where \hat{a} = electrical degree between adjacent slots.

Example 3.7: Find the mechanical and electrical degrees between adjacent poles for an 8 pole machine.

Solution: From equation 3.6, $\theta_{md} = \frac{360}{P} = \frac{360}{8} = 45^\circ$

From equation 3.8, $\theta_{ed} = \frac{P}{2} \theta_{md} = \frac{6}{2} 45^\circ = 180^\circ\epsilon$

Example 3.8 : Find the mechanical and electrical degrees between adjacent slots for a 6 pole machine having 54 slots.

Solution : From equation 3.7, $\beta_m = \frac{360}{S} = \frac{360}{54} = 10^\circ$

From equation 3.9, $\beta = \frac{P}{2} \beta_m = \frac{6}{2} 10 = 30^\circ\epsilon$

Numbering the coil sides in slots: For convenience in laying out the windings, for double layer windings, the coil sides forming the top layers in the slot are given odd numbers and those forming the bottom layers are given even numbers. The scheme of numbering the coil sides for two different double layer windings in slots are shown in Fig. 3.5.

For single layer winding, coil sides are numbered as shown in Fig. 3.6.

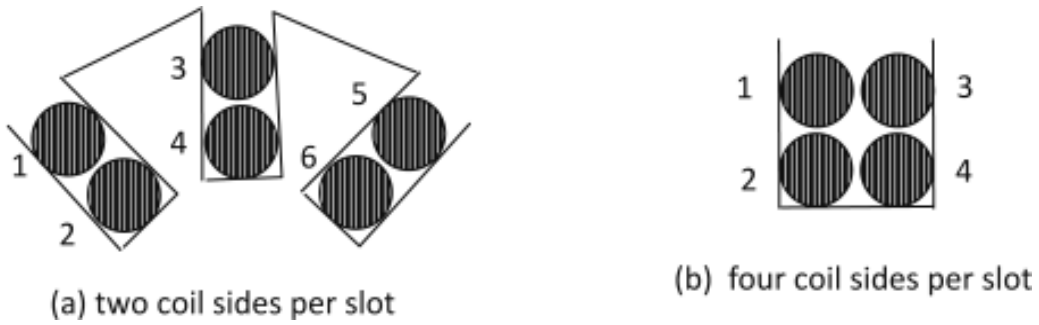
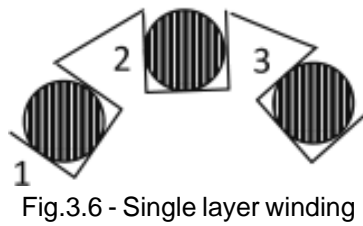


Fig.3.5 - Double layer windings



3.2 DIFFERENT SHAPE OF SLOTS : There are different shapes of slots used for electrical machines. The slots used in the stator of induction motors, may be completely open or semi-closed as shown in Fig. 3.7 (a).

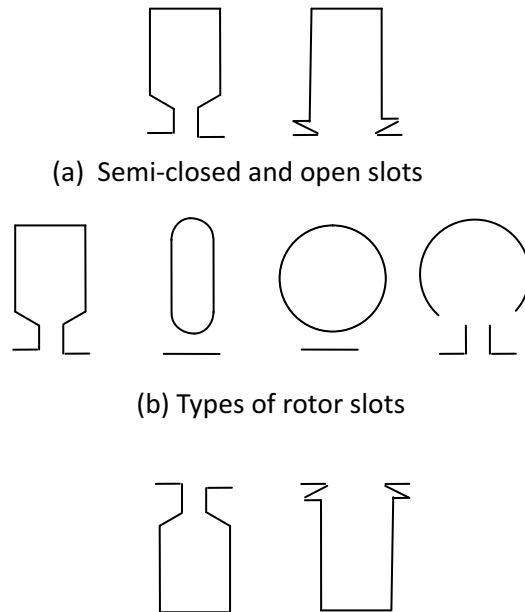


Fig.3.7 - Different shapes of slots

The types of rotor slots used for squirrel cage induction rotor may be either closed or semi-closed types as shown in Fig. 3.7 (b).

The slots used in the armature of dc machines, may be completely open or semi-closed as shown in Fig. 3.7 (c).

3.3 SLOT INSULATION : Materials used for slot insulation are leatheroid, mica, glass cloth, and flexible type of micanite. The type of slot insulation will vary according to the capacity of the machine.

Slot Liner : The slot liner is an insulation sheet cut to the inner dimensions of the slots and projected on either side of the slots. In some applications, the edges of the slot liner are folded on either end to prevent them from sliding in the slots, as shown in Fig. 3.8.

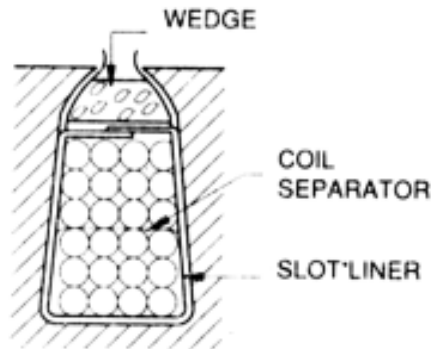


Fig.3.8 - Slot Insulation

Coil Separator : When multilayer windings are used, to insulate the winding layers from each other, coil separators are used, as shown in Fig. 3.8. They should be extended on either side of the slot.

Packing Strip : The thick insulation paper used in between the slot liner and wedge is called a packing strip, as shown in Fig. 3.8. This should extend beyond each end of the armature core.

Wedge : It is a solid insulation piece like bamboo or fibre used to prevent the conductors from coming out of the slots. It should be tightly held in the slots, as shown in Fig. 3.8.

3.4 COIL FORMATION : The annealed copper conductors, normally in round shape, are used for winding small and medium capacity electrical machines.

Field Coil Formation : Field coils are wound with insulated copper wire whose diameter and number of turns depend on the exciting voltage and machine capacity. The wire can be wound on a wooden former that consists of the inner dimensions of the coil.

Stator/rotor/armature Coil Formation : Diamond shaped wooden former is constructed to the required dimensions, length and width of the coil. The coils are wound over the former with the help of the coil winding machine. All coils are wound identically. The number of turns depends on the voltage rating of the machine where as the conductor size depends on the current rating.

3.5 REVOLVING (ROTOR) WINDING : The winding that rotates with either the rotor of an induction machine or the armature of a dc machine, is called a revolving winding.

3.6 STATIONARY (STATOR) WINDING : The winding wound either on the stator of an induction machine or on the field system of a dc machine is called a stationary winding.

3.7 DC ARMATURE WINDINGS : There are two types of dc armature windings, namely the lap and wave windings. For development of dc armature windings, few pitches related to the types of dc armature windings are Back pitch, Front pitch and Winding pitch.

Back Pitch, Y_b : It is the distance between the two active sides of the same coil under adjacent opposite poles. For double layer winding,

$$Y_b = \frac{2C}{P} \pm K \quad 3.17$$

where K = any integer or fraction, added or subtracted with $2C/P$, that will give the value of Y_b an odd integer.

Front Pitch, Y_f : It is the distance between two coil sides connected to the same commutator segment. It should be an odd integer.

Winding Pitch or Coil Pitch, Y : It is the distance between starting ends of two consecutive coils expressed in terms of coil sides.

For a double layer winding, winding pitch should be an even integer.

$$Y = + 2m \quad \text{for lap winding} \quad 3.18$$

$$Y = \frac{2C+2m}{\frac{P}{2}} \quad \text{for wave winding} \quad 3.19$$

where $m = 1, 2, 3$ for simplex, duplex and triplex windings respectively, $P =$ number of poles, and $C =$ number of coils. + sign indicates progressive winding and – sign indicates retrogressive winding.

3.8 LAP WINDING : When the finishing end of the first coil is connected to the starting end of the next coil which starts from the same pole, as shown in Fig. 3.9, where the first coil started is called as lap winding.

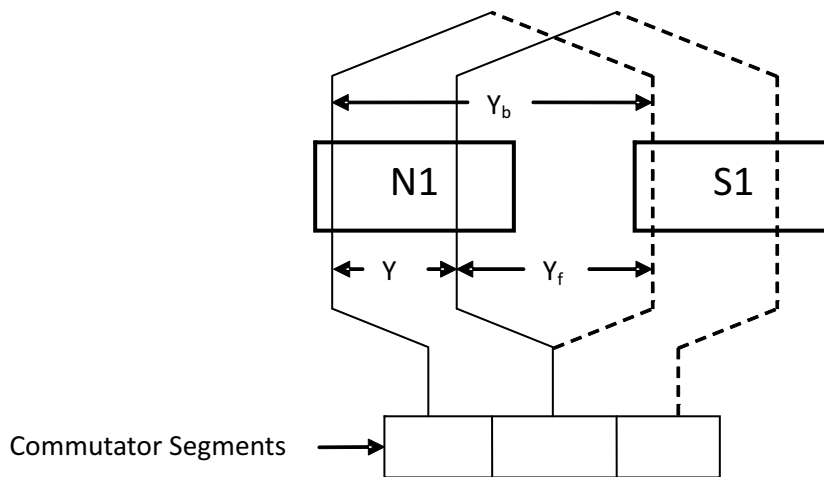


Fig.3.9 - Lap winding

From Fig. 3.9, for lap winding, the front pitch, $Y_f = Y_b - Y$ 3.20

Example 3.9 : Determine the back and front pitches for a 4 pole lap winding with 24 slots.

Solution : $P = 4, C = 24$, winding type = lap

From equation 3.17, the back pitch, $Y_b = \frac{2C}{P} + K = \frac{2 \times 24}{4} + K = 12 + K = 11 \text{ or } 13$
(odd integer)

From equation 3.18 the winding pitch, $Y = +2 = 2$ (even integer)

From Fig. 3.9 or from equation 3.20, front pitch, $Y_f = 11 - 2 = 9$ or $13 - 2 = 11$ (odd integer).

3.9 WAVE WINDING: When the finishing end of the first coil is connected to the starting end of the next coil, as shown in Fig. 3.10, which starts from the next adjacent pole where the first coil started is known as wave winding.

From Fig. 3.10, for wave winding, the front pitch, $Y_f = Y - Y_b$ 3.21

Example 3.10 : Determine the back and front pitches for a 4 pole wave winding with 25 slots.

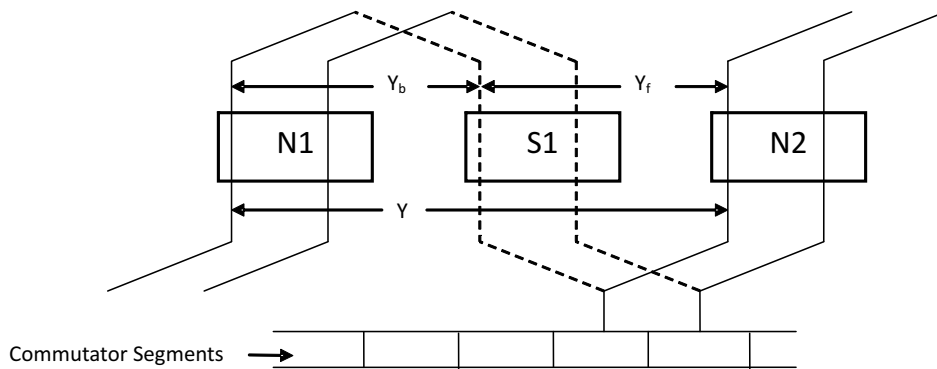


Fig.3.10 - Wave winding

Solution : $P = 4$, $C = 25$, winding type = wave

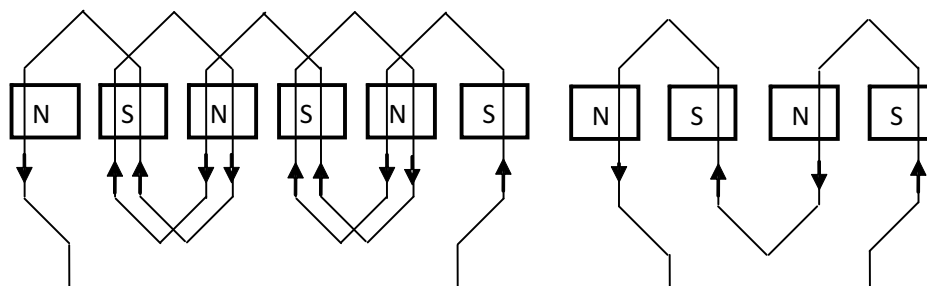
From equation 3.17, the back pitch, $Y_b = \frac{2C}{P} + K = \frac{2 \times 25}{4} + K = 12.5 + K = 13$ (odd integer)

From equation 3.19, the winding pitch, $Y = \frac{2C+2}{\frac{P}{2}} = \frac{2 \times 25 + 2}{\frac{4}{2}} = 26$ (even integer)

From Fig. 3.10 or from equation 3.21, front pitch, $Y_f = 26 - 13 = 13$ (odd integer).

3.10 WHOLE COIL WINDING : A whole coil winding is one in which the number of coils per phase is equal to the number of poles in the machines. In this type of winding, as shown in Fig. 3.11 (a), each slot contains two coil sides. It is not, however, strictly a double layer winding, as the coil sides are placed side by side and not one above the other.

3.11 HALF COIL WINDING : It is that winding in which the number of coils per phase is equal to



(a) Whole coil winding

(b) Half coil winding

Fig.3.11 - Representation of whole coil and half coil

half the number of poles in the machines, as shown in Fig. 3.11 (b). In this type, however, each coil may have twice the number of turns of a whole coil winding or two coils under a north or south pole of the latter type may be connected in series and taped together to form one coil. The main difference between full coil and half coil windings is in the method of making the end connections for the coils.

3.12 CONCENTRATED WINDING : If in any winding, the number of coils/pole/phase is one, then the winding is known as concentrated winding. In this winding, each coil side occupies one slot.

3.13 DISTRIBUTED WINDING : In this winding, number of coils/pole/phase is more than one arranged in different slots and is known as distributed winding. In this case, each coil has same pole pitch.

Unbalanced winding : If each pole of the same phase has unequal number of coils, then the winding is called as unbalanced winding.

One Slot winding : In this type of winding, the slot per pole per phase will be equal to one.

Example 3.11 : For a 3 phase, 18 slots, and 6 pole machine

$$\text{Slots per pole per phase} = \frac{18}{3 \times 6} = 1.$$

Two slot winding : In this type of winding, the slots per pole per phase will be equal to two.

Example 3.12 : For a 3 phase, 48 slots, and 8 pole machine

$$\text{Slots per pole per phase} = \frac{48}{3 \times 8} = 2.$$

3.14 SINGLE LAYER WINDING : In this type of winding, as shown in Fig. 3.12 (a), each slot contains only one coil side. It means a coil occupies two complete slots. The number of coils in the machine is equal to half the number of slots in the stator, or rotor and armature.

3.15 DOUBLE LAYER WINDING : In this type, as shown in Fig. 3.12 (b), each slot contains two coil sides, housed one over the other. The number of coils is equal to the number of slots in the stator and armature.

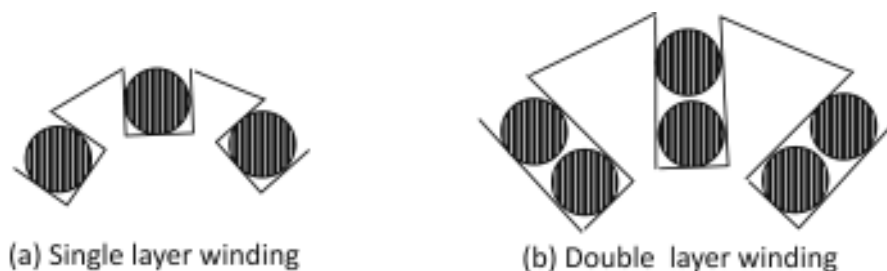


Fig.3.12 - Single layer and double layer winding

3.16 SINGLE PHASE WINDING : The winding has only one group of coils per pole, placed in one slot or several slots depending upon whether or not the winding is concentrated or distributed.

3.17 THREE PHASE WINDING : For three phase windings, three single phase windings are used, spaced 120 degrees apart.

3.18 CONCENTRIC WINDING : Concentric windings are single layer windings. This winding has two or more than two coils in a group and the coils in each group have the same centre. In each group, the coil pitch is not equal and therefore do not overlap each other, as shown in Fig. 3.12. The coil span of the individual coils is different. The coil span is more than a pole pitch while the span of others is equal to or less than the pole pitch. These windings are so designed that the effective coil span of the winding is equal to that of a winding as a full pitch winding with some of the coils having a span greater than a pole pitch, some with less than a pole pitch but an effective span which makes the winding behave as if it had full pitched coils.

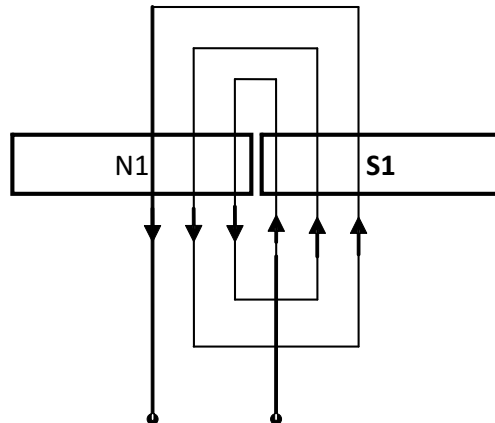


Fig.3.14 - Concentric Winding

3.19 CHAIN WINDING: In this winding, the number of coils/pole/phase is more than one having different pitches and the coils overlap each other in the form of a chain.

QUESTIONS

Part - A

Choose the Correct Answer

(1 Mark)

- The back pitch for a 4 pole, 12 slot simplex lap connected dc machine is
 A) 1, 0 B) 3, 1 C) 5, 3 D) 7, 5
- The slots per pole of a 4 pole 25 slot simplex wave connected dc machine is
 A) $6 \frac{1}{4}$ B) 24 C) $4 \frac{1}{6}$ D) 6
- The coils under two adjacent poles forming one coil group and one coil group per pair of poles is called as
 A) distributed winding B) mush winding C) chain winding D) concentric winding
- The product of pitch factor and distribution factor is
 A) front pitch B) winding factor C) back pitch D) coil pitch
- The mechanical degree between adjacent poles in a 6 pole electrical machine is
 A) 180° B) 180° C) 60° D) 60°

6. The electrical degree between adjacent slots for a 4 pole machine having 36 stator slots is
 A) 10° B) $10^\circ\epsilon$ C) 20° D) $20^\circ\epsilon$
7. The short pitch angle, α , of a 4 pole 3 phase winding ac machine wound with a coil span of $140^\circ\epsilon$ is
 A) $40^\circ\epsilon$ B) $180^\circ\epsilon$ C) $90^\circ\epsilon$ D) $60^\circ\epsilon$
8. In three phase winding, three single phase windings are _____ apart.
 A) $180^\circ\epsilon$ B) $120^\circ\epsilon$ C) $90^\circ\epsilon$ D) $60^\circ\epsilon$
9. If each pole of the same phase has unequal number of coils, then the winding is called as
 A) balanced winding B) one slot winding C) unbalanced winding D) two slot winding
10. If the slots per pole per phase are equal to two, then the type of winding is called as
 A) one slot winding B) balanced winding C) unbalanced winding D) two slot winding

Part - B

Answer the following questions in one or two words

(1 Mark)

1. Name the two sides of a coil.
2. Write the formulae for the total number of conductors of a given machine.
3. When a coil is having a coil span equal to 180°_{ed} , what is it called as?
4. Name the two types of dc armature windings.
5. What is the angle between the three phase windings?

Part - C

Answer the following questions briefly

(4 Marks)

1. With a neat diagram, write the functions of each part of a single turn coil.
2. What are called as whole coil windings?
3. What are called as half coil windings?
4. Determine the back and front pitches for a 4 pole lap winding with 24 slots.
5. Determine the back and front pitches for a 4 pole wave winding with 25 slots.

Part - D

Answer the following questions in two page level

(20 Marks)

1. With a neat sketch, explain the different layers of insulation used in slots.
2. Draw simple lap and wave winding diagrams with different type of pitches marked in it.
3. Illustrate with neat diagrams, the placement of coils in a single layer and double layer windings and the numbering of coil sides in each type of windings.
4. Derive expressions for electrical and mechanical degrees in terms of poles and slots.

4. DEVELOPMENT OF WINDING - AC MACHINE

4.1 AC SINGLE PHASE WINDINGS

AC Lap Winding : Develop a single phase, single layer AC lap winding for a 4 pole AC machine having 24 slots.

Solution : In single layer winding, the number of coil is equal to half the number of slots on the stator, so that each slots contains only one coil side. Therefore, number of coils, $C = 12$

From equation 3.5, the pole pitch = $\frac{\text{Number of slots}}{\text{Number of Poles}} = \frac{24}{4} = 6$; and slots per pole per phase, $m = 24/4 \times 1 = 6$

Slots 1 to 6 and 13 to 18 lie under North pole regions N1 and N2 respectively. Similarly slots 7 to 12 and 19 to 24 lie under South pole regions S1 and S2 respectively. In other words, the first pole pair covers slots 1 to 12 and the second pole pair covers slots from 13 to 24.

For full pitch winding, angle between the two sides of the same coil is 180°_{ed} . 180°_{ed} corresponds to 6 slots.

Number of coils(or slots) per pole= 6.

The coil in slot no. 1 is to be connected to coil in slot no. (1 + slots per pole = 1 + 6 =) 7 or back pitch, $Y_b = 7$, ie., if slot no. 1 is at the beginning of the first North Pole, N1, the slot no. 7 will be at the beginning of the first South Pole, S1.

The winding pitch, $Y = +2$ (progressive winding)

Therefore, the front pitch, $Y_f = Y_b - Y = 5$.

Table 4.1 gives the complete winding table for 4 pole, 24 slot ac machine.

When the winding for one pole pair is completed then last coil side of this pair is connected to the first coil side of the next pole pair, ie., coil in slot no. 12 is connected in series with the coil in slot no. 13. Similarly, the winding for the second pole pair is completed.

Table 4.1 Single Phase AC Lap Winding Table

S.No.	- Y_f	+ Y_b
1	1	7
2	2	8
3	3	9
4	4	10
5	5	11
6	6	12
7	13	19
8	14	20
9	15	21
10	16	22
11	17	23
12	18	24

To draw the main winding diagram, solid lines of equal length and equal distance equal to number of slots is drawn. Connect the coils as per the Winding Table 4.1.

Arbitrarily assume a particular current direction to the coil sides under the pole pairs. For the coil sides under North Pole regions, assume downward current direction and vice versa for the South Pole regions, as shown in Fig. 4.1.

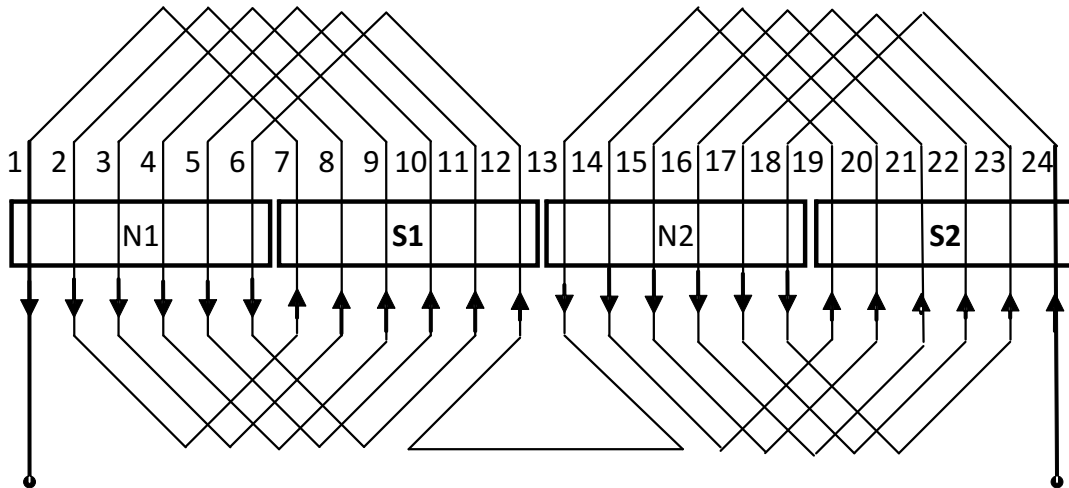


Fig.4.1 - Single Phase AC Lap Main Winding Diagram

AC Wave Winding : Develop a single phase, single layer wave winding for a 4 pole, 24 slot ac machine.

Solution : Number of coils, $C = 12$

From equation 3.5, the pole pitch = $\frac{\text{Number of slots}}{\text{Number of Poles}} = \frac{24}{4} = 6$; and slots per pole per phase, $m = \frac{6}{1} = 6$

Slots 1 to 6 and 13 to 18 lie under North pole regions N1 and N2 respectively. Similarly slots 7 to 12 and 19 to 24 lie under South pole regions S1 and S2 respectively. In other words, the first pole pair covers slots 1 to 12 and the second pole pair covers slots from 13 to 24.

For full pitch winding, angle between the two sides of the same coil is 180°_{ed} . 180°_{ed} corresponds to 6 slots.

For ac wave winding, back pitch, $Y_b = \text{number of coils(or slots) per pole} = 6 = \text{front pitch, } Y_f$.

If one side of the coil is placed in slot no. 1, the other side of the coil should be placed in slot no. $(1 + \text{slots per pole} = 1 + 6 =) 7$. The finishing end of the coil side at slot no. 7 is connected to the starting end of the coil side at slot no. $(7 + 6 =) 13$. Now the other side of the coil side at slot no. 13 is placed at slot no. $(13 + 6 =) 19$. Adding 6 to slot no. 19 gives 25, which is slot no. 1, i.e., $25 - 24 = 1$. But a coil side is already placed at slot no. 1. So add 1 and place the coil side at slot no. 2. Similarly, add turn by turn back pitch and front pitch and at the end of each round add $Y_b + 1$. Table 4.2 gives the complete winding table for a 4 pole 24 slot ac wave wound machine.

Table 4.2 Single Phase AC Wave Winding Table

S.No.	Y_f	Y_b
1	1	7
2	13	19
3	2	8
4	14	20
5	3	9
6	15	21
7	4	10
8	16	22
9	5	11
10	17	23
11	6	12
12	18	24

To draw the main winding diagram, solid lines of equal length and equal distance equal to number of slots is drawn. Connect the coils as per the Winding Table 4.2.

Arbitrarily assume a particular current direction to the coil sides under the pole pairs. For the coil sides under North Pole regions, assume downward current direction and vice versa for the South Pole regions, as shown in Fig. 4.2.

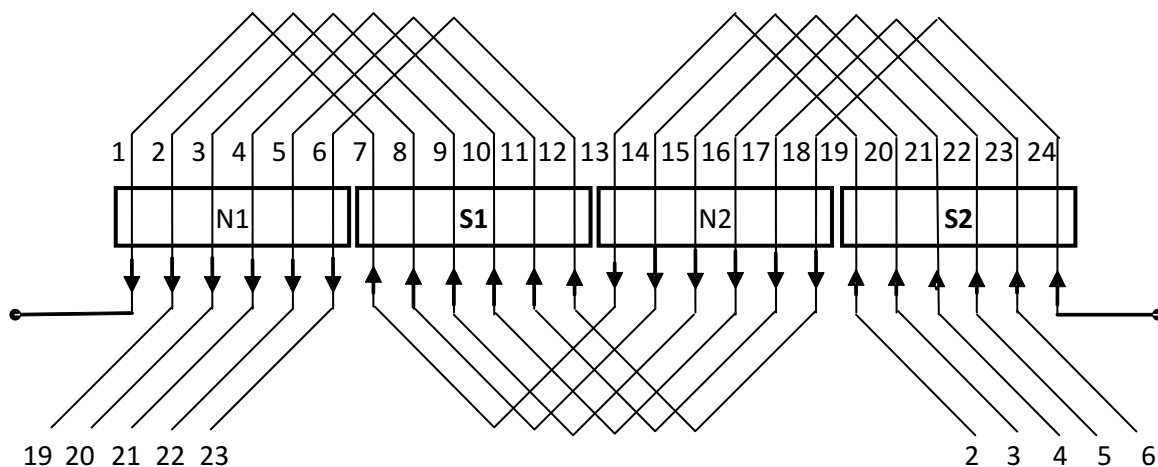


Fig. 4.2 - Single phase AC Wave Main Winding Diagram

Spiral or Concentric Winding : Develop a single phase single layer concentric winding for a 4 pole AC Machine having 24 slots.

Solution : From equation 3.5, pole pitch = $\frac{\text{slots}}{\text{Poles}} = \frac{24}{4} = 6$

The pitch for larger coil = $6 - 1 = 5$

The pitch for smallest coil = 1

Based on the rules, the winding is started from the starting end of the middle coil in the first North Pole, i.e., coil side 4. The back end of the coil side 4 is connected to the back end of the

coil side 9, ie., pitch for larger coil is added to coil side 4. The front end of the coil side 9 is connected to front side of coil side 5 to form concentric winding. Following the above procedure, Table 4.3 gives the complete winding table for 4 pole 24 slot AC Machine.

Table 4.3 Single Phase Concentric Winding Table

S.No	Front End Coil Side	Back End Coil side
1	4	4 + 5 = 9
2	9 - 4 = 5	5 + 3 = 8
3	8 - 2 = 6	6 + 1 = 7
4	7 + 6 = 13	13 - 1 = 12
5	12 + 2 = 14	14 - 3 = 11
6	11 + 4 = 15	15 - 5 = 10
7	10 + 6 = 16	16 + 5 = 21
8	21 - 4 = 17	17 + 3 = 20
9	20 - 2 = 18	18 + 1 = 19
10	19 + 6 = 1	25 - 1 = 24
11	24 + 2 = 2	26 - 3 = 23
12	23 + 4 = 3	27 - 5 = 22

Draw 24 solid lines of equal length at equal distance. This represents the number of slots. This also represents the number of coils, as this is a single layer winding. Then assign numbers to the top side of the coils, as shown in Fig. 4.3. With reference to Table 4.3, complete the winding diagram.

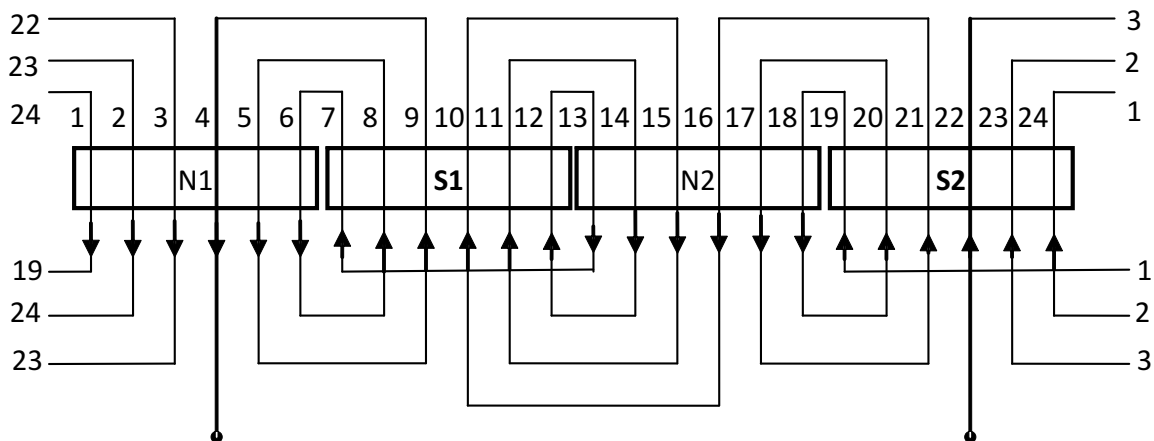


Fig.4.3 - Single Phase AC Concentric Main Winding Diagram

4.2 THREE PHASE WINDING

Single Layer Winding

Problem 1 : Develop a 3 phase, single layer concentric type of winding for a 2 pole ac machine having 12 slots.

Solution : Slots per pole per phase = $\frac{12}{3 \times 2} = 2$

From equation 3.5, slots per pole = $\frac{12}{2} = 6$

From equation 3.8, angle between consecutive slots, $\hat{\alpha} = \frac{180}{\text{slots per pole}} = \frac{180}{6} = 30^\circ$.

The allotment of slots to the three phases for a pole pair is given in Fig. 4.4, and this allotment repeats itself for other pole pairs. In this example, the number of pole pairs is one.

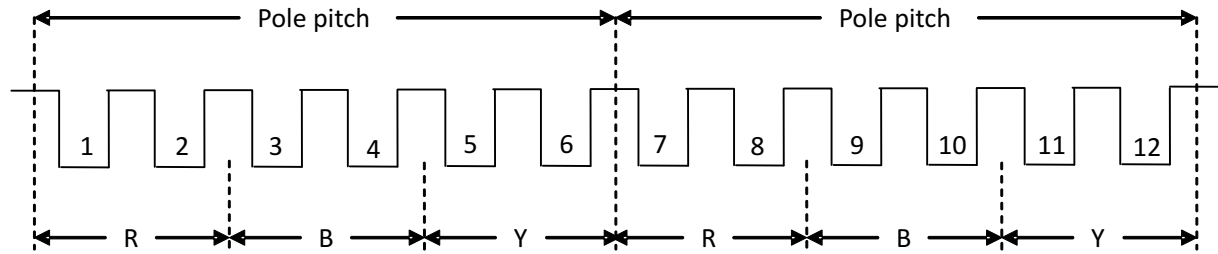


Fig.4.4 - Slots per pole per phase

Half coil winding

The coils comprising a pair of poles phase groups under adjacent poles are concentric. These coils under two adjacent poles form one coil group and thus there is one coil group per pair of poles.

If the first phase, say **R** or **A** phase starts at slot no.1, the **Y** or **B** phase should start at $120^\circ/30^\circ = 4$ slots away i.e., in slot (1 + 4 =) 5, and the **B** or **C** phase should start at (5 + 4 =) 9.

The winding should be connected between alternate North and South poles. First, R or A phase winding is started. If one side of the coil is placed in slot no. 1, the other side of the coil should be placed in slot no. 8, i.e., the last coil side of phase R or A phase under the next pole. The coil side in slot no. 2 should be connected to the last but one coil side of the same phase under the next pole, i.e., slot no. 7, in this case.

Now, the two coils formed by coil sides placed in the slots 1, 8 and 2, 7 belong to the same phase, and are concentric with each other. They form a coil group.

The rule for connecting together the coils in a coils group is that the end wire of one coil must be connected to the beginning of the next coil in the group and so on. This is done in order that the emfs of the coils in a coil group, add. The other coil groups for the remaining phases.

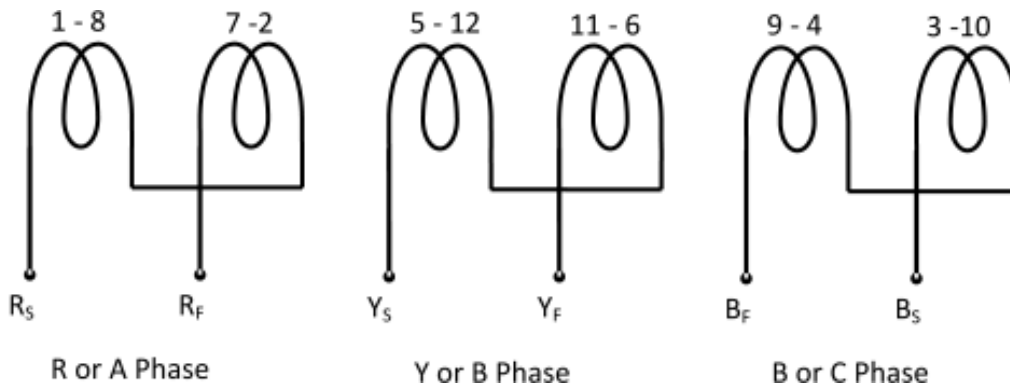


Fig. 4.5 - Coil group connections for half coil winding.

Fig. 4.5 gives the coil group connections for half coil winding for each phases.

Fig. 4.6 gives the complete main winding diagram for a 2 pole 12 slots ac machine using single layer half coil winding. In Fig. 4.6, R_S , R_F , B_S , B_F , Y_S , and Y_F indicate the starting and finishing ends of RBY phases respectively.

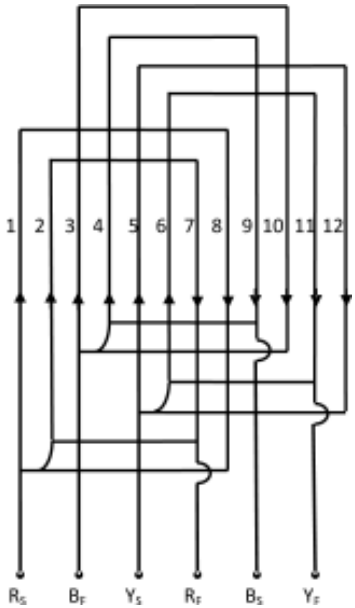


Fig.4.6 - 3 phase 2 pole single layer winding main winding main winding diagram (Half coil)

Whole Coil Winding

The whole coil winding has one coil group per pole for each phase.

Total number of coils = $\frac{12}{2} = 6$; Coils per phase = $\frac{6}{3} = 2$; Number of coils of groups per phase = $3 \times 2 = 6$

In this example, a single coil is a coil group in itself.

The winding should be connected between alternate North and South poles. First, R or A phase winding is started. Starting with coil in slot 2, the start of R phase lies in slot 2, that of Y phase in slot $(2 + 4 =) 6$ and that of B phase in slot $(6 + 4 =) 10$.

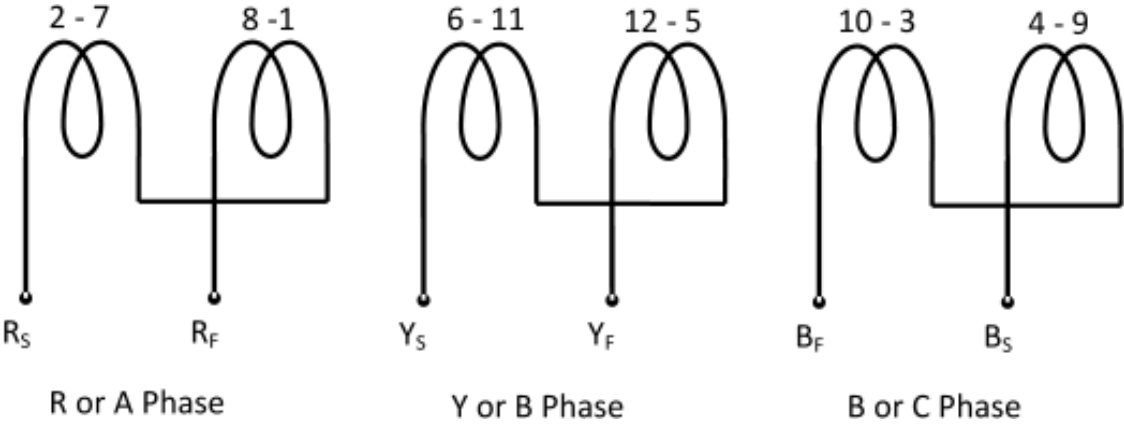


Fig. 4.7 - Coil group connections for whole coil winding

Fig. 4.7 gives the coil group connections for whole coil winding for each phases.

To draw the main winding diagram, draw 12 solid lines of equal length and distance equal to the number of slots, as shown in Fig. 4.8. For series connection, the finish of first coil of a phase is connected to the finish of the second coil group of the same phase. The start of the second coil group is connected to the start of the third coil group and so on. In Fig. 4.8, R_S , R_F , B_S , B_F , Y_S , and Y_F indicate the starting and finishing ends of RBY phases respectively.

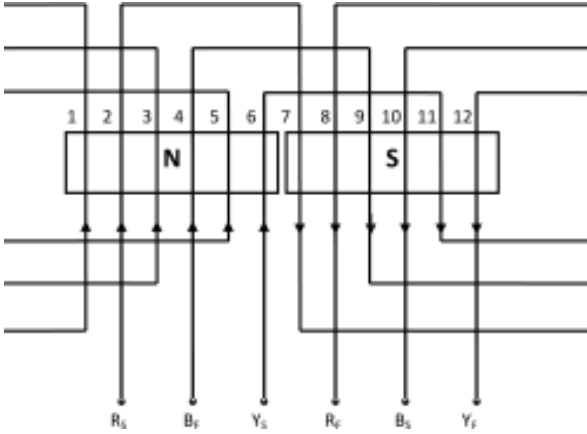


Fig.4.8 - 3 phase 2 pole single layer winding main winding diagram (Whole coil winding)

Mush winding

In drawing this winding, the slots are numbered from 1 to 12 and the long and short sides are alternatively drawn, as shown in Fig. 4.9

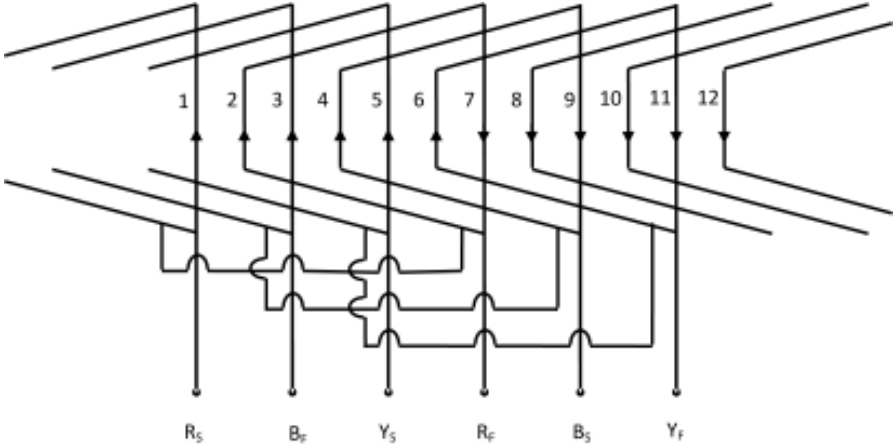


Fig.4.9 - 3 phase 2 pole single layer winding main winding diagram (mush winding)

If the first phase, say **R** or **A** phase starts at slot no.1, the **Y** or **B** phase should start at $120^\circ / 30^\circ = 4$ slots away ie., slot $(1 + 4 =) 5$, and the **B** or **C** phase should start at $(5 + 4 =) 9$.

Slots per pole per phase = $\frac{12}{3 \times 2} = 2$. Thus a phase group has 2 slots.

Coil span = $\frac{12}{2} = 6$ slots. This is an even number and hence winding is not possible with a coil span of 6 slots. So a coil span of 5 slots is used.

Starting R phase in slot no. 2, the coil side in slot no. 2 is connected to the coil side $(2 + 5 =) 7$. The coil side 8 is connected to coil side $(8 + 5 =) 13$, ie., 1. The coil groups are connected

in such a manner that their emfs add. The windings of the other phases are also similarly completed. The current directions marked in Fig. 4.9, is an arbitrary direction at any instant.

Problem 2 : Develop a 3 phase, single layer concentric type of winding for a 4 pole ac machine having 24 slots.

Solution : Slots per pole per phase = $\frac{24}{3 \times 4} = 2$, From equation 3.5, slots per pole = $\frac{24}{4} = 6$

From equation 3.8, angle between consecutive slots, $\hat{\alpha} = \frac{180}{\text{slots per pole}} = \frac{180}{6} = 30^\circ$.

The allotment of slots to the three phases for a pole pair is given in Fig. 4.10, and this allotment repeats itself for other pole pairs.

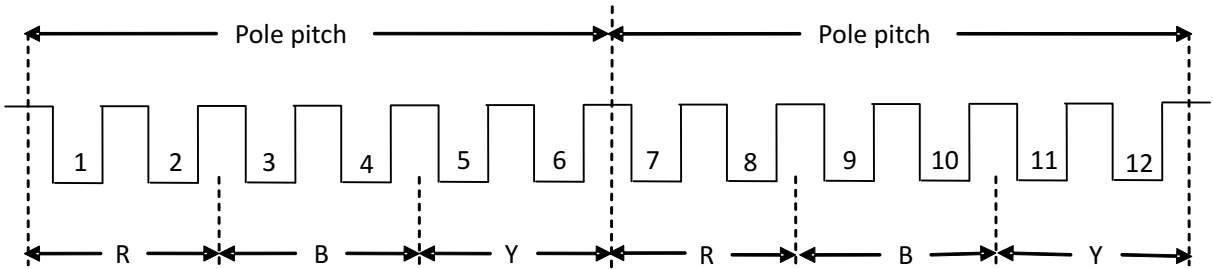


Fig.4.10 - Slots per pole per phase

Half coil winding

If the first phase, say **R** or **A** phase starts at slot no.1, the **Y** or **B** phase should start at $120^\circ/30^\circ = 4$ slots away i.e., in slot (1 + 4 =) 5, and the **B** or **C** phase should start at (5 + 4 =) 9.

The winding should be connected between alternate North and South poles. First, R or A phase winding is started. If one side of the coil is placed in slot no. 1, the other side of the coil should be placed in slot no. 8, i.e., the last coil side of phase R or A phase under the next pole. The coil side in slot no. 2 should be connected to the last but one coil side of the same phase under the next pole, i.e., slot no. 7, in this case. Now, the coils formed by coil sides placed in the slots 1 and 8, and 2 and 7 belong to the same phase, and are concentric with each other.

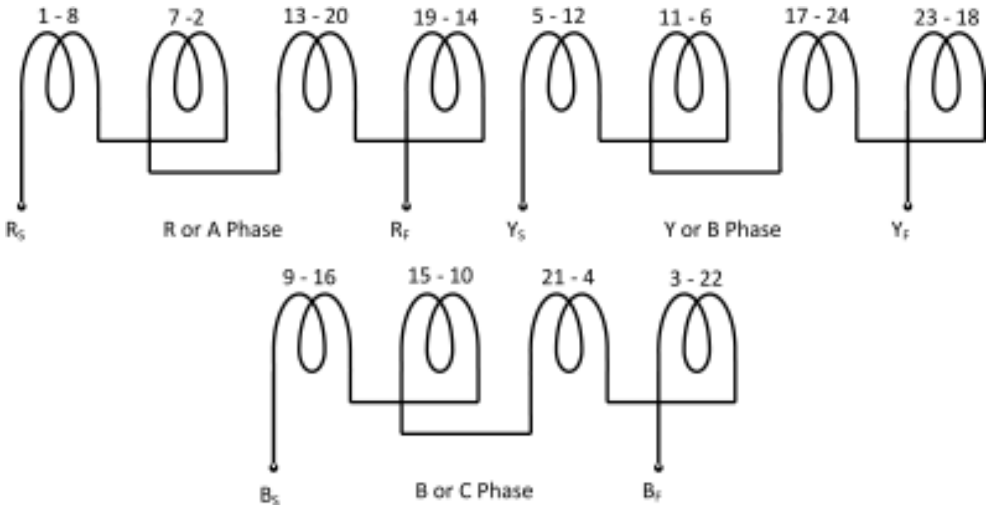


Fig. 4.11 - Coil group connections for half coil winding

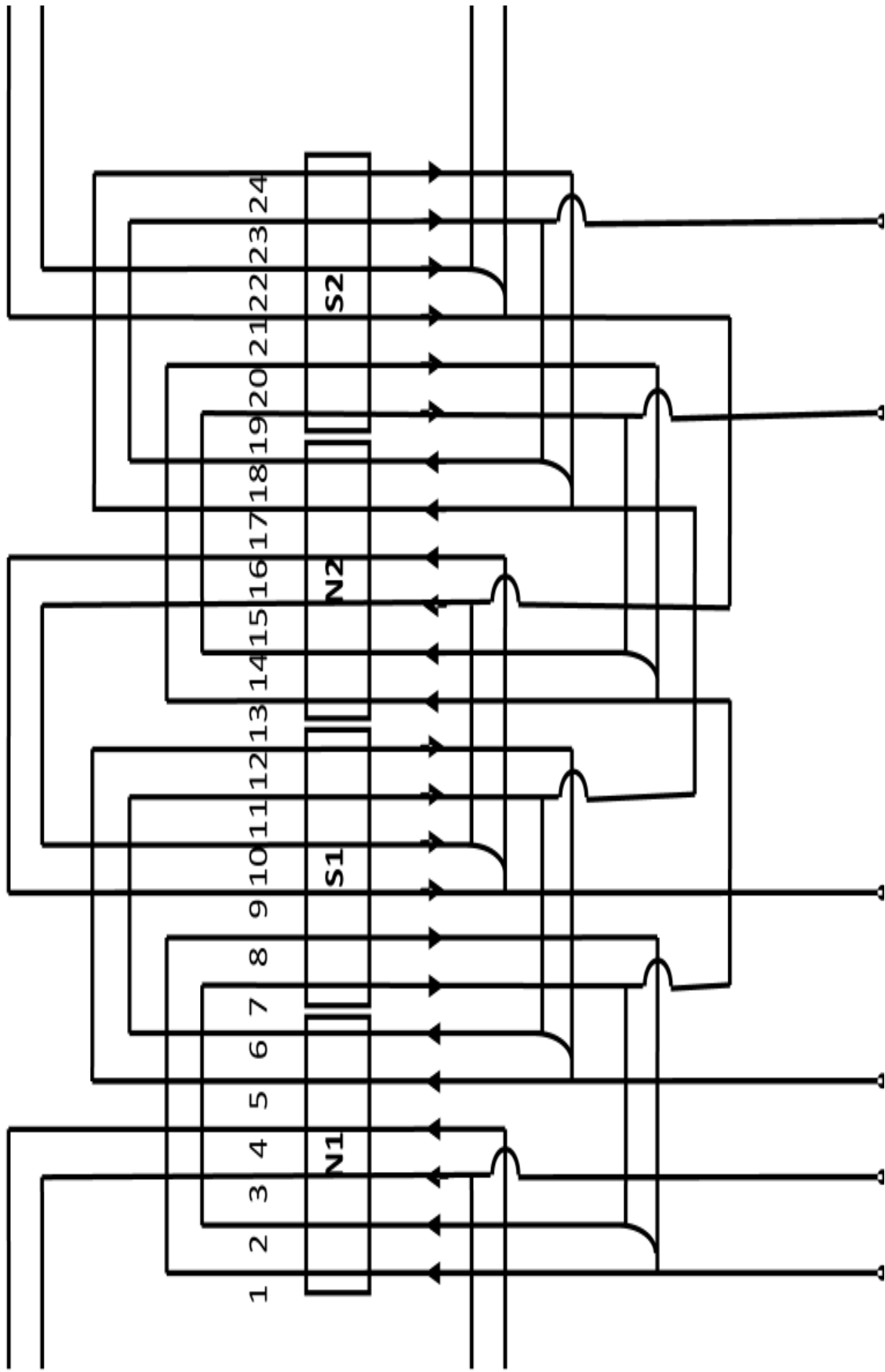


Fig. 4.12 - 3 phase 4 pole 24 slots single layer winding main diagram (half coil)

Fig. 4.11 gives the coil group connections for half coil winding for each phases.

They form a coil group. The rule for connecting together the coils in a coils group is that the end wire of one coil must be connected to the beginning of next coil in the group and so on. This is done in order that the emfs of the coils in a coil group, add.

Fig. 4.12 gives the complete main winding diagram for a 4 pole 24 slots ac machine using single layer half coil winding. In Fig. 4.12, R_S , R_F , B_S , B_F , Y_S , and Y_F indicate the starting and finishing ends of RBY phases respectively.

Whole Coil Winding

Total number of coils = $\frac{24}{4} = 6$; Coils per phase = $\frac{12}{3} = 4$; Number of coils of groups per phase = $3 \times 2 = 6$

If the first phase, say **R** or **A** phase starts at slot no.1, the **Y** or **B** phase should start at $120^\circ/30^\circ = 4$ slots away ie., in slot $(1 + 4 =) 5$, and the **B** or **C** phase should start at $(5 + 4 =) 9$.

Starting with coil in slot no. 2, the start of R phase lies in slot no. 2, that of Y phase in slot no. $(2 + 4 =) 6$ and that of B phase in slot no. $(6 + 4 =) 10$.

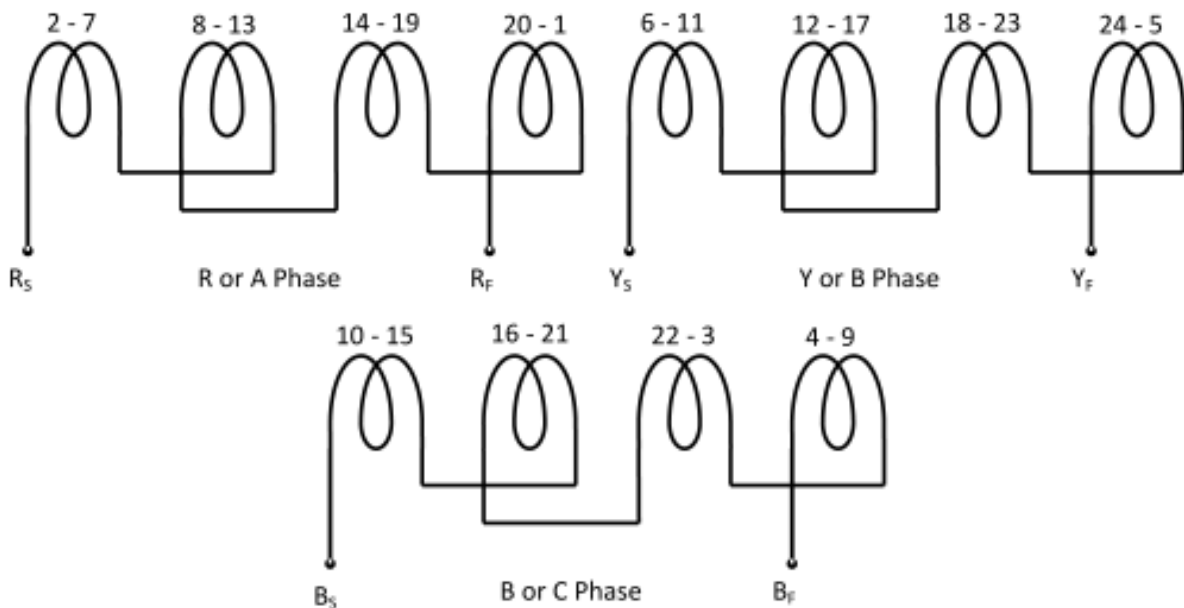


Fig. 4.13 - Coil group connections for whole coil winding

Fig. 4.13 gives the coil group connections for whole coil winding for each phases.

To draw the main winding diagram, draw 24 solid lines of equal length and distance equal to the number of slots, as shown in Fig. 4.14. For series connection, the finish of first coil of a phase is connected to the finish of the second coil group of the same phase. The start of the second coil group is connected to the start of the third coil group and so on. In Fig. 4.14, R_S , R_F , B_S , B_F , Y_S , and Y_F indicate the starting and finishing ends of RBY phases respectively.

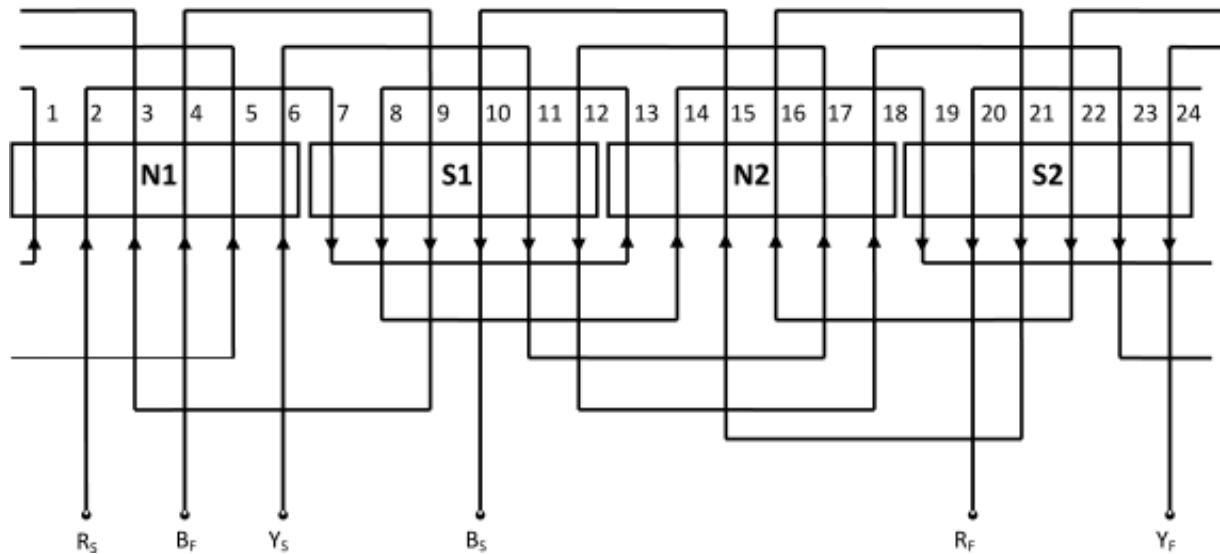


Fig. 4.14 - 3 phase 4 pole 24 slots single layer winding diagram (whole coil)

Mush winding

In drawing this winding, the slots are numbered from 1 to 24 and the long and short sides are alternatively drawn, as shown in Fig. 4.15

If the first phase, say **R** or **A** phase starts at slot no.2, the **Y** or **B** phase should start at $120^\circ / 30^\circ = 4$ slots away i.e., slot $(2 + 4 =) 6$, and the **B** or **C** phase should start at $(6 + 4 =) 10$.

Slots per pole per phase = $\frac{24}{3 \times 4} = 2$. Thus a phase group has 2 slots.

Coil span = $\frac{12}{2} = 6$ slots. This is an even number and hence winding is not possible with a coil span of 6 slots. So a coil span of 5 slots is used.

Starting R phase in slot no. 2, the coil side in slot no. 2 is connected to the coil side $(2 + 5 =) 7$. The coil side 8 is connected to coil side $(8 + 5 =) 13$, i.e., 1. The coil groups are connected in such a manner that their emfs add. The windings of the other phases are also similarly completed.

The current directions marked in Fig. 4.15, is an arbitrary direction at any instant.

Problem 3 : Develop a 3 phase, single layer concentric type of winding for a 2 pole ac machine having 24 slots.

Solution : Slots per pole per phase = $\frac{24}{3 \times 2} = 4$

From equation 3.5, slots per pole = $\frac{24}{2} = 12$

From equation 3.8, angle between consecutive slots, $\hat{\alpha} = \frac{180}{\text{slots per pole}} = \frac{180}{12} = 15^\circ$.

The allotment of slots to the three phases for a pole pair is given in Fig. 4.16, and this allotment repeats itself for other pole pairs.

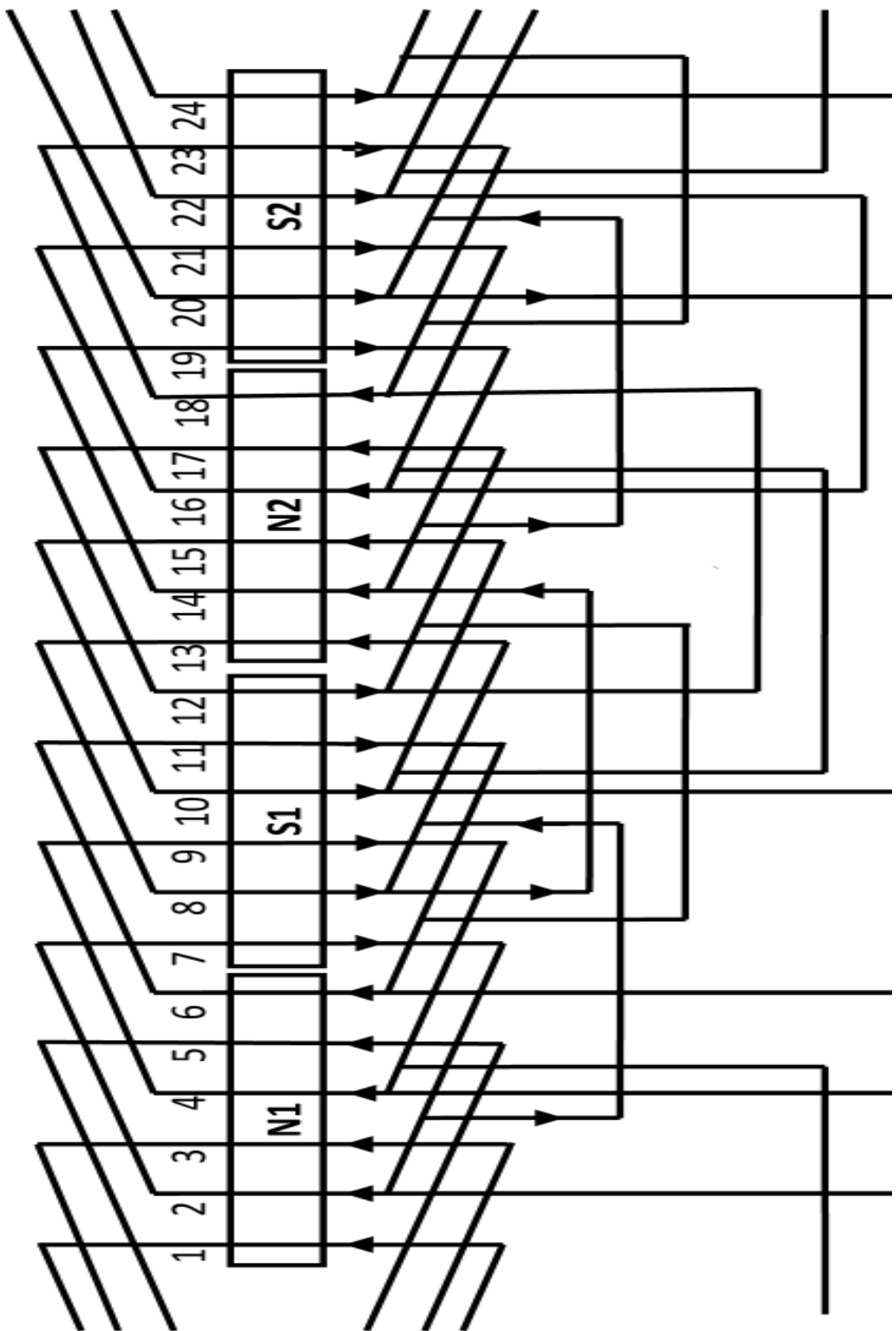


Fig. 4.15 - 3 phase 4 pole 24 slots single layer winding main winding diagram (Mush winding)

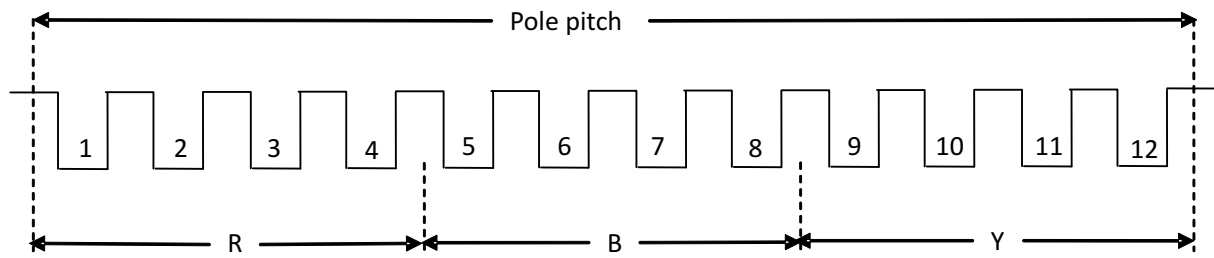


Fig. 4.16 - Slots per pole per phase

Half coil winding

If the first phase, say **R** or **A** phase starts at slot no.1, the **Y** or **B** phase should start at $120^\circ/15^\circ = 8$ slots away i.e., in slot $(1 + 8 =) 9$, and the **B** or **C** phase should start at $(9 + 8 =) 17$.

The winding should be connected between alternate North and South poles. First, R or A phase winding is started. If one side of the coil is placed in slot no. 1, the other side of the coil should be placed in slot no. 16, i.e., the last coil side of phase R or A phase under the next pole. The coil side in slot no. 2 should be connected to the last but one coil side of the same phase under the next pole, i.e., slot no. 15, in this case. Now, the coils formed by coil sides placed in the slots 1 and 16, 2 and 15, 3 and 14, and 4 and 13 belong to the same phase, and are concentric with each other. They form a coil group.

The rule for connecting together the coils in a coils group is that the end wire of one coil must be connected to the beginning of next coil in the group and so on. This is done in order that the emfs of the coils add in a coil group.

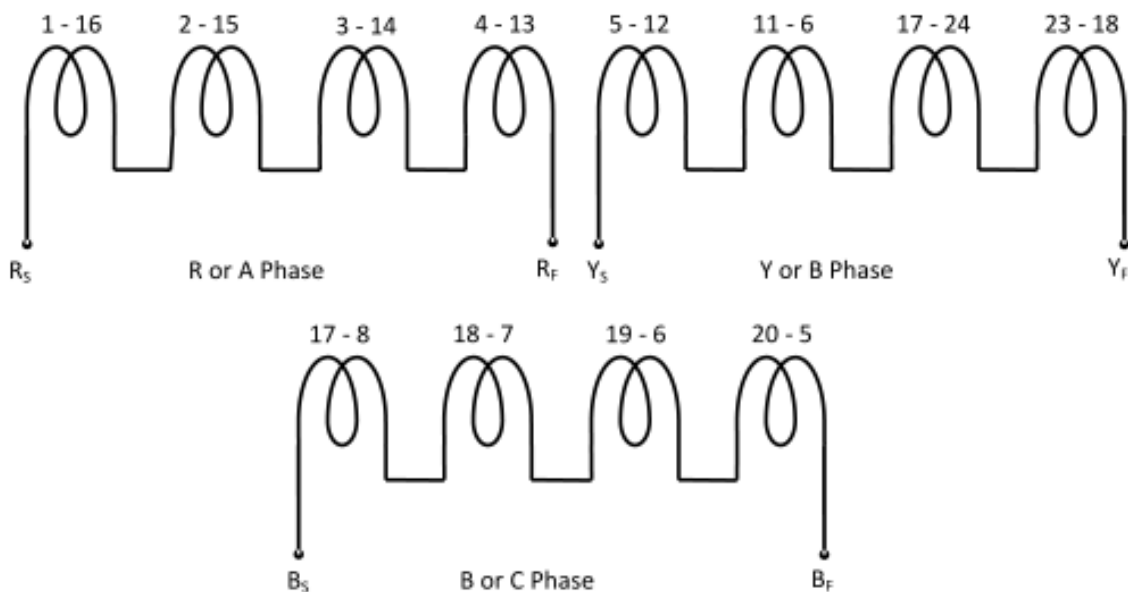


Fig. 4.17 - Coil group connections for half coil winding

Fig.4.17 gives the coil group connections for half coil winding for each phase.

Fig. 4.18 gives the complete main winding diagram for a 2 pole 24 slots ac machine using single layer half coil winding. In Fig. 4.20, R_S , R_F , B_S , B_F , Y_S , and Y_F indicate the starting and finishing ends of RBY phases respectively.

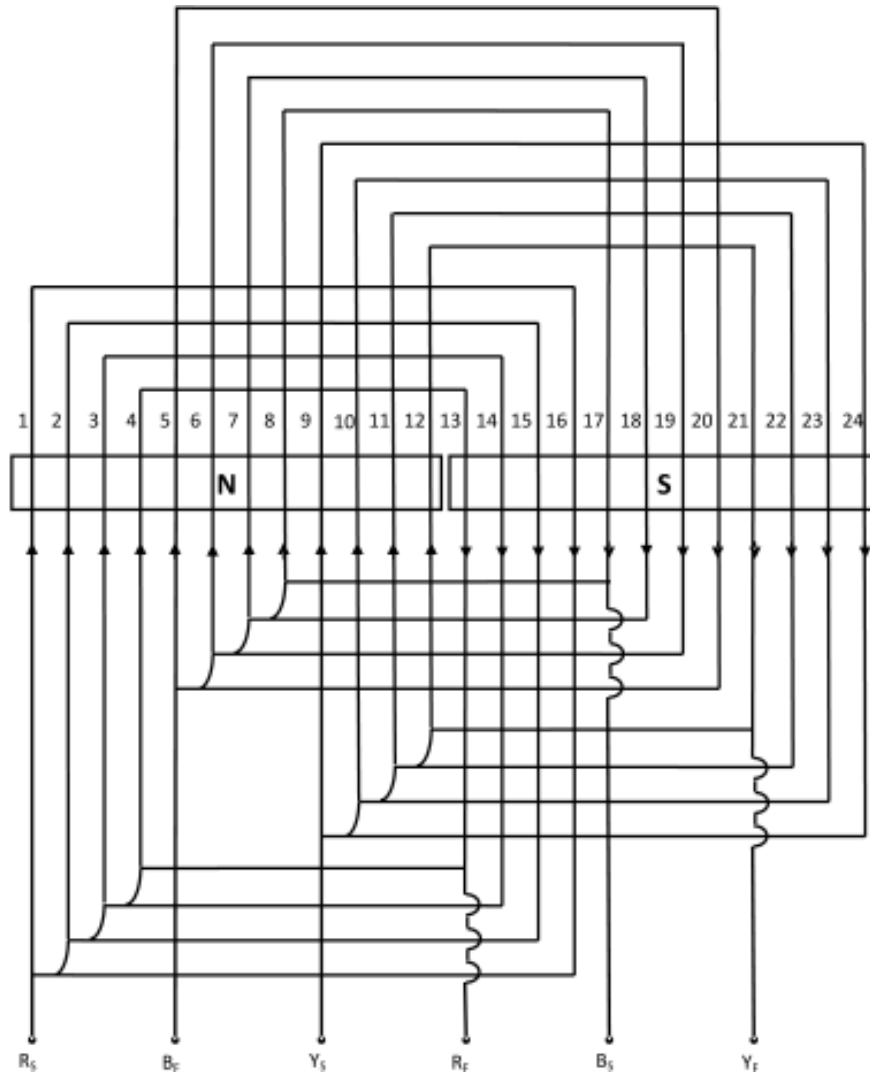


Fig. 4.18 - 3 phase 2 pole 24 slots single layer winding main winding diagram (half coil)

Whole Coil Winding

Total number of coils = $\frac{24}{4} = 6$; Coils per phase = $\frac{12}{3} = 4$; Number of coils of groups per phase = $3 \times 2 = 6$

If the first phase, say **R** or **A** phase starts at slot no.1, the **Y** or **B** phase should start at $120^\circ/15^\circ = 8$ slots away i.e., in slot $(1 + 8 =) 9$, and the **B** or **C** phase should start at $(9 + 8 =) 17$.

Starting with coil in slot no. 4, the start of R phase lies in slot no. 4, that of Y phase in slot no. $(4 + 8 =) 12$ and that of B phase in slot no. $(12 + 8 =) 20$.

Fig. 4.19 gives the coil group connections for whole coil winding for each phases.

To draw the main winding diagram, draw 24 solid lines of equal length and distance equal to the number of slots, as shown in Fig. 4.20. For series connection, the finish of first coil of a phase is connected to the finish of the second coil group of the same phase. The start of the second coil group is connected to the start of the third coil group and so on. In Fig. 4.20, $R_S, R_F, B_S, B_F, Y_S,$ and Y_F indicate the starting and finishing ends of RBY phases respectively.

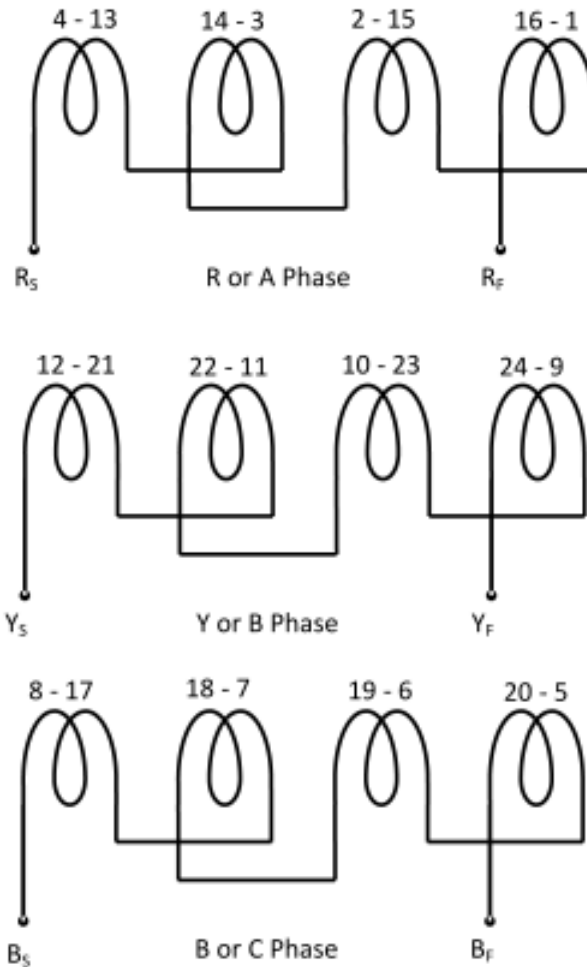


Fig. 4.19 - Coil group connections for whole coil winding

Mush winding

In drawing this winding, the slots are numbered from 1 to 24 and the long and short sides are alternatively drawn, as shown in Fig. 4.21.

If the first phase, say **R** or **A** phase starts at slot no.2, the **Y** or **B** phase should start at $120^\circ/15^\circ = 8$ slots away i.e., in slot $(2 + 8 =) 10$, and the **B** or **C** phase should start at $(10 + 8 =) 18$.

Slots per pole per phase = $\frac{24}{3 \times 2} = 4$. Thus a phase group has 4 slots.

Coil span = $\frac{24}{2} = 12$ slots. This is an even number and hence winding is not possible with a coil span of 12 slots. So a coil span of 11 slots is used.

Starting R phase in slot no. 2, the coil side in slot no. 2 is connected to the coil side $(2 + 11 =) 13$. The coil side 14 is connected to coil side $(14 + 11 =) 25$, i.e., 1. The coil groups are connected in such a manner that their emfs add. The windings of the other phases are also similarly completed.

The current directions marked in Fig. 4.21, is an arbitrary direction at any instant.

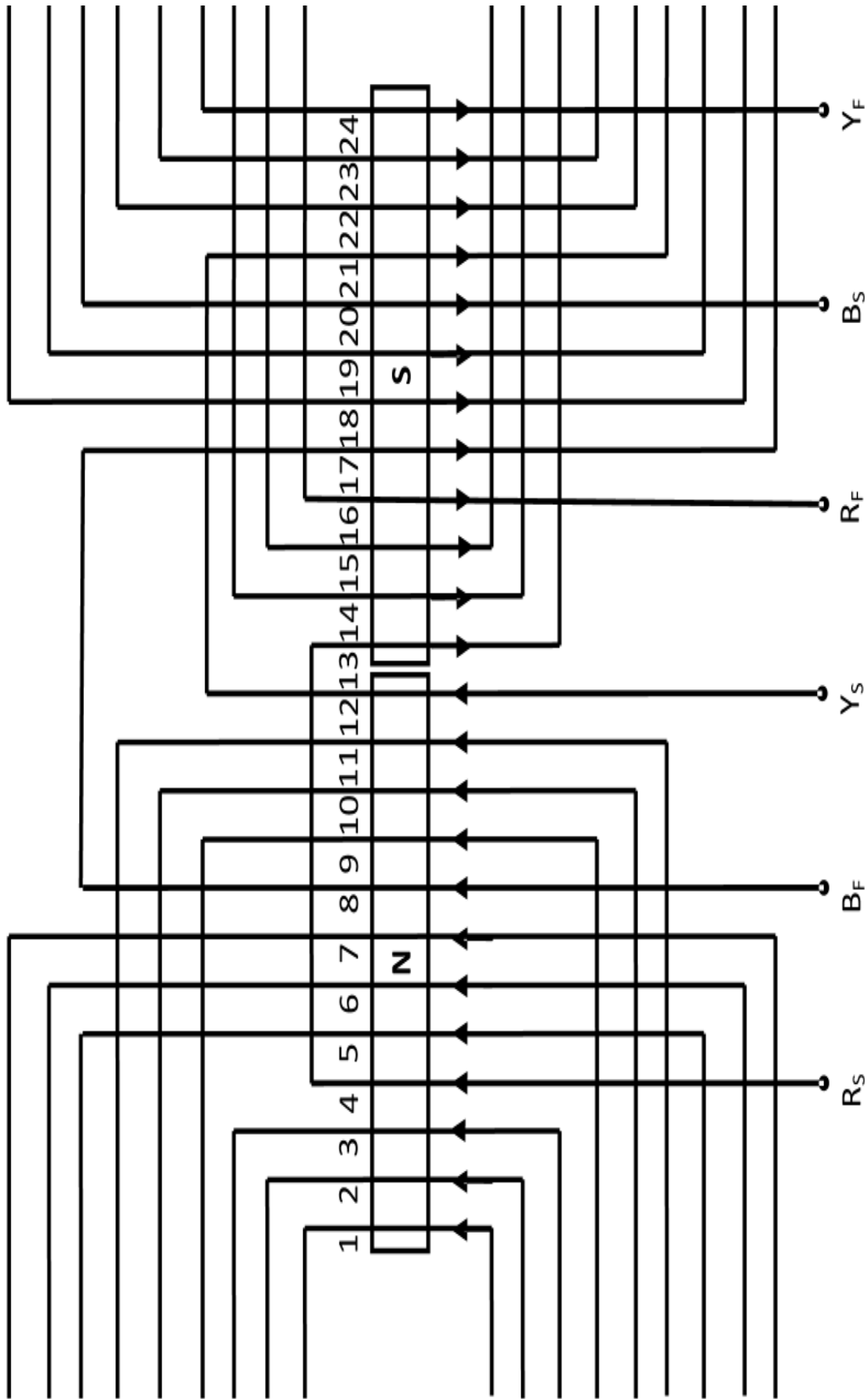


Fig. 4.20 - 3 phase 2 pole 24 slots single layer winding main winding diagram (whole coil)

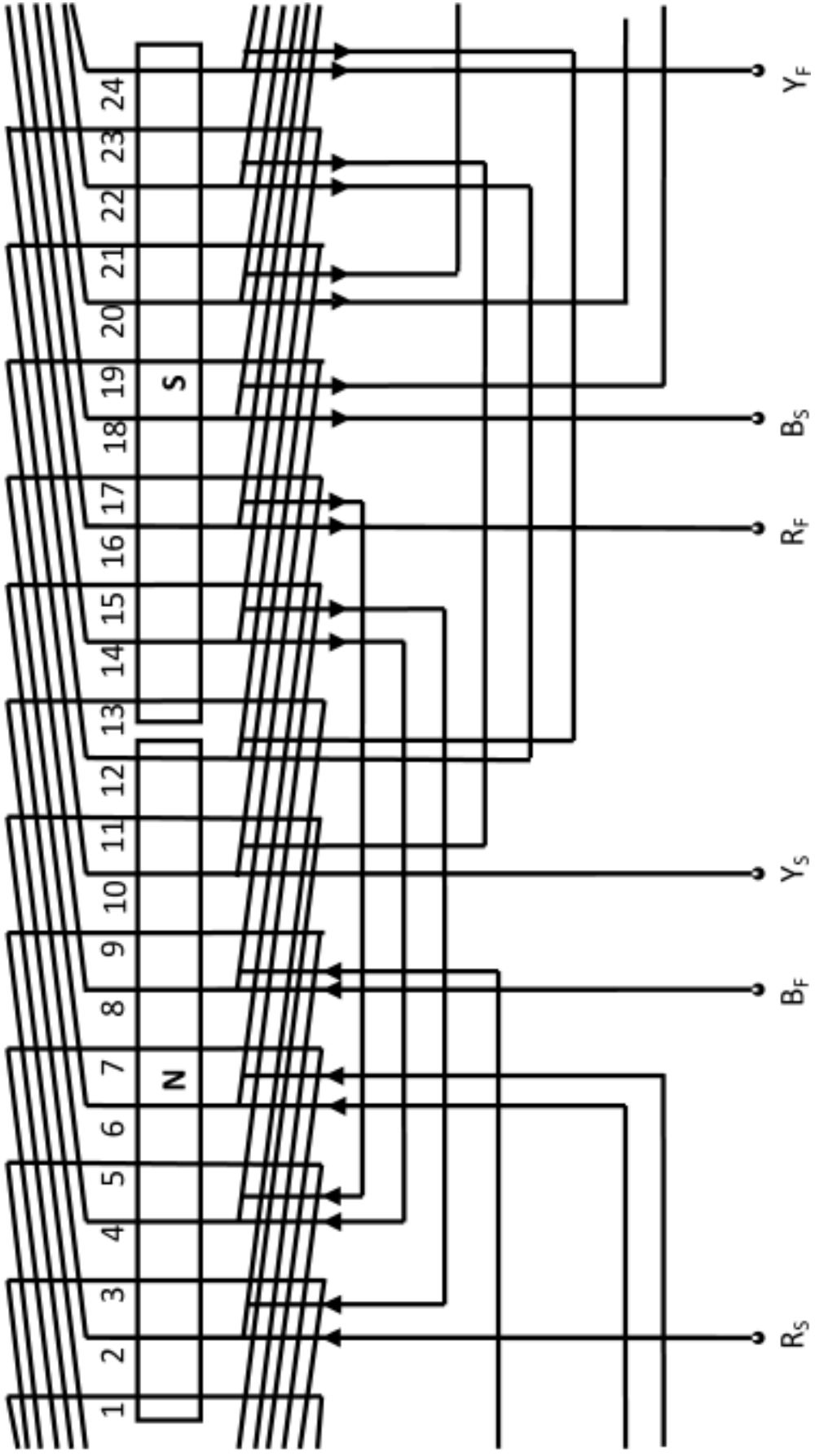


Fig. 4.21 - 3 phase 2 pole 24 slots single layer winding main winding diagram (Mush winding)

Double layer windings

Lap winding

Problem 1 : Develop the layout of a lap winding for a 3 phase ac machine having 4 pole and 24 slots. There are 2 coil sides per slot.

Solution : Coil groups per phase = $3 \times 4 = 12$

$$\text{Slots per pole per phase, } m = \frac{24}{3 \times 4} = 2$$

$$\text{Angle between adjacent slots, } \hat{\alpha} = \frac{180}{\frac{24}{4}} = 30^\circ \text{e.}$$

For full pitch coils, the coil span, $\acute{\alpha} = 0$, ie., angle between the two sides of the same coil is 180°e .

$$180^\circ \text{ corresponds to } \frac{180}{\hat{\alpha}} = \frac{180}{30} = 6 \text{ slots.}$$

There are 3 phase groups per pole, each comprising of 2 slots. The distribution of slots, of phase sequence RYB or ABC, is shown in Table 4.4.

Table 4.4 Polar Groups

Poles	N1	S1	N2	S2
Phase				
R	1,2	7,8	13,14	19,20
B	3,4	9,10	15,16	21,22
Y	5,6	11,12	17,18	23,24

The start of the phases must be displaced by 120° and so must be finishes. If the start of R or A phase lies in slot no. 1, the start of Y or B phase must be in slot no. $(1 + \frac{120}{30} =) 5$ and that of B or C phase in slot no. $(5 + \frac{120}{30} =) 9$. **This makes the phase sequence RYB or ABC.**

The top coil side in slot no. 1 is to be connected to bottom coil side in slot no. $(1 + 6 =) 7$ or back pitch, $Y_b = 13$, in terms of coil sides, ie., if slot no. 1 is at the beginning of the first North Pole, N1, the slot no. 7 will be at the beginning of the first South Pole, S1.

The winding pitch, $Y = +2$ (progressive winding).

The front pitch, $Y_f = Y_b - Y = 13 - 2 = 11$.

Now, coil sides 1 and 14 form a coil. Coil side 14 is connected to coil side $(14 - Y_f =) 3$, and coil side 3 is connected to coil side $(3 + Y_b =) 16$. So coil sides 3 and 16 form the second and the last coils of this pole phase groups.

Table 4.5 gives the winding table for RYB Phases.

Table 4.5 Winding Table for RYB Phases

S.No.	Top coil side (-Y _r)	Bottom coil side (+Y _b)
R or A phase per pole per phase		
1	1	14
2	3	16
3	13	26
4	15	28
5	25	38
6	27	40
7	37	2
8	39	4
Y or B phase per pole per phase		
9	9	22
10	11	24
11	21	34
12	23	36
13	33	46
14	35	48
15	45	10
16	47	12
B or C phase per pole per phase		
17	5	18
18	7	20
19	17	30
20	19	32
21	29	42
22	31	44
23	41	6
24	43	8

Fig. 4.22 gives the complete main winding diagram for 3 phase 4 pole 24 slots double layer lap winding.

Problem 2 : Develop the layout of a lap winding for a 3 phase ac machine having 2 pole and 24 slots. There are 2 coil sides per slot.

Solution : Coil groups per phase = $3 \times 2 = 6$. Slots per pole per phase, $m = \frac{24}{3 \times 2} = 4$

Angle between adjacent slots, $\hat{\alpha} = \frac{180}{24} = 15^\circ$. For full pitch coils, the coil span, $\acute{\alpha} = 0$, ie., angle between the two sides of the same coil is 180° .

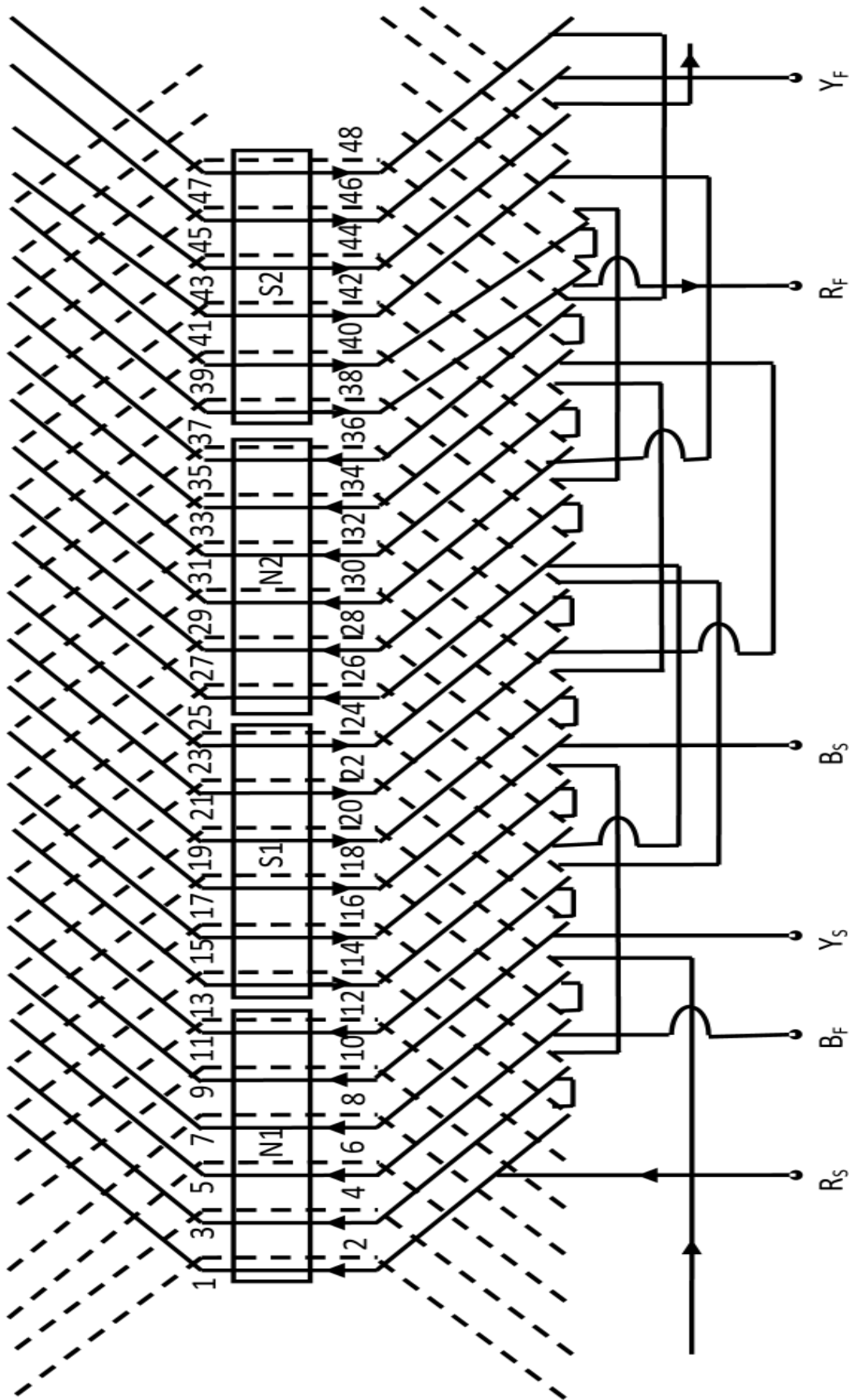


Fig. 4.22 - 3-phase double layer lap winding

180° corresponds to $\frac{180}{\hat{a}} = \frac{180}{15} = 12$ slots.

There are 3 phase groups per pole, each comprising of 4 slots. The distribution of slots, of phase sequence RYB or ABC, is shown in Table 4.6.

Table 4.6 Polar Groups

Poles	North	South
Phase		
R	1 – 4	13 - 16
B	5 – 8	17 – 20
Y	9 – 12	20 - 24

The start of the phases must be displaced by 120° and so must be finishes. If the start of R or A phase lies in slot no. 1, the start of Y or B phase must be in slot no. $(1 + \frac{120}{15} =) 9$ and that of B or C phase in slot no. $(9 + \frac{120}{15} =) 17$. **This makes the phase sequence RYB or ABC.**

Full Pitch Winding : The top coil side in slot no. 1 is to be connected to bottom coil side in slot no. $(1 + 12 =) 13$ or back pitch, $Y_b = 25$, in terms of coil sides, ie., if slot no. 1 is at the beginning of the first North Pole, N1, the slot no. 13 will be at the beginning of the first South Pole, S1.

The winding pitch, $Y = +2$ (progressive winding). The front pitch, $Y_f = Y_b - Y = 25 - 2 = 23$ in terms of coil sides. Table 4.7 gives the winding table for RYB or ABC Phases.

Table 4.7 Winding Table for RYB Phases

S.No.	Top coil side ($-Y_f$)	Bottom coil side ($+Y_b$)
R or A phase per pole per phase		
1	1	26
2	3	28
3	5	30
4	7	32
Y or B phase per pole per phase		
5	17	42
6	19	44
7	21	46
8	23	48
B or C phase per pole per phase		
9	33	10
10	35	12
11	37	14
12	39	16

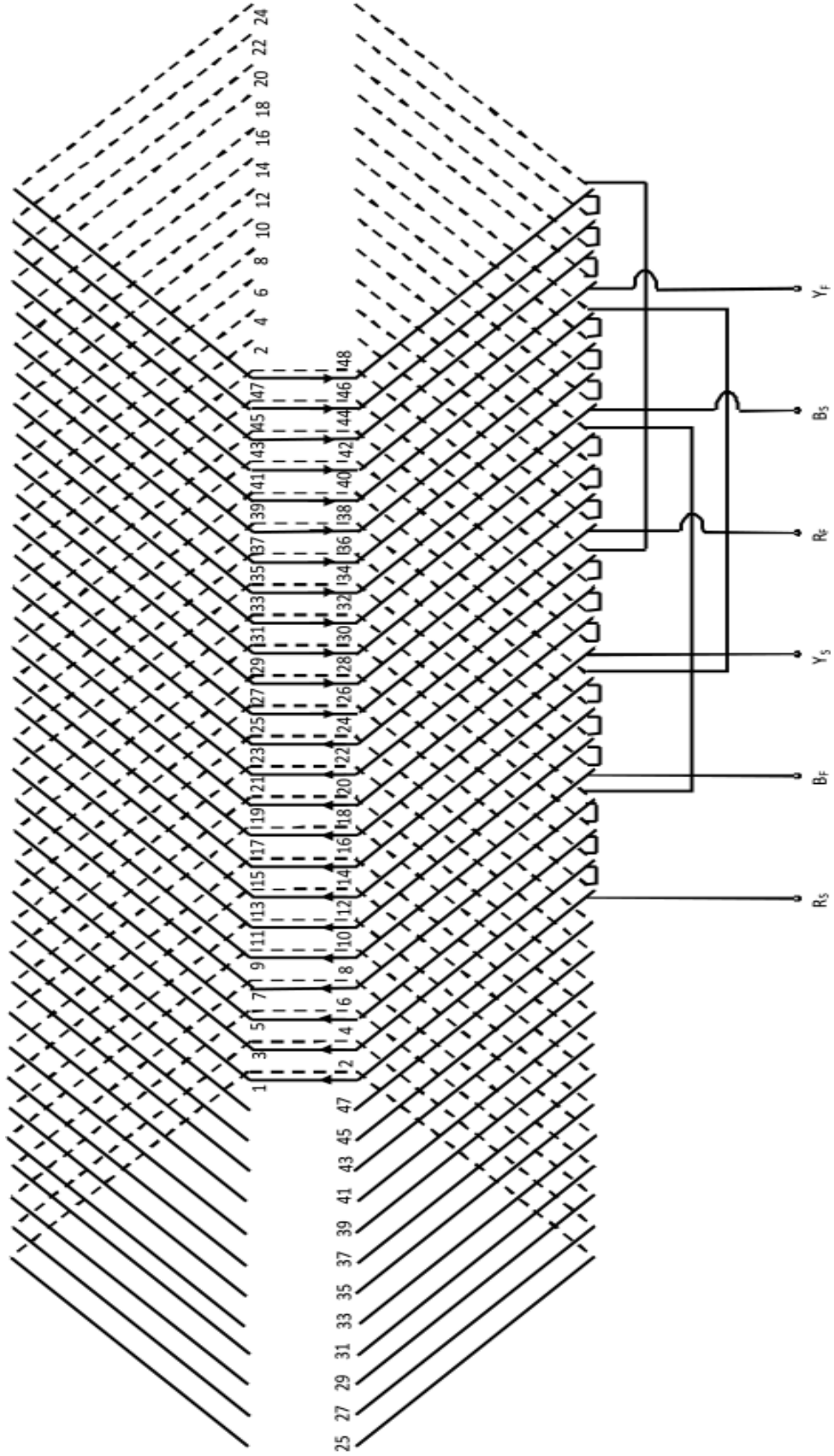


Fig. 4.23 - 3 phase double layer 2 pole 24 slot lap (full pitch) winding

Short Pitch Winding

It is assumed that the winding is short pitched by 1 slot.

Therefore, coil span = 11, in terms of slots, or $Y_b = 23$ in terms of coil sides.

The winding pitch, $Y = +2$ (progressive winding).

The front pitch, $Y_f = Y_b - Y = 23 - 2 = 21$ in terms of coil sides.

Table 4.8 gives the winding table for RYB or ABC Phase, in terms of coil sides.

Table 4.8 Winding Table for RYB Phases in terms of coil sides

S.No.	R Phase in terms of coil sides			
1	Start	1	$1 + 23 =$	24
2	$24 - 21 =$	3	$3 + 23 =$	26
1	$26 - 21 =$	5	$5 + 23 =$	28
2	$28 - 21 =$	7	$7 + 23 =$	30
3	$30 - 21 =$	9	This coil side belongs to other phase. Therefore coil side 30 is connected to coil side 6.	
4	$6 + 48 - 23 =$	31	$31 - 48 + 21 =$	4
1	$4 + 48 - 23 =$	29	$29 - 48 + 21 =$	2
2	$2 + 48 - 23 =$	27	$27 + 21 =$	48
3	$48 - 23 =$	25		Finish
		Y Phase in terms of coil sides		
4	Start	17	$17 + 23 =$	40
5	$40 - 21 =$	19	$19 + 23 =$	42
6	$42 - 21 =$	21	$21 + 23 =$	44
7	$44 - 21 =$	23	$23 + 23 =$	46
8	$46 - 21 =$	25	This coil side belongs to other phase. Therefore coil side 46 is connected to coil side 22.	
9	$22 + 48 - 23 =$	47	$47 - 48 + 21 =$	20
10	$20 + 48 - 23 =$	45	$45 - 48 + 21 =$	18
11	$18 + 48 - 23 =$	43	$43 - 48 + 21 =$	16
12	$16 + 48 - 23 =$	41		Finish
		B Phase in terms of coil sides		
1	Start	33	$33 + 23 - 48 =$	8
2	$8 - 21 + 48 =$	35	$35 + 23 - 48 =$	10
3	$10 - 21 + 48 =$	37	$37 + 23 - 48 =$	12
4	$12 - 21 + 48 =$	39	$39 + 23 - 48 =$	14
5	$14 - 21 + 48 =$	41	This coil side belongs to other phase. Therefore coil side 41 is connected to coil side 38.	
6	$38 - 23 =$	15	$15 + 21 =$	36
7	$36 - 23 =$	13	$13 + 21 =$	34
8	$34 - 23 =$	11	$11 + 21 =$	33
9	$33 - 23 =$	9		Finish

Fig. 4.24 gives the main winding diagram for the 3 phase, 2 pole, 24 slot machine ac machine.

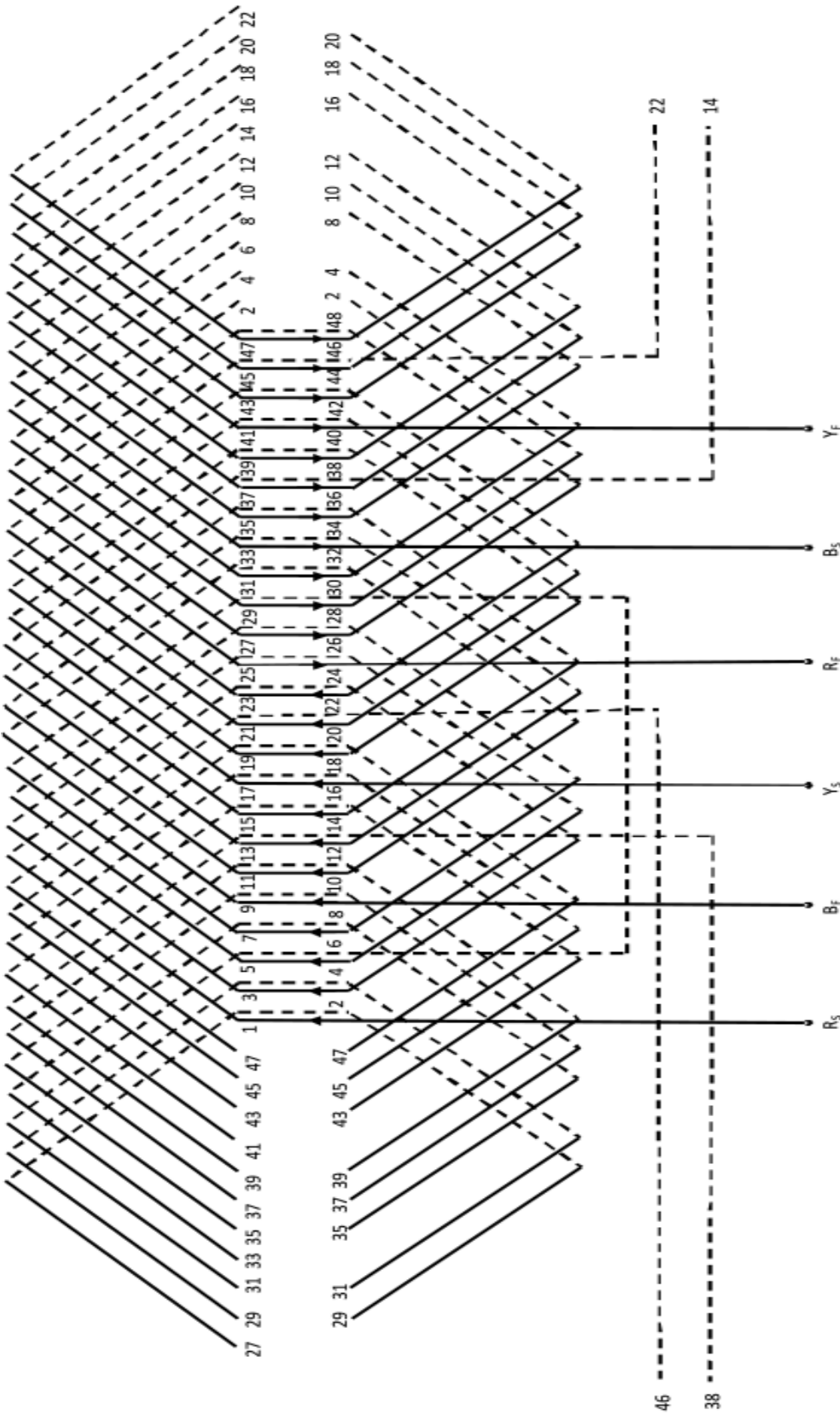


Fig. 4.24 - 3 phase double layer 2 pole 24 slot lap (short pitch) winding

Wave winding

Problem 3 : Develop the layout of a wave winding for a 3 phase having 4 pole ac machine and 24 slots. There are 2 coil sides per slot.

Solution : Coil groups per phase = $3 \times 4 = 12$. Pole pitch = $\frac{s}{p} = \frac{24}{4} = 6$ $\frac{180}{4} = 45^\circ$

Slots per pole per phase, $m = \frac{24}{3 \times 4} = 2$. Angle between adjacent slots, $\hat{\alpha} = \frac{24}{4} = 30^\circ$.

There are 3 phase groups per pole, each comprising of 2 slots. The distribution of slots, of phase sequence RYB or ABC, is shown in Table 4.9.

Table 4.9 Polar Groups

Poles	N1	S1	N2	S2
Phase				
R	1,2	7,8	13,14	19,20
Y	3,4	9,10	15,16	21,22
B	5,6	11,12	17,18	23,24

Back pitch, $Y_b = \frac{2c}{p} \pm K = \frac{2 \times 24}{4} \pm K = 12 \pm K = 13$ in terms of coil sides. The winding pitch used for a 3 phase wave connected ac machine, $Y = 12m$. Therefore, $Y = 12 \times 2 = 24$, The front pitch, $Y_f = 24 - 13 = 11$ in terms of coil sides. If the start of R or A phase lies in slot no. 1, the start of Y or B phase must be in slot no. $(1 + \frac{120}{30} =) 5$ and that of B or C phase in slot no. $(5 + \frac{120}{30} =) 9$. This makes the phase sequence RYB. Half of the winding will be in clockwise and the remaining half of the winding will be in anticlockwise. Phase R starts with coil side 1 in slot 1. Table 4.10 gives the winding table for R or A Phase.

Table 4.10 Winding Table for R Phase

Clockwise		
S.No.	Top coil Side (+Y _r)	Bottom coil Side (+Y _b)
1	1	14
2	25	38
3	3	16
4	27	40
Anticlockwise		
5	4	39
6	28	15
7	2	37
8	26	13

Following the procedure given in the Table 4.10, the winding for the other two phases can be obtained.

Fig. 4.25 gives the complete main winding diagram for 3 phase 4 pole 24 slot double layer wave winding.

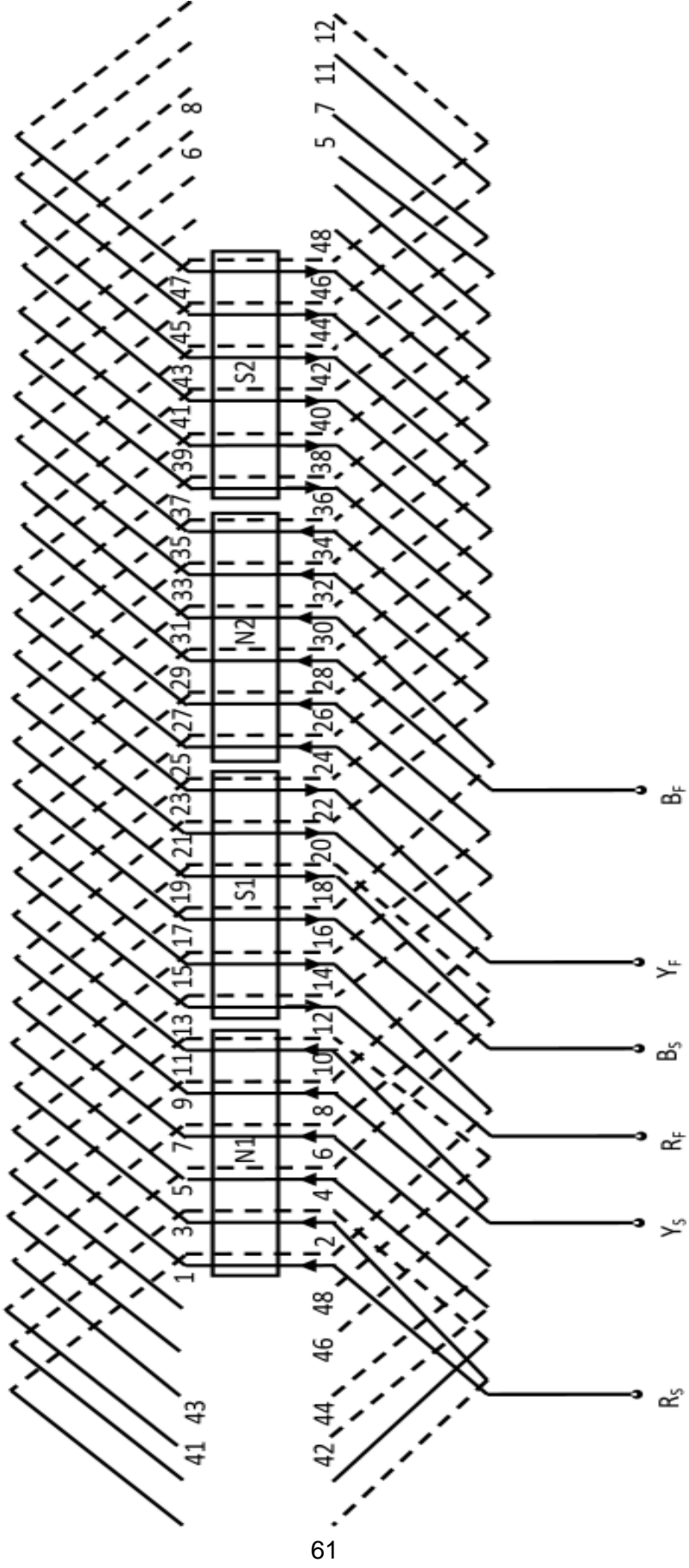


Fig. 4.25 - 3 phase double layer 4 pole 24 slot wave

QUESTIONS

Part - A

Choose the Correct Answer

(1 Mark)

- In single layer winding, the number of coil is equal to _____, so that each slots contains only one coil side.
A) the number of slots on the stator
B) the number of poles
C) synchronous speed
D) half the number of slots on the stator
- Pole pitch is defined as
A) number of slots per pole
B) number of slots per pole phase
C) coil sides per slot
D) coil groups per phase
- For a 2 pole ac machine having 12 slots, the angle between consecutive slots, $\hat{\alpha}$ is 30° , and if the first phase, say **R** or **A** phase starts at slot no.1, the **Y** or **C** phase should start at
A) 9
B) 3
C) 7
D) 5
- In mush winding, the coil groups are connected in such a manner that their emfs
A) become 1
B) add
C) subtract
D) become zero
- For full pitch winding, angle between the two sides of the same coil is
A) 90°
B) 60°
C) 180°
D) 120°

Part - B

Answer the following questions in one or two words

(1 Mark)

- When the number of coil is equal to half the number of slots on the stator, such that each slots contains only one coil side. What is this type of winding called?
- For full pitch winding, what should be the angle between the two sides of the same coil?
- For short pitch winding, should the angle between the two sides of the same coil be 180° ?
- What should be the winding sequence in a three phase winding?
- Write the formulae for finding the angle between the adjacent slots.

Part - C

Answer the following questions briefly

(4 Marks)

1. Calculate the front, back and winding pitches for a single phase, single layer AC lap winding for a 4 pole AC machine having 24 slots.
2. Calculate the front, back and winding pitches for a single phase, single layer wave winding for a 4 pole, 24 slot ac machine.
3. Calculate the angle between the adjacent slots for a 3 phase, single layer concentric type of winding for a 2 pole ac machine having 12 slots.
4. Calculate the angle between the adjacent slots for a lap winding for a 3 phase ac machine having 4 pole and 24 slots.
5. Calculate the angle between the adjacent slots for a wave winding for a 3 phase having 6 pole ac machine and 24 slots.

Part - D

Answer the following questions in one page level

(10 Marks)

1. Develop a winding table for a single phase, single layer AC lap winding for a 4 pole AC machine having 24 slots.
2. Develop a winding table for a single phase, single layer wave winding for a 4 pole, 24 slot ac machine.
3. Develop a winding table for a single phase single layer concentric winding for a 4 pole ac machine having 24 slots.
4. Develop the coil group connections using
A) half coil winding B) whole coil winding
for a 3 phase, single layer concentric type of winding for a 2 pole ac machine having 12 slots.
5. Develop the winding table for a lap winding for a 3 phase ac machine having 2 pole and 24 slots. There are 2 coil sides per slot.
6. Develop the coil group connections using whole coil winding for a 3 phase, 4 pole, 24 slot ac machine, with single layer concentric type of winding.

5. DEVELOPMENT OF WINDING - DC MACHINE

5.1 GENERAL PROCEDURE FOR DEVELOPMENT OF WINDING DIAGRAM

1. Calculate the number of coil sides for the main winding diagram.
2. Calculate the back pitch, Y_b , the winding pitch, Y , and the front pitch, Y_f , using equations 3.17, 3.18, and 3.20 respectively.
3. Form a winding table using the back pitch, Y_b , and the front pitch, Y_f .
4. For drawing the main winding diagram, draw solid vertical lines of equal length at equal distance equal to number of coils. These solid lines indicate the top layer coil sides.
5. Draw dotted vertical lines of same length and distance close to the solid vertical lines (equal to number of coils). These dotted lines indicate bottom layer coil sides.
6. Assign odd numbers to the top left side of the solid lines and even number to the bottom right side of the dotted lines.
7. Complete the connection to the coil sides using the winding table, with solid lines for top layer coil sides and dotted lines for bottom layer coil sides.
8. Using the main winding diagram, draw solid vertical lines (equal to number of coils) from the top mid-point of each front end connections.
9. Represent commutator segments (equal to no. of coils) by rectangular boxes below the front end connections.
10. Divide the coils by the number of poles. This gives the allocation of coil sides to pole regions.
11. Find the current direction by applying Fleming's right hand rule, when the mode of operation is a generator and Fleming's left hand rule, when the mode of operation is a motor. Or the current direction to all coil sides can be arbitrarily assumed. Mark downward current direction for the coil sides under the north pole regions and upward current direction under south pole regions.
12. To fix the brush arm positions and to find the number of parallel paths offered by the armature winding, draw the commutator ring diagram or equivalent end ring diagram.
13. To draw the commutator ring diagram or equivalent end ring diagram, draw vertical solid lines equal to number of coil sides and join them with reference to winding table.
14. Also mark the current direction through the coil sides with reference to main winding diagram.

5.2 DOUBLE LAYER SIMPLEX LAP WINDING DIAGRAM

Draw the winding diagram for a 2 pole, 6 slot simplex lap connected dc machine with commutator having 6 segments. Indicate the position of brushes.

Solution : Slots per pole = $\frac{s}{p} = \frac{6}{2} = 3$; Number of coils, C = number of commutator segments = 6

Number of coil sides = $2C = 12$; Therefore, coil sides per slot = $\frac{12}{6} = 2$

From equation 3.2, the back pitch, $Y_b = \frac{2C}{P} + K = \frac{12}{2} + K = 6 + 1 = 7$ (odd integer)

From equation 3.3, the winding Pitch, $Y = +2$ for progressive winding (even integer). From equation 3.5, the front pitch, $Y_f = Y_b - Y = 7 - 2 = 5$ (odd integer). Starting with coil side 1 (back end side), back pitch is added to obtain the bottom layer coil side, i.e., 8 (back end side). To the coil side 8 (front end side), front pitch is subtracted to obtain the top layer coil side, i.e., 3 (front end connection). Proceeding in similar way, all the coil sides are connected and a winding table, as shown in Table 5.1.

Table 5.1 : Winding table for 2 pole, 6 slot simplex lap winding

S.No.	Top coil Side ($-Y_f$)	Bottom coil Side ($+Y_b$)
1	1	8
2	3	10
3	5	12
4	7	2
5	9	4
6	11	6

To draw the main winding diagram, first draw 6 solid vertical lines (equal to no. of coils) of equal length and equal distance. Next, draw 6 dotted lines nearer to the solid lines of same length and distance, as shown in Fig. 5.1.

Assign odd numbers to the top layer coil sides of the solid lines and even numbers to the bottom layer coil sides of the dotted lines.

Give the back end and front end connections with reference to the Table 5.1. Then, draw solid vertical lines (equal to no. of coils) from the top mid-point of each front end connections, as shown in Fig. 5.1.

Represent commutator segments (equal to no. of coils) by rectangular boxes below the front end connections, as shown in Fig. 5.1.

Divide the armature slots (or coils) by the number of poles. This gives the allocation of coil sides to pole regions. In this example, the number of slots are 6 and number of poles are 2. So, the north pole, N region, covers first 3 coils (say 1 to 6) in Fig. 5.1. The south pole, S covers coil sides 7 to 12.

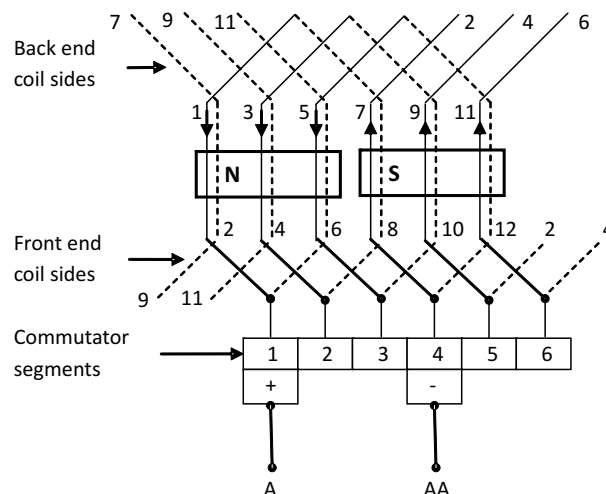


Fig. 5.1- Main winding diagram

Find the current direction by applying Fleming's right hand rule, when the mode of operation is a generator and Fleming's left hand rule, when the mode of operation is a motor. Or the current direction to all coil sides can be arbitrarily assumed. Mark downward current direction for the coil sides under the north pole regions and upward current direction under south pole regions, as shown in Fig. 5.1.

To fix the brush arm positions and to find the number of parallel paths offered by the armature winding, commutator ring diagram is used, as shown in Fig. 5.2.

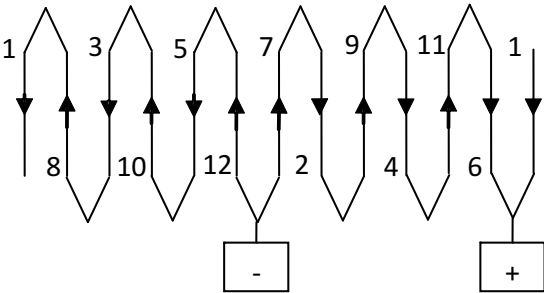


Fig. 5.2 - Commutator ring diagram

Draw the vertical solid lines equal to number of coil sides and join them with reference to Table 5.1, as shown in Fig. 5.2. Also mark the current direction through the coil sides with reference to main winding diagram in Fig. 5.2.

Look for adjacent pair of coil sides having the same current direction. For coil sides 12 and 7 carry which carry upward currents, mark negative brush arm, and for coil sides 6 and 1 carry downward currents, mark positive brush arm, as shown in Fig. 5.2. Brush arms should be equal to the number of poles.

Now, transfer the brush arms to the main winding diagram in Fig 5.1. Mark positive brush arm below the commutator segment 1, where the coil sides 1 and 6 meet. Similarly, mark negative brush arm below the commutator segment 4, where the coil sides 2 and 12 meet. Tap out two leads and mark A for positive brush arm and AA for negative brush arms. These two leads now indicate the armature terminals of a dc machine.

To decide the number of parallel paths offered by the lap winding, redraw Fig. 5.2 as shown in Fig. 5.3.

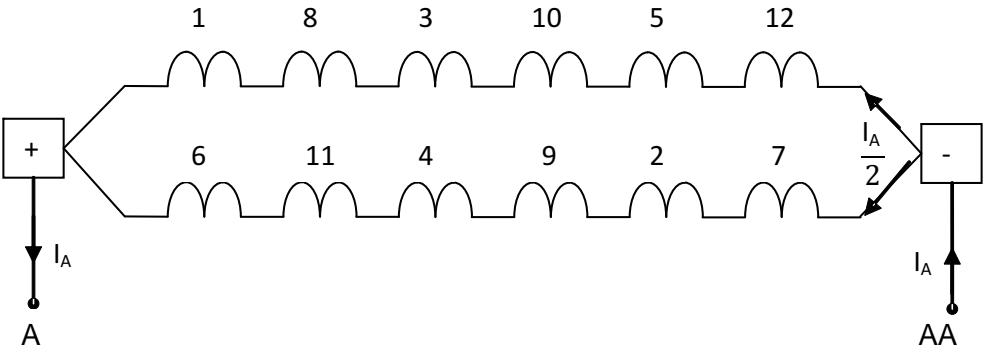


Fig. 5.3 - Paralled paths for 2 pole 6 slot simplex lap winding

From Fig. 5.3, it can be seen that the number of parallel paths in a lap winding, will be equal to number of poles. $A = P$ 5.1

where A = number of parallel paths; P = number of poles

The current through each armature coil / conductor will be the ratio of the total armature current by the number of parallel paths, ie.,

$$I = \frac{I_A}{A} \quad 5.2$$

where I = current through each armature conductor/coil; I_A = total armature current

5.3 DOUBLE LAYER DUPLEX LAP WINDING DIAGRAM

Develop a winding diagram for a 4 pole, 12 slot duplex lap connected dc machine. Indicate the position of brushes.

Solution : Slots per pole = $\frac{12}{4} = 3$; Number of coils, C = number of slots = 12

Number of coil sides = $2C = 24$; From equation 3.2, the back pitch, $\frac{2C}{P} + K = \frac{24}{4} + K = 6 + K = 7$

From equation 3.3, the winding Pitch, $Y = +2m = +4$ for progressive winding ($m = 2$ for duplex winding); From equation 3.5, the front pitch, $Y_f = Y_b - Y = 7 - 4 = 3$

Combining two simplex lap windings gives duplex lap windings.

Starting with coil side 1 (back end side), back pitch is added to obtain the bottom layer coil side, ie., 8 (back end side). To the coil side 8 (front end side), front pitch is subtracted to obtain the top layer coil side, ie., 5 (front end connection). Proceeding in similar way, all the coil sides are connected and a winding table, as shown in Table 5.2.

Table 5.2 Winding Table for 4 pole 12 slots duplex lap winding

To draw the main winding diagram, first draw 12 solid vertical lines (equal to no. of coils) of

1 Set of simplex winding		2 Set of simplex winding	
Top coil Side (- Y_f)	Bottom coil Side (+ Y_b)	Top coil Side (- Y_f)	Bottom coil Side (+ Y_b)
1	8	3	10
5	12	7	14
9	16	11	18
13	20	15	22
17	24	19	2
21	4	23	6

equal length and equal distance. Next, draw 12 dotted lines nearer to the solid lines of same length and distance, as shown in Fig. 5.4.

Assign odd numbers to the top layer coil sides of the solid lines and even numbers to the bottom layer coil sides of the dotted lines.

Give the back end and front end connections with reference to the Table 5.2. Then, draw solid vertical lines (equal to no. of coils) from the top mid-point of each front end connections, as shown in Fig. 5.4.

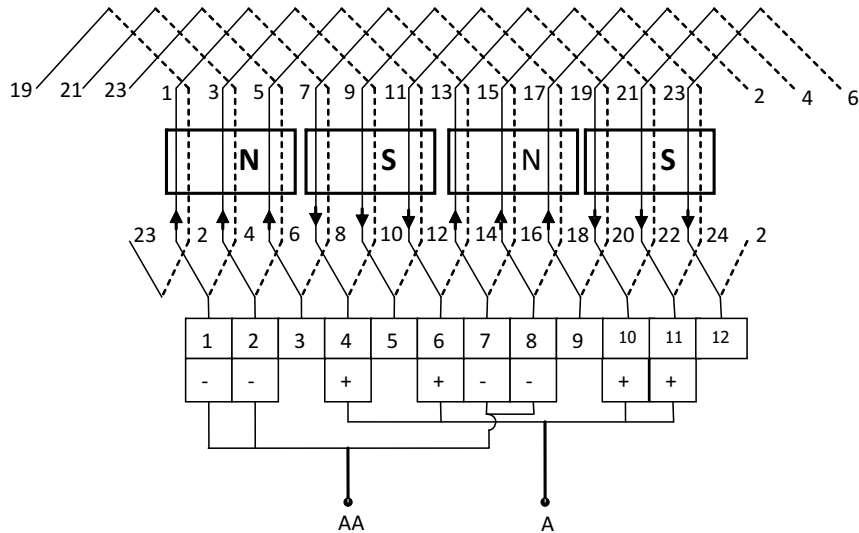


Fig. 5.4 - Main winding diagram

To fix the brush arm positions, commutator ring diagram is used, as shown in Fig. 5.5.

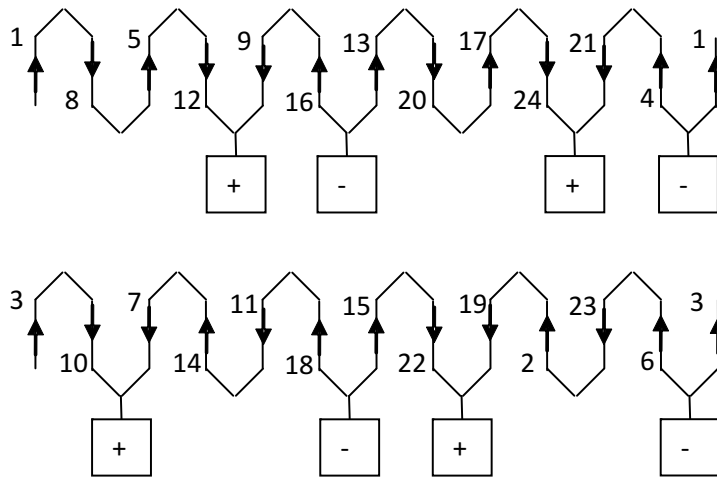


Fig. 5.5 - Commutator ring diagram

Now, transfer the brush arms to the main winding diagram. Tap out two leads and mark A for positive brush arm and AA for negative brush arms. These two leads now indicate the armature terminals of a dc machine.

5.4 DOUBLE LAYER SIMPLEX WAVE WINDING DIAGRAM

Problem 1 : Draw the winding diagram for a 2 pole, 6 slot double layer simplex wave connected dc machine with commutator having 12 segments. Indicate the position of brushes.

Solution : Slots per pole = $\frac{6}{2} = 3$; Number of coils, C = number of commutator segments = 6
 Number of coil sides = 2C = 12; Therefore, coil sides per slot = $\frac{12}{6} = 2$; The back pitch,
 $Y_b = \frac{2C}{P} + K = \frac{12}{2} + K = 6 - 1 = 5$ (odd integer); The winding pitch, $Y = \frac{2C + 12m}{P} = \frac{12}{2} = 10$
 (even integer); Here m = 1 for simplex wave winding. The front pitch, $Y_f = Y - Y_b = 10 - 5 = 5$
 (odd integer)

Starting with top layer of coil side 1 (back end side), back pitch is added to obtain the bottom layer coil side, ie., 6 (back end side). To the coil side 11 (front end side), front pitch is added to obtain the top layer coil side, ie., 4 (16-12) (front end connection). Proceeding in similar way, all the coil sides are connected and Table 5.3 gives the winding table for 2 pole 6 slot simplex wave winding.

Table 5.3 : Winding table for 2 pole, 6 slot simplex wave winding

S.No.	Top coil Side (+Y _t)	Bottom coil Side (+Y _b)
1	1	8
2	11	4
3	9	2
4	7	12
5	5	10
6	3	8

To draw the main winding diagram, first draw 8 solid vertical lines (equal to no. of coils) of equal length and equal distance. Next, draw 8 dotted lines nearer to the solid lines of same length and distance, as shown in Fig. 5.6.

Assign odd numbers to the top layer coil sides of the solid lines and even numbers to the bottom layer coil sides of the dotted lines.

Give the back end and front end connections with reference to the Table 5.3. Divide the armature slots (or coils) by the number of poles. This gives the allocation of coil sides to pole regions. In this example, the number of slots are 6 and number of poles are 2. So, the north pole, N region, covers first 3 coils (say 1 to 6) in Fig. 5.6. The south pole, S covers coil sides 7 to 12.

Find the current direction by applying Fleming's right hand rule, when the mode of operation is a generator and Fleming's left hand rule, when the mode of operation is a motor. Or the current direction to all coil sides can be arbitrarily assumed. Mark downward current direction for the coil sides under the north pole regions and upward current direction under south pole regions, as shown in Fig. 5.6.

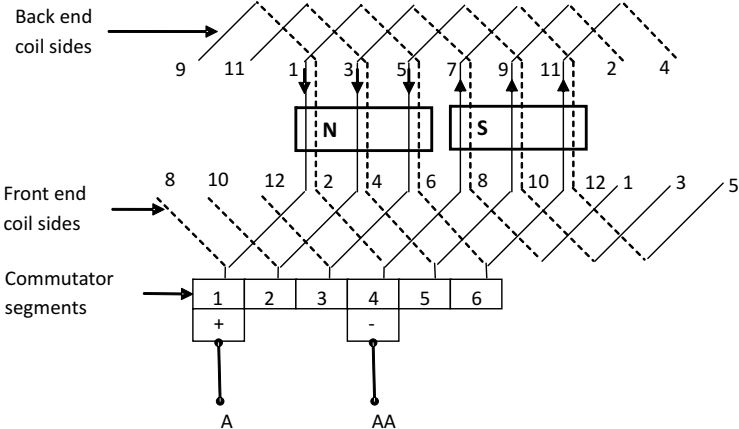


Fig. 5.6 - Main winding diagram for 2 pole 6 slot simplex wave machine

To fix the brush arm positions and to find the number of parallel paths offered by the armature winding, commutator ring diagram is used, as shown in Fig. 5.7.

Draw the vertical solid lines equal to number of coil sides and join them with reference to Table 5.3, as shown in Fig.5.7. Also mark the current direction through the coil sides with reference to main winding diagram in Fig. 5.7.

Look for adjacent pair of coil sides having the same current direction. For coil sides 12 and 7 carry which carry upward currents, mark negative brush arm, and for coil sides 6 and 1 carry downward currents, mark positive brush arm, as shown in Fig. 5.7. Brush arms should be equal to the number of poles.

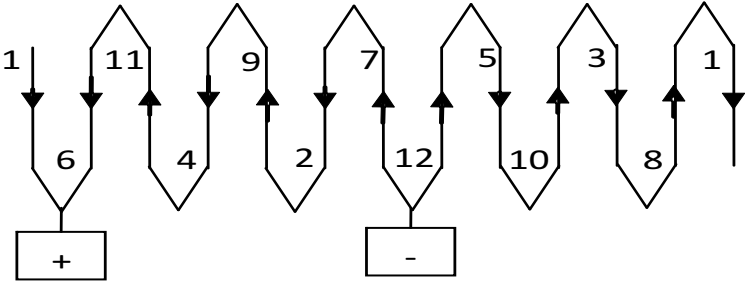


Fig. 5.7 - Commutator ring diagram

Now, transfer the brush arms to the main winding diagram. Mark positive brush arm below the commutator segment 1, where the coil sides 1 and 6 meet. Similarly, mark negative brush arm below the commutator segment 4, where the coil sides 2 and 12 meet. Tap out two leads and mark A for positive brush arm and AA for negative brush arms. These two leads now indicate the armature terminals of a dc machine.

To decide the number of parallel paths offered by the wave winding, redraw Fig. 5.7 as shown in Fig. 5.8.

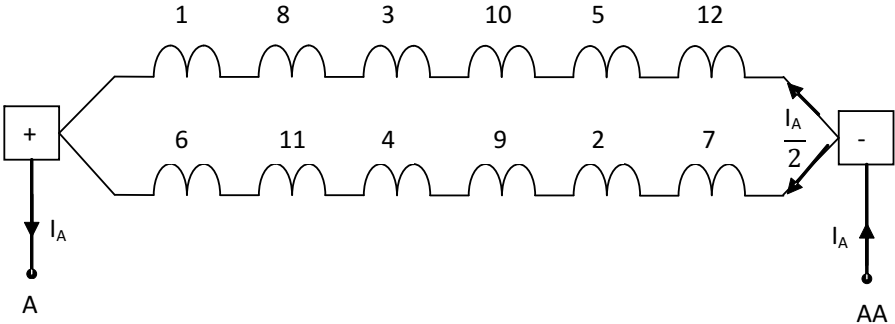


Fig. 5.8 - Parallel paths for 2 pole 6 slot simplex lap winding

From Fig. 5.8, it can be seen that the number of parallel paths in a wave winding, will be equal to two, i.e., 2, irrespective to the number of poles.

$$A = 2 \tag{5.3}$$

where A = number of parallel paths; The current through each armature coil / conductor will be the ratio of the total armature current by the number of parallel paths, i.e.,

$$I = \frac{I_A}{A}$$

where I = current through each armature conductor/coil; I_A = total armature current

Problem 2 :

Develop a winding diagram for a 4 pole, 13 slot double layer simplex wave connected dc machine with 13 commutator segments. Indicate the position of brushes.

Solution: Number of coils, C = number of commutator segments = 13; Number of coil sides = $2C = 26$; Therefore, coil sides per slot = $\frac{26}{13} = 2$; The back pitch, $Y_b = \frac{2C}{P} + K = \frac{26}{4} + K = 6.5 + 0.5 = 7$ (odd integer); The winding pitch, $Y = \frac{2C+2m}{2} = \frac{26+2}{2} = 14$ (even integer); Here $m = 1$ for simplex wave winding. The front pitch, $Y_f = Y - Y_b = 14 - 7 = 7$ (odd integer).

Table 5.4 gives the winding table for 4 pole 13 slot simplex wave winding.

Table 5.4: Winding table

To draw the main winding diagram, first draw 13 solid vertical lines (equal to no. of coils) of

S.No.	Top coil Side (+Y _f)	Bottom coil Side (+Y _b)
1	1	8
2	15	22
3	(29-26) 3	10
4	17	24
1	(31 - 26) 5	12
2	19	26
3	(33 - 26) 7	14
4	21	(28 - 26) 2
5	9	16
6	23	(30 - 26) 4
7	11	18
8	25	(32 - 26) 6
9	13	20

equal length and equal distance. Next, draw 13 dotted lines nearer to the solid lines of same length and distance, as shown in Fig. 5.9.

Give the back end and front end connections with reference to the Table 5.4. Divide the armature slots (or coils) by the number of poles. This gives the allocation of coil sides to pole regions. In this example, the coil sides 13 and 14 lie in the interpolar region. So a 'O' is marked, as shown in Fig. 5.9.

Find the current direction by applying Fleming's right hand rule, when the mode of operation is a generator and Fleming's left hand rule, when the mode of operation is a motor. Or the current direction to all coil sides can be arbitrarily assumed. Mark downward current direction

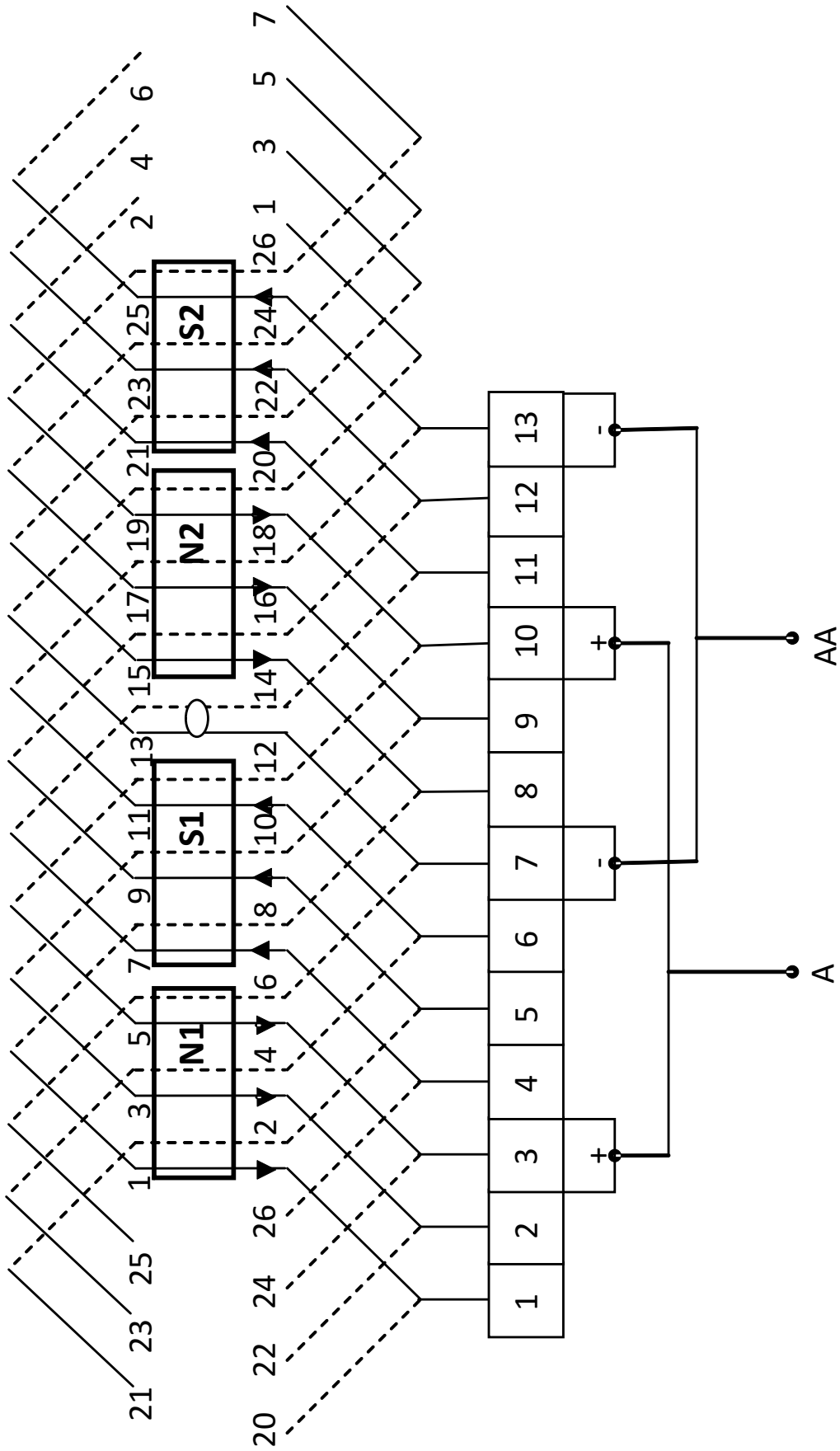


Fig. 5.9 - Main winding diagram for 4 pole 13 slot simplex wave winding

for the coil sides under the north pole regions and upward current direction under south pole regions, as shown in Fig. 5.9.

To fix the brush arm positions and to find the number of parallel paths offered by the armature winding, commutator ring diagram is used, as shown in Fig. 5.10.

Look for adjacent pair of coil sides having the same current direction. For coil sides 26 and 7 carry which carry upward currents, mark negative brush arm, and for coil sides 20 and 1 carry downward currents, mark positive brush arm, as shown in Fig. 5.10.

Now, transfer the brush arms to the main winding diagram. Mark positive brush arm below

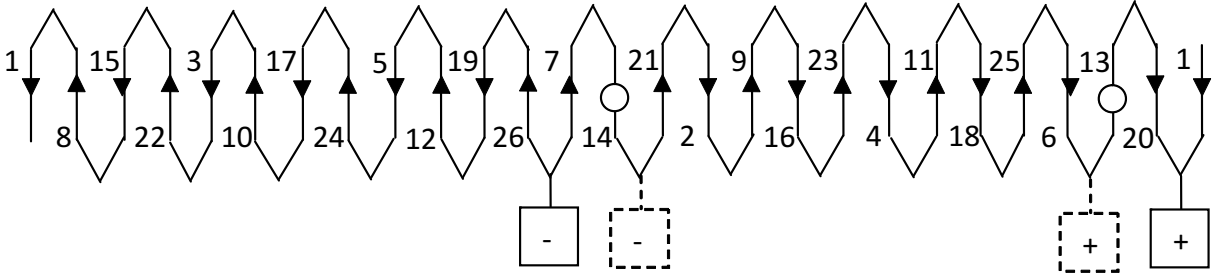


Fig. 5.10 - Commutator ring diagram

the commutator segment 1, where the coil sides 1 and 6 meet. Similarly, mark negative brush arm below the commutator segment 4, where the coil sides 2 and 12 meet. Tap out two leads and mark A for positive brush arm and AA for negative brush arms. These two leads now indicate the armature terminals of a dc machine.

To decide the number of parallel paths offered by the wave winding, redraw Fig. 5.10 as shown in Fig.5.11.

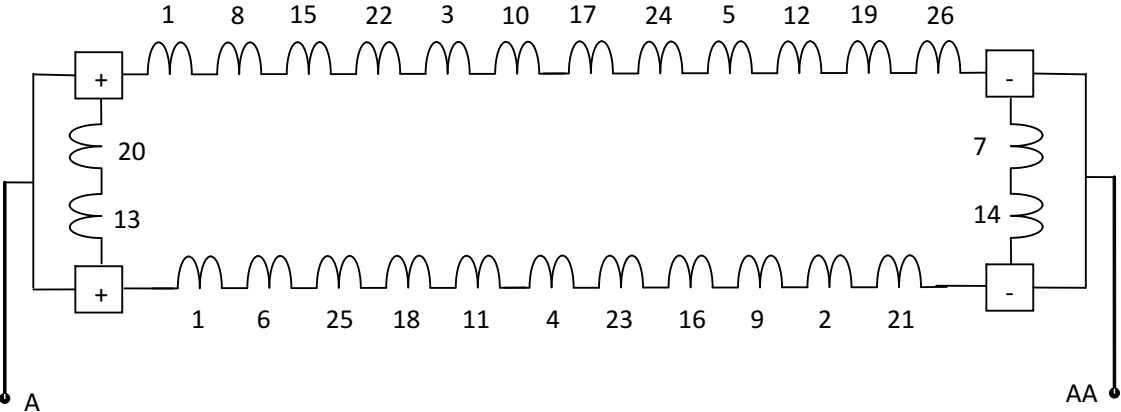


Fig. 5.11 - Parallel paths for 4 pole 13 slot simplex wave winding

From Fig. 5.11, it can be seen that the number of parallel paths in a wave winding, will be equal to two, ie., 2, irrespective to the number of poles.

$$A = 2$$

where A = number of parallel paths.

QUESTIONS

Part - A

Choose the Correct Answer

(1 Mark)

- The value of back pitch of a dc armature winding should be
A) a even integer B) an odd integer C) equal to one D) a prime number
- When a dc machine is operating as a generator, to find the current direction in the armature winding _____ is used.
A) Fleming's left hand rule B) Ohm's law
C) Fleming's right hand rule D) Kirchhoff's law
- The number of parallel paths offered by the lap winding of a dc machine is
A) equal to 2 B) equal to P C) equal to 2P D) equal to P/2
- The number of brush arms for a duplex lap winding for a 4 pole dc machine is
A) equal to 1 B) equal to 2 C) equal to P D) equal to 2P
- The number of parallel paths offered by the wave winding of a dc machine is
A) equal to 2 B) equal to P C) equal to 2P D) equal to P/2

Part - B

Answer the following questions in one or two words

(1 Mark)

- What should be the value of back pitch of a dc armature?
- What rule is used to find the current direction in the armature winding of a dc generator?
- What is the number of parallel paths offered by the lap winding of a dc machine?
- What is the number of parallel paths offered by the wave winding of a dc machine?
- What is the number of brush arms of a duplex lap winding for a 2 pole dc machine?

Part - C

Answer the following questions briefly

(4 Marks)

- Calculate the back, front and winding pitches for a 2 pole, 6 slot simplex lap connected dc machine with commutator having 6 segments.
- Calculate the back, front and winding pitches for a 4 pole, 12 slot duplex lap connected dc machine.
- Calculate the back, front and winding pitches for a 2 pole, 6 slot double layer simplex wave connected dc machine with commutator having 12 segments.
- Calculate the back, front and winding pitches for for a 4 pole, 13 slot double layer simplex wave connected dc machine with 13 commutator segments.

Part - D

Answer the following questions in two page level

(20 Marks)

- Draw the winding diagram for a 2 pole, 6 slot simplex lap connected dc machine with commutator having 6 segments. Indicate the position of brushes.
- Develop a winding diagram for a 4 pole, 12 slot duplex lap connected dc machine. Indicate the position of brushes.
- Draw the winding diagram for a 2 pole, 6 slot double layer simplex wave connected dc machine with commutator having 12 segments. Indicate the position of brushes.

6. REWINDING AND TESTING OF ELECTRIC MOTORS

6.1 METHOD OF REWINDING

To start the armature winding, the armature is mounted on the winding stand as in Fig. 6.1, then the shaft, armature core and slots are insulated as per the insulation scheme taken from the data.

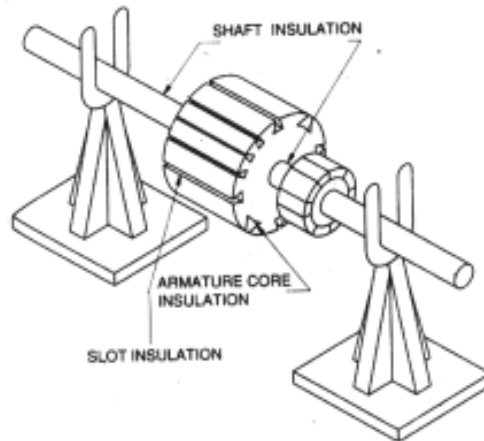


Fig. 6.1 - Armature on winding stand

6.2 WINDING METHODS: There are two methods of winding the armature 1) Hand winding
2) Formed coil winding

Hand winding: For hand winding, four numbers of slot feeders are laced in the two designated slot at a distance from the coil pitch.

The required number of turns are wound into the slots, say slots Nos. 1 and 4 as in Fig. 6.2. Enough tension is applied on the wire to make a tight winding without breaking the wire.

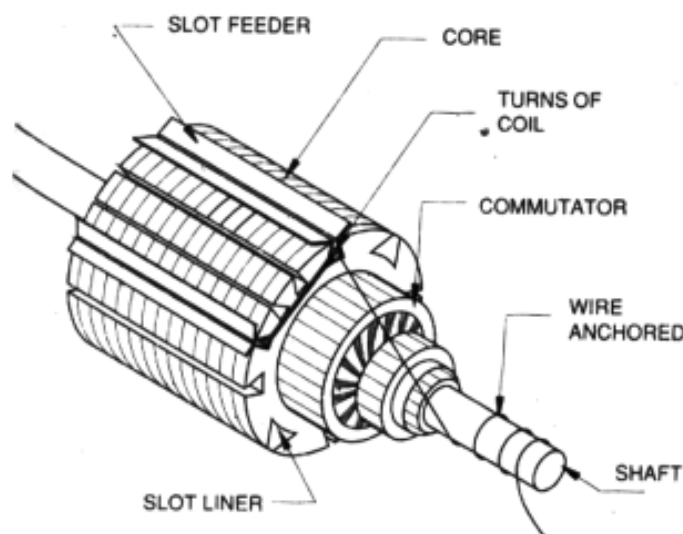


Fig. 6.2

A loop is made at the end of the first coil and the beginning of the second coil. The second coil is started in the designated slot and the coil is wound with the same number of turns as in coil 1. The span of coil 2, has to be equal to that of coil 1. When the second coil is finished, a loop is made again and then the third coil is started. In this manner the winding is continued, until all the coils have been wound. The end lead of the last coil is connected to the beginning lead of the first coil. After the entire armature is wound, there will be two coil sides in each slot, in double layer winding. It has to be ensured that all the coils have the same pitch and turns. The loops made at the end of the coils will look as shown in Fig. 6.3, and have to be connected to the commutator raisers. The procedure of making loops while winding, explained here, is for simplex lap winding. This method is usually adopted for small armatures. For wave winding and multiplex windings, connection for raisers shall be taken from the coil ends according to the winding pattern.

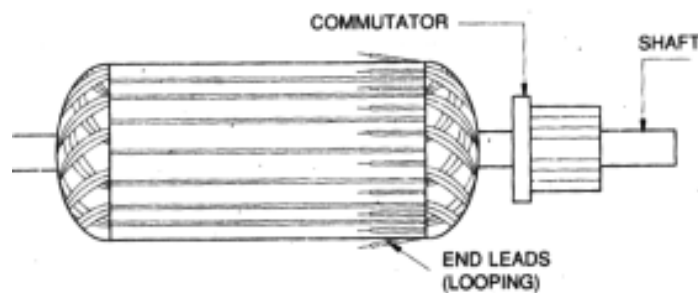


Fig. 6.3

Formed coil winding: For this method, wooden formers are made to the dimensions of the armature coils, similar to those of the field coils in section 3.4. The total number of coils required for the armature are wound and kept ready. The inactive side of the coils is bound with tape and tied with cotton strings as shown in Fig. 6.4.

The active side of the coil is spread as in Fig. 6.5 and the coil sides are inserted in the respective armature slots, conductor by conductor as shown in Fig. 6.6. Similarly all the coils of the armature are placed in the respective slots and the coil ends are looped and soldered to the respective commutator segments.

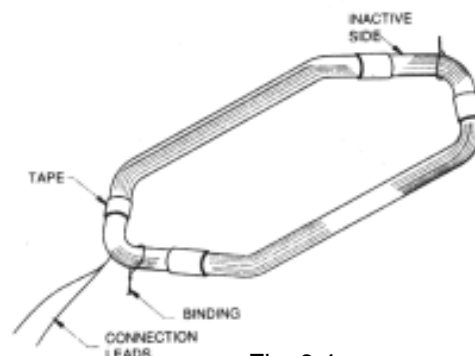


Fig. 6.4

Lead swing : One of the most important operations in winding an armature is to lace the coil leads in the proper commutator bars. Leads may be placed in the bars in any of the three different positions, depending on the original location.



Fig. 6.5

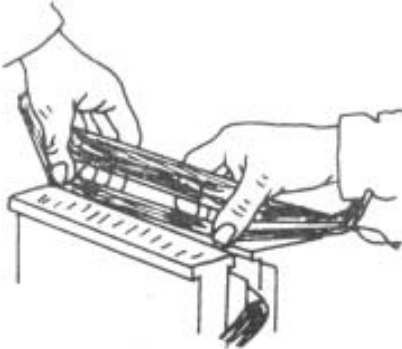


Fig. 6.6

The following method is used in determining the position of the leads in the commutator.

Stretch a piece of cord or string through the centre of a slot, as shown in Fig. 6.7, a, b, & c. Note whether it is in alignment with the commutator bar or with the mica between the bars.

If the data call for a lead swing of the three bars to the right, lace the lead of the first coil three bars to the right, counting the bar that lines up with the slot as no 1. All the other leads follow in succession.

If the centre of the slot is in line with the mica, consider the bar to the right of the mica as bar No.1. Connection of winding ends with the commutator segments.

After winding the armature, the end leads of the armature conductors are laced in the slits of the commutator raisers. (Raiser slits should be properly cleaned and well reared to receive the conductors.)

For secure and good electrical contact, these conductors are well cleaned to remove insulation and dirt. Then the conductor ends are laced in the respective raiser slits and soldered brazed or hot-stacked.

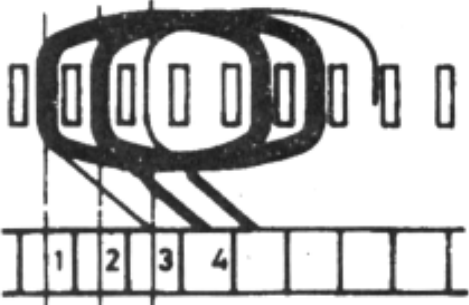


Fig. 6.7a

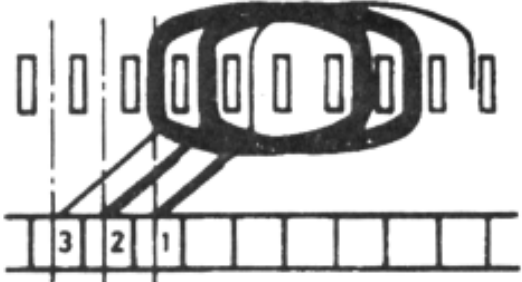


Fig. 6.7b

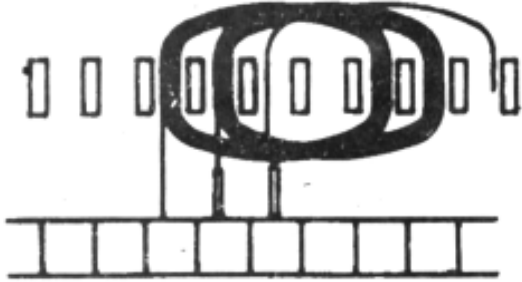


Fig. 6.7c

Soldering: For soldering, electric irons are generally used on small armatures and gas irons on the larger ones. The size of the iron used depends on the size of the commutator. Leads are soldered to the commutator by means of soldering iron or torch. The procedure of soldering is as follows.

First the soldering flux is applied over the wires to be soldered and also the identified commutator raiser. The wires are then laced in the respective raisers. Then the tip of the soldering iron is kept on the commutator raiser as shown in Fig. 6.8, for sometime until the heat from the iron is transferred to the area of the commutator raiser.

This heat transfer could be identified by the bubbling of the flux. When the commutator raiser is sufficiently hot, the solder is placed on the commutator raiser, and the iron is kept over it and the solder is allowed to flow entirely around the leads.

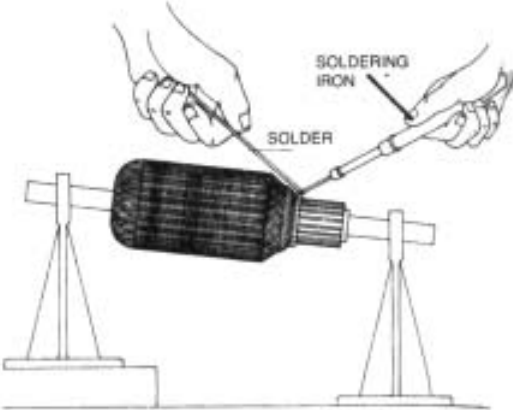


Fig. 6.8

To prevent the solder from flowing down the back of the commutator and thereby causing short circuits, raise one end of the armature. To prevent the solder from flowing from one bar to another, the iron is held as shown in Fig.6.9. Excess flux is wiped out after the soldering is completed.

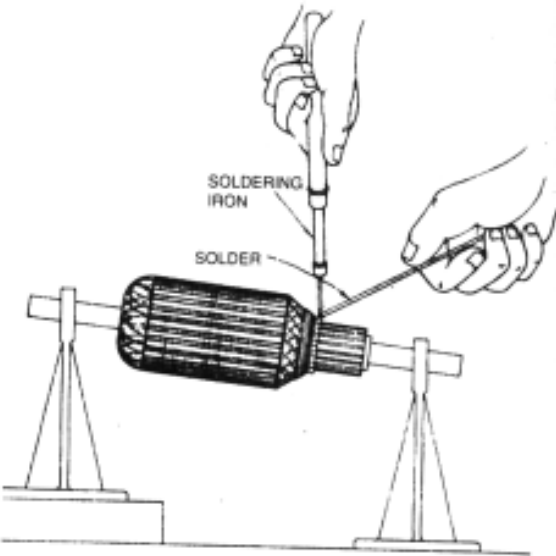


Fig. 6.9

Brazing: In the case of large armature windings, the armature winding lead ends are brazed with the respective commutator raiser slits by means of a gas torch. Close inspection and care should be exercised in the control of the flame.

Hot stacking : In the case of small DC armature conductors are kept in the commutator raiser slits and spot welded. This is called hot stacking. A specially designed hot-stacking machine is available for this purpose.

Banding the armature : A temporary banding is sometimes applied on the armature before the permanent banding is done, to keep the coils in position and to facilitate shaping of the overhang. Permanent bands are used on armatures to hold the armature end leads in position. A cord band is used on small armatures to prevent the leads from flying out of the slots, while the armature is rotating.

Large armatures have steel bands for the same purpose. For large armatures having open-type slots, steel or tae bands are used to prevent the coil from flying out of the slots.

Cord bands : The procedure for making a cord band on an armature is shown in Fig. 6.10, and the following directions should be observed. Use a proper size of banding cord heavy for larger armatures, light for smaller armatures. Start at the end nearest the commutator and wind several turns in layers, allowing about 150mm long cord at the beginning to be free. Bend the cord in the form of a loop.

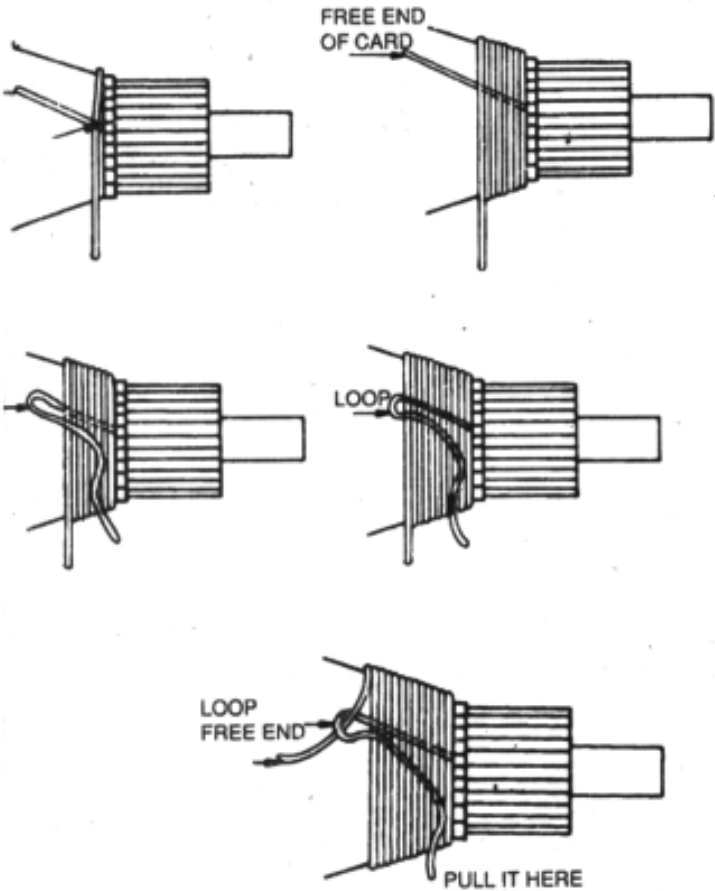


Fig. 6.10

After winding several turns over the loop, insert the last end of the cord band through the loop, and then pull the free end of the loop. This will pull the end under the Core band and secure it there. Then the pulled end of the cord can be cut off. Use enough pressure in winding so that the band will be tight.

Steel bands : Steel bands are laced on the front and back ends of the coils. These bands are up on the armature in a different manner than in the cord bands. The procedure is illustrated in Fig. 6.11, and is as follows. Place the armature in a lathe and lace mica or paper insulation in the band slot around the entire armature to insulate the band from the coil sides. Hold the insulation in lace by tying a turn of cord around it.

Place small strips of tin or copper under the cord, equidistant around the armature, in order to secure the band after it is wound. Use the same gauge steel band wire as is found in the original band. Steel bands must be up on the armature with much more pressure than is needed for cord bands. It is therefore, necessary to utilize a device called a wire clam to provide the required pressure.

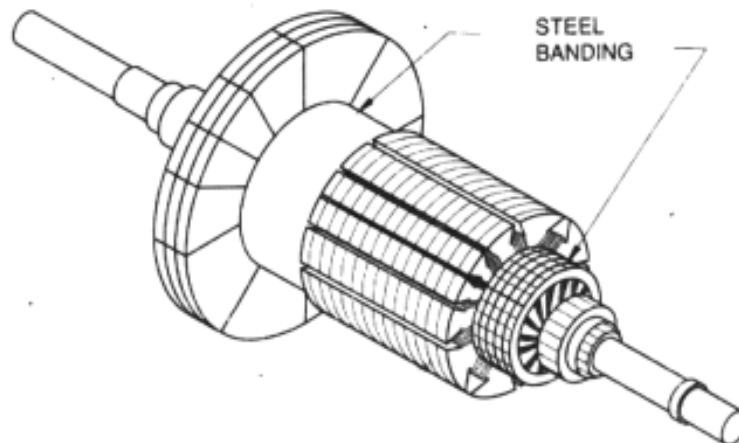


Fig. 6.11

This device consists of two pieces of fibre fastened together by means of two screws and two wing nuts. The steel band wire is fed through this clam to the armature. The clam has to be secured to a bench so that it can be held stationary while slowly turning the armature while banding.

Take care not to up too much pressure on the wire, otherwise it will break. After the band is laced on the coil, copper or tin strips are turned over and the entire bend is soldered. One by one each band is completed in this manner.

Testing the new winding : After the rewinding and connections are completed, it is important that both the winding and the connections are tested for shorts, grounds, open circuits and correctness of connections. This must be done before varnishing the winding so that any defect that is found may be corrected more readily.

Baking and varnishing : After the armature has been wound, soldered and banded and tested, the next operation is varnishing. This process makes it moisture-proof and also prevents vibration of the coils of wire in the slots. Vibration has a tendency to impair the insulation on the wires and cause shorts. Moisture will also cause the insulation on the wires to deteriorate. Before varnishing the armature, it must be reheated to drive out the moisture on it. Armatures may be varnished by either baking varnish or air-drying varnish. Air-drying is applied to the armature when baking is undesirable or inconvenient. Baking varnish is more effective because the moisture can be eliminated fully only by baking.

Balancing the armature: Armatures should be tested for mechanical balancing after they are varnished. This is very important; otherwise undue vibration and unusual noises may be produced due to the imbalance of the armature. Ultimately it may lead to repeated bearing problems, loosening of nuts etc. Hence the armatures are balanced before assembly. Balancing of armature is mainly done, using dynamic balancing machines. Anyhow for small armatures static balancing can be done, when dynamic balancing machines are not available.

Static balancing: A balancer, similar to the balancing grinding wheel in machine shops, may be used. These balancers are built in various sizes. The method of balancing an armature using this type is as follows.

Place the armature on the balancing ways, as shown in Fig. 6.12 and roll the armature gently. When the armature comes to a stop, the heavier portion of the armature will be at the bottom. Mark this point (portion) with a chalk piece. With such successive rolling, if the armature stops at different positions, the armature is balanced, and if it stop in a particular position, it is necessary to counterbalance it with weights diagonally opposite to the heavy portion.

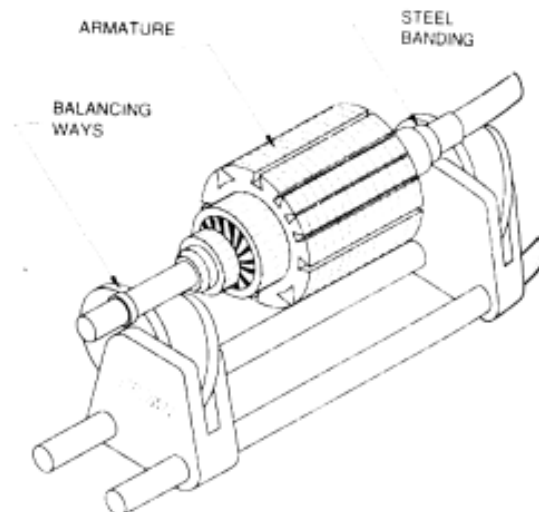


Fig. 6.12

This is accomplished by lacing a lead or a small metal piece on the banding of the armature. In small armatures, this weight may be laced in the lace of the wedge, under the banding. Experience will determine the amount of metal necessary to balance the armature. This method of balancing is called 'static balancing'.

Dynamic balancing : Dynamic balancing machines are available to balance the armature or rotating the parts of electrical machines. The armatures are fixed on those machines and rotated at the rated speed. A pointer or an indicator shows the position on the armature and the weight to be added. The balancing machines available are either with the mechanical balancing or with the stroboscopic balancing.

6.3 TESTING OF ARMATURE: After an armature is wound and the leads are connected to the commutator, a test should be conducted. From this test, defects may be revealed, which might have occurred during winding.

The common defects in armature windings are grounding, shorts in the coils, open in the coil and reversal in the coil connection. These defects can be located by different test procedures.

Armature winding resistance test : Resistance of the armature coils measured by using a low range ohmmeter and preferably with the Kelvin bridge. Resistance between consecutive segments in the case of simplex Ia winding (for wave and multiplex windings at a distance of commutator pitch Y_c) is measured.

Fig. 6.13 shows a simple arrangement to measure the resistance between the successive commutator segments. As shown in this Figure, a cotton tape with a counterweight is passed around the commutator to hold the connecting leads to the segments.

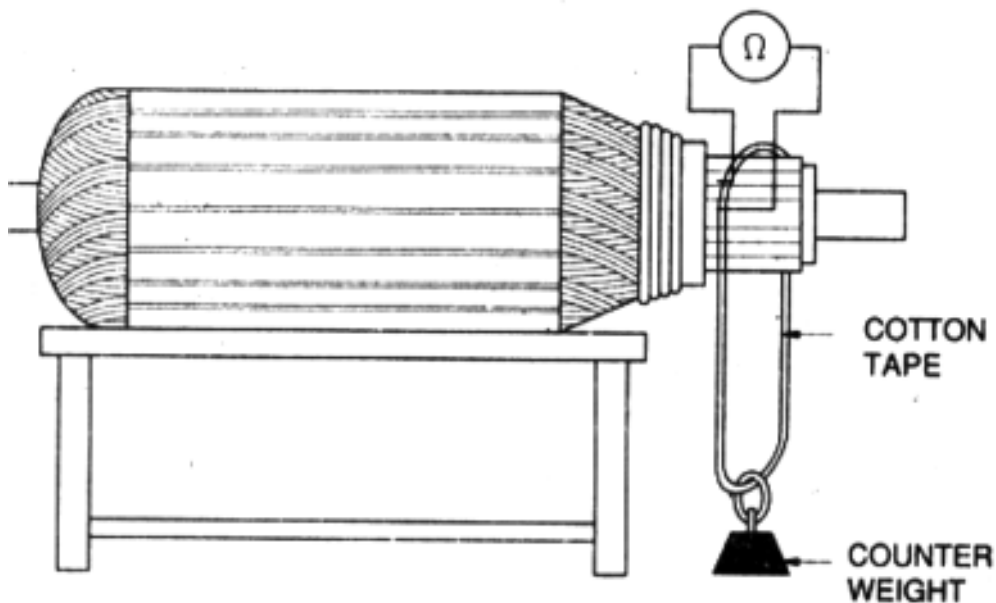


Fig. 6.13

Measurement of resistance is done in all the coils by changing the position of the connecting leads to successive commutator segments. The resistance measured should be the same in all coils. Lower resistance shows short in turns, while a higher resistance shows higher numbers of turn or open in the coil.

6.4 INSULATION RESISTANCE TEST : With a bar copper wire, short all the commutator segments, as shown in Fig. 6.14.

Test the insulation resistance between the body and the commutator or segments by a 500V Megger, for armatures rated upto 250 volts.

The IR so measured shall be greater than 1 mega-ohm. If the value is less than 1 mega-ohm, moisture in the winding or a weak insulation is to be suspected. This test is sometimes conducted by a series test lam and is called the ground test. It will only indicate if any coil is grounded, and not the insulation resistance.

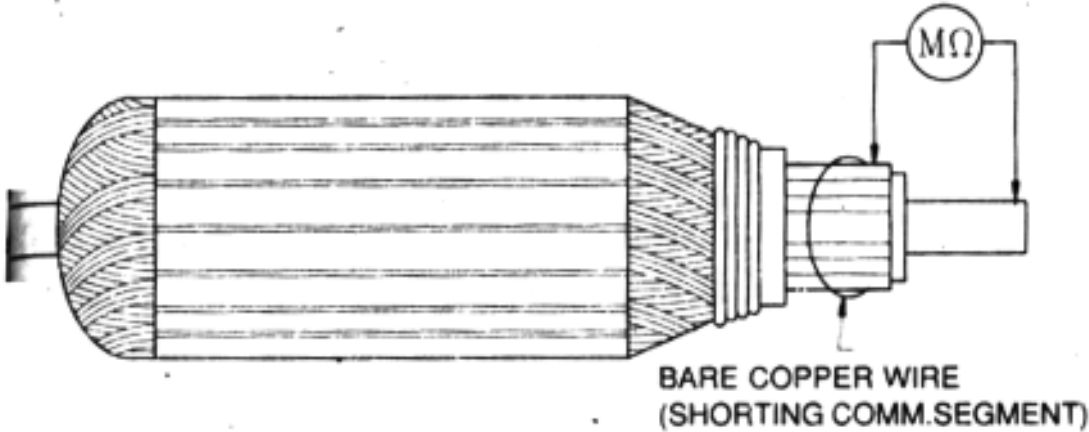


Fig. 6.14

6.5 GROWLER TEST : A simple and most common method to test armature winding for short and open coils is by a growler. There are two types of growlers. 1) Internal growlers 2) External growlers.

An external growler is used for testing small armatures and an internal growler for large DC armatures and AC motor stator windings.

External growler

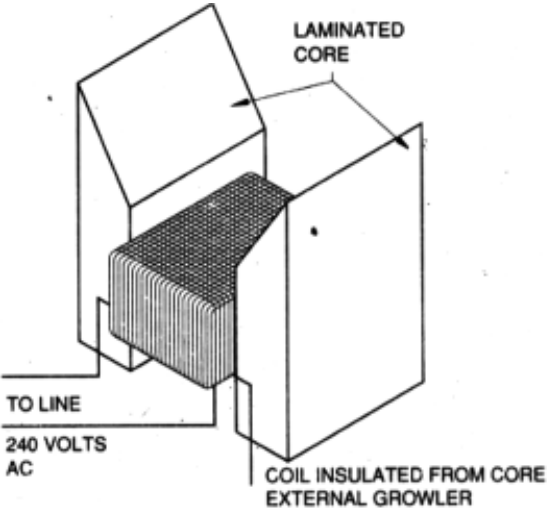


Fig. 6.15

An external growler shown in Fig. 6.15 is an electromagnetic device that is used to detect and locate grounded, shorted and open coils in an armature. This growler consists of a coil wound around an iron core and is connected to a 240 volt AC line. The core is generally H shaped and cut out on top so that the armature will fit on it, as shown in Fig. 6.16.

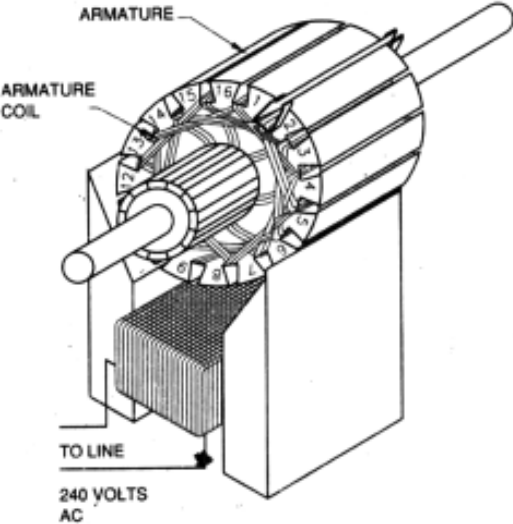


Fig. 6.16

When an alternating current is applied to the growler coil, the voltage will be induced in the armature coils by transformer action.

Internal growler : An internal growler, such as the one used for stators, may be used for armatures as well. These are made with or without built-in feelers. The growler with a built-in feeler has a flexible blade attached to the growler so that a hacksaw blade or similar instrument is not necessary. This type is especially desirable in smaller stators that have no room for a separate feeler. Fig. 6.17 shows an internal growler with a separate feeler, used for large armatures.

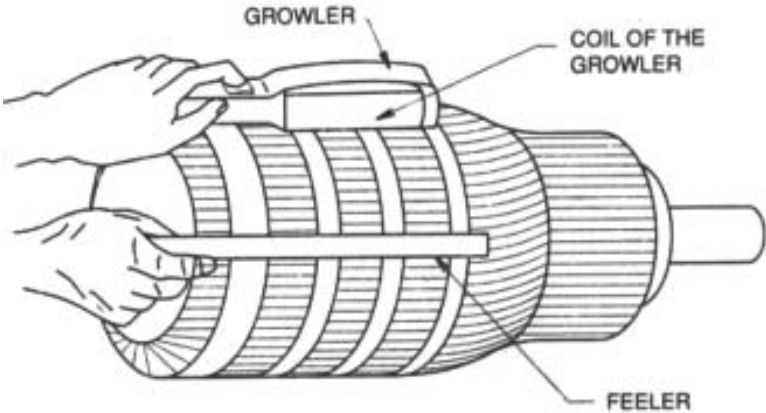


Fig. 6.17 Internal Growler

Growler test for grounded coil : The armature to be tested is placed on the growler and then the growler is switched 'ON'. Place one lead of an AC milli-voltmeter on the to commutator bar the other meter lead on the shaft, as shown in Fig. 6.18.

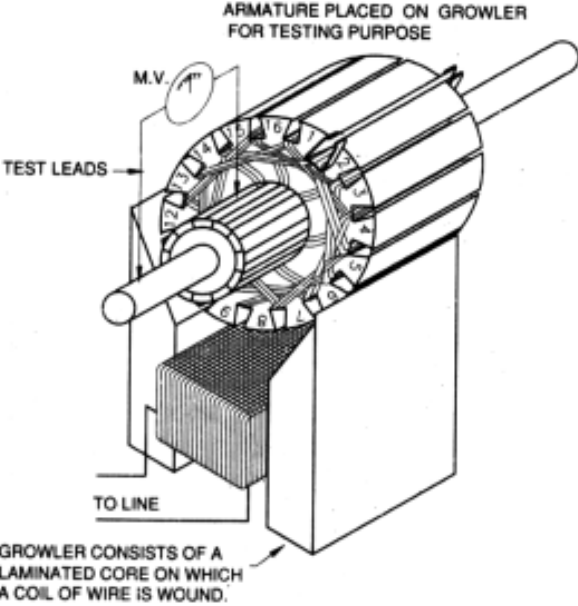


Fig. 6.18

If a reading is noticed on the meter, turn the armature so that the armature so that the next commutator bar is in same position as the earlier one, and test as before. Continue in this manner until all the bars are tested. Where the meter gives no deflection, it is an indication that the grounded coil is connected to this particular bar.

Growler test for shorted coil : The procedure to test for short circuits in an armature as follows.

The armature to be tested is placed on the growler and then the growler is switched on. A thin piece of metal, such as a hacksaw blade, is held over to the slot of the armature as shown in Fig. 6.19.

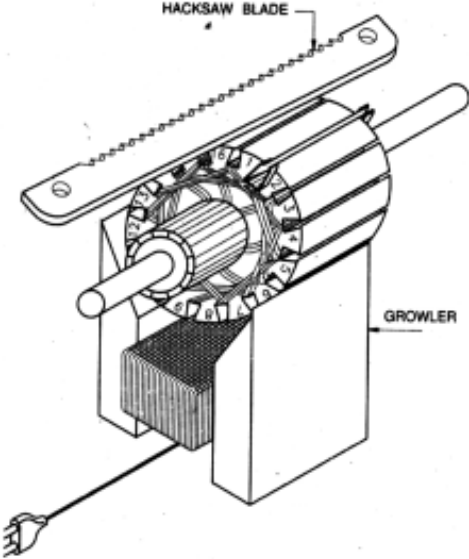


Fig. 6.19

In case of short in the winding, the blade will vibrate rapidly and create a growling noise. If the blade remains stationary, it is an indication that no short exists in the coil under test. After several slots have been given the hacksaw blade test, turn the armature so that the few slots are on to. Test as before and continue this procedure for the entire armature.

An armature having cross connections or equalizers cannot be given the hacksaw blade test. This type of armature will cause the blade to vibrate at every slot, which would seem to indicate that possibly every coil is shorted.

Test for open coil: Growlers are also provided with meters (milli-volt or ammeter) on the panel with variable resistance. In this case an open in the armature coil can be found out as follows.

Growler test for an open coil: To locate an open coil with a growler, set up the armature on the growler in the usual manner. Test the top two adjacent bars with an AC milli-voltmeter as shown in Fig. 6.20.

Rotate the armature and continue testing the adjacent bars. When the millivoltmeter bridges

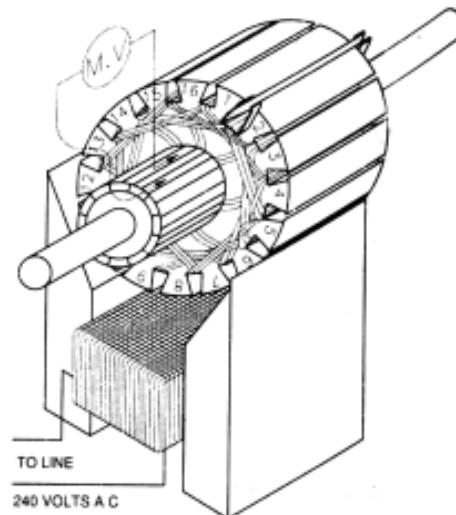


Fig. 6.20

the two bars connected to the open coil, the meter pointer will not deflect. All the other bars will give a deflection. This test for an open coil can be made without the meter by shorting the two top bars with a piece of wire.

Absence of a spark indicates that the coil is open. The open may be either at the commutator bar or in the coil itself. The procedure may be used to determine the location of the loads of a shorted coil. However, the hacksaw blade test is the most satisfactory method of determining a shorted coil.

6.6 DROP TEST: The most accurate method of testing the armature for correct resistance, number of turns, short and open reversed coil connection is by the drop test. Connect a low voltage DC supply across the commutator segments at a distance of pole pitch.

Insert a variable resistance in series with the circuit. Switch 'ON' the DC supply and connect a milli-voltmeter to the adjacent segments as in Fig. 6.21.

Adjust the readings to a specified value, by using a variable rheostat. Record the milli-voltmeter readings on the consequent commutator segments by rotating by rotating the armature

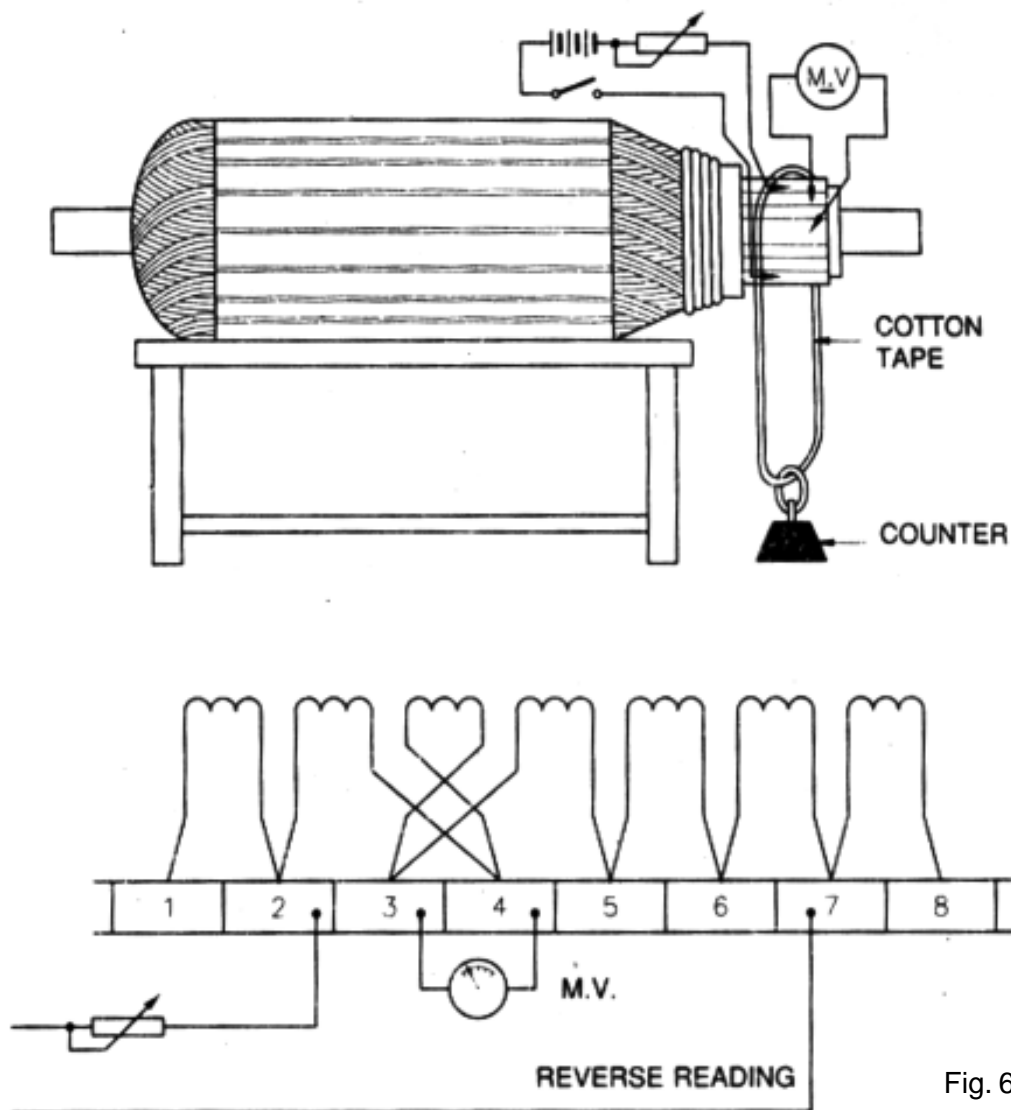


Fig. 6.21

in one direction. The position of the segments and the connection should be the same as in the first set up. The result could be concluded as enumerated below.

- 1) If all the readings are the same, the winding is correct.
- 2) If the millimeter reads zero or low voltage, the coil connected to the segment is short.
- 3) If the milli-voltmeter reads high voltage, the coil connected to the segments is open.
- 4) If the milli-voltmeter deflects in the reverse direction as shown in fig, the coil connected with the segments is reversed.

Generally armatures are tested as a routine for insulation resistance and for shorted coils. Only when a fault in the armature winding is suspected, a drop test is conducted.

QUESTIONS

Part - A

Choose the Correct Answer

(1 Mark)

1. In double layer winding to ensure that all the coils have the same pitch and turns, there will be _____ coil side(s) in each slot
A) one B) four C) six D) two
2. One of the most important operations in winding an armature is to lace the coil leads in the proper
A) commutator bar B) armature slot C) brushes D) poles
3. The size of the iron used for soldering depends on the size of the
A) brushes B) poles C) stator D) commutator
4. Small DC armature conductors are kept in the commutator raiser slits and spot welded. This is called
A) brazing B) hot stacking C) banding D) soldering
5. To prevent the leads from flying out of the slots, while the armature is rotating, _____ is used.
A) brazing B) soldering C) cord band D) lead swing

Part - B

Answer the following questions in one or two words

(1 Mark)

1. Name the process which makes the coil moisture-roof and also prevents vibration of the coils of wire in the slots.
2. Which has a tendency to impair the insulation on the wires and cause shorts?
3. Armatures should be tested for balancing after they are varnished. What is that balancing called?
4. How are the resistance of the armature coils measured?
5. Name an electromagnetic device that is used to detect and locate grounded, shorted and open coils in an armature.

Part - C

Answer the following questions briefly

(4 Marks)

1. Explain the different methods of winding.
2. What is meant by hot stacking?
3. Why is the armature banded? Explain.
4. What is the need for balancing the armature?
5. What is meant by static balancing?
6. What is meant by dynamic balancing?
7. Why is an armature tested after winding?
8. What are the different methods of testing?
9. What is meant by insulation resistance test?
10. What is growler's test? What are the different methods of growler's test?

Part - D

Answer the following questions in two page level

(20 Marks)

1. Explain with a neat sketch, the internal and external growler.
2. Explain the Growler test for A) a grounded coil and B) an open coil

7. INSTRUMENTS AND TESTING

7.1 INTRODUCTION

In this modern world, use of electricity everywhere is inevitable. As almost all industrial machines, home appliances etc. are working on electrical energy, it is must to inspect and test the electrical energy for its quality before energizing machines/appliances. Also if the machines/appliances are not working on giving electrical energy, it is required to carry out some test to identify the fault. So here we will see few basic testing instruments and their use.

7.2 VOLTAGE TESTER SCREWDRIVER:

A test light, test lamp, voltage tester, or mains tester is a very simple piece of electronic test equipment used to determine the presence or absence of an electric voltage in a piece of equipment under test. This is shown in Fig. 7.1



Fig.7.1 - Voltage tester

The test light is simply an electric lamp connected with one or two insulated wire leads. Often, it takes the form of a screwdriver with the lamp connected between the tip of the screwdriver and a single lead that projects out the back of the screwdriver. By connecting the flying lead to an earth (ground) reference and touching the screwdriver tip to various points in the circuit, the presence or absence of voltage at each point can be determined and simple faults detected and traced to their root cause. For low voltage work (for example, in automobiles), the lamp used is usually a small, low-voltage incandescent light bulb. These lamps usually are designed to operate on approximately 12 V. For line voltage (mains) work, the lamp is usually a small neon lamp connected in series with an appropriate ballast resistor. These lamps often can operate across a wide range of voltages from 90 V up to several hundred volts. In some cases, several separate lamps are used with resistive voltage dividers arranged to allow additional lamps to strike as the applied voltage rises higher; with the lamps mounted in order from lowest voltage to highest, this minimal bar graph provides a crude indication of voltage.

7.3 CONTINUITY TEST :

Continuity refers to being part of a complete or connected whole. In electrical applications, when an electrical circuit is capable of conducting current, it demonstrates electrical continuity. It is also said to be “closed,” because the circuit is complete. In the case of a light switch, for example, the circuit is closed and capable of conducting electricity when the switch is flipped to “on.” The user can break the electrical continuity by flipping the switch to “off,” opening the circuit and rendering it incapable of conducting electricity. In short, by performing continuity test, we can determine the following

- i) existence of continuity in the electrical wiring circuit
- ii) existence of any open circuit in the circuit
- iii) existence of any short circuit in the circuit

Multimeter/Continuity test

Continuity testers are simple devices designed to verify a complete electrical path through an object or circuit. They are especially useful for checking fuses of all types, light-bulbs, and wire paths.

This tester is usually comprised of:

1. Two leads
2. A small body where the leads meet and contain...
3. Some form of indicator

A number of devices are manufactured to assist consumers in testing electrical continuity, ranging from multimeters as shown in Fig.7.2, which have a wide range of additional applications, to simple electrical continuity testers that light up if electrical continuity is present. These devices use two electrical probes, which form a complete circuit when touched together. Consumers can test the device to ensure that it is working properly by turning it on and touching the probes together – the meter should read zero, or the indicator light should turn on, indicating a closed circuit. When the probes are not touching anything, the metered device will read infinity, showing that the circuit is open.



Fig. 7.2a – Analog Multimeter



Fig. 7.2b – Digital multimeter

Open circuit test and Short circuit test: Multimeter can be used for this test. For this, multimeter should be set in resistance mode of measurement. To check the existence of any open circuit or short circuit between any two points in the wiring circuit, the electrical supply to the circuit should be switched off first. Then put the multimeter probes between the two testing points in the circuit. If multimeter reads '∞' ohm, it indicates open circuit. If multimeter reads '0' ohm, it indicates short circuit. This is shown in Fig.7.3 and 7.4.

7.4 INSULATION TESTING :

This testing is important, as insufficient insulating can result in leaking current. Leaking current creates heat, which can cause a fire. The current can seep out and flow into another pathway,

like the water pipes in your kitchen or bathroom. This can cause electrical shock in the shower or sink. Leaking current also results in higher electric bills. In addition, it can cause the ground faults in your home to trip repeatedly and eventually overheat.

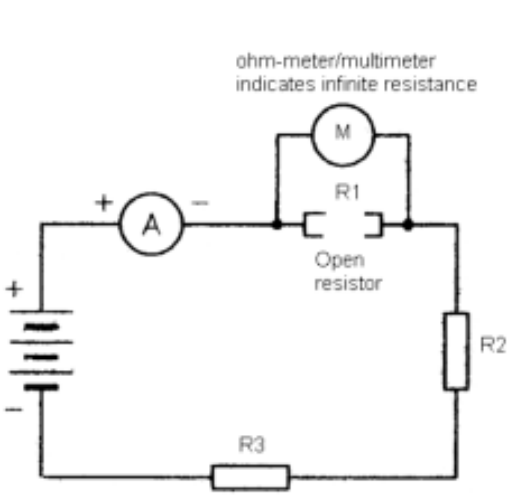


Fig.7.3 - Open circuit test

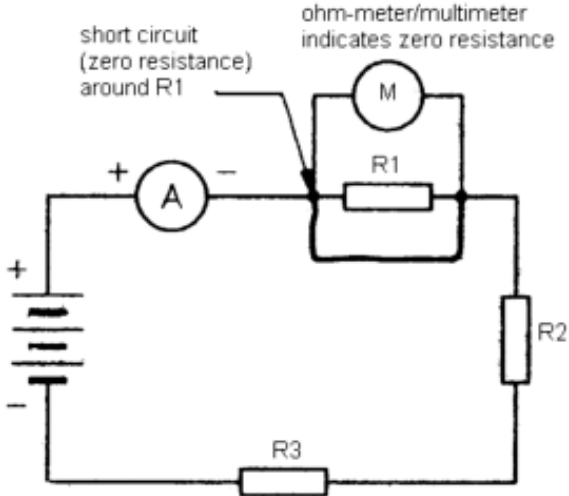


Fig.7.4 - Short circuit test

Causes of Insulating Material Deterioration include:

- Excessive heat
- Excessive cold
- Moisture
- Vibration
- Dirt
- Oil

Insulation Tester(Megger) : The tester applies DC voltage to the insulation system and measures the current that results. The results of the test show if the insulation is working well, or if it is allowing current to leak.



Fig.7.5 - Megger

Megger, the insulation tester is a combination of hand driven generator and a true ohmmeter in same case as shown in Fig.7.5. The magneto generator produces 500 V dc (1000 V in other design) and supplies to megohm meter section. The internal parts are shown in Fig.4. Two permanent magnet bars with four iron pole shoes provide magnetic flux for both the generator and ohmmeter setup. Pressure coil and current coil are placed at right angle to each other on

aluminum 'C' former of peculiar shape. The pressure coil is connected across the sourced through resistor of 0.1 MW as shown in Fig. 7.6.

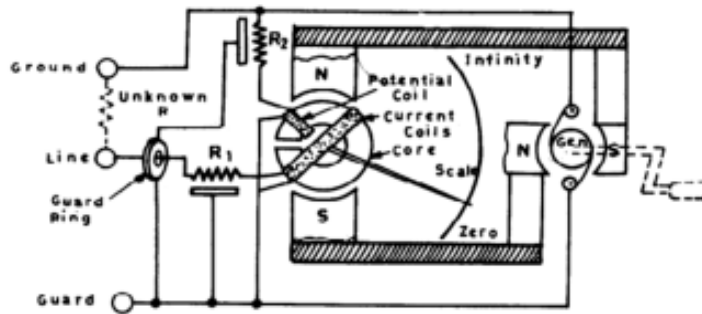


Fig. 7.6 - Inside a Megger

When the generator handle is rotated at a speed of 160 rpm, current flows through a pressure coil (Electronic megger develops 1000 V with dry cell batteries without generator and handle) and sets up magnetic field which tends to be plane of that of main magnetic field due to which the pointer attached on the axis of moving system deflects on the 'infinity' (the high megohms). The current coil completes its circuit, through series resistance and external resistance under test and through the shunt which divides the current coil circuit to increase deflection for small insulation resistance. A guard system is introduced to prevent surface leakage from high potential lead within instrument and at the specimen. If there is current in external circuit due to imperfect insulation resistance of the specimen, a current will flow through the current coil in such a direction that it turns the moving system towards the right of zero scale. Thus the deflection of pointer is dependent on external circuit resistance, and independent of magneto generator voltage, as same voltage is fed both to the controlling pressure coil and the current coil. In certain design of megger, the magneto generator is driven through a clutch arrangement controlled by a centrifugal governor, so that voltage can not rise above a definite maximum, when the crank is turned fast enough, a constant testing voltage is obtained.

Sample Insulation testing:

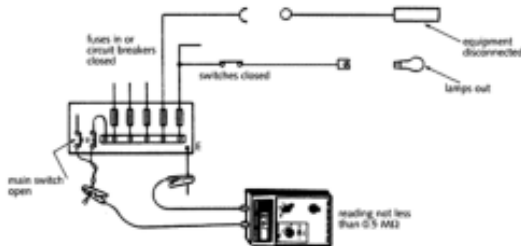


Fig. 7.7 - Insulation test to earth

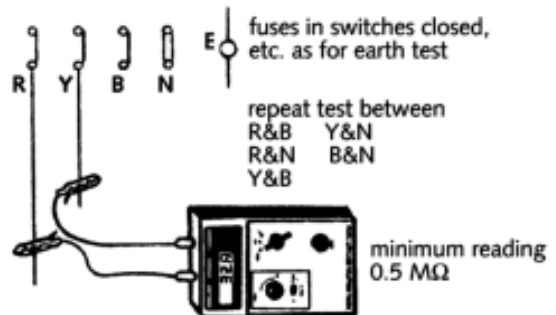


Fig. 7.8 - Insulation tests between phases

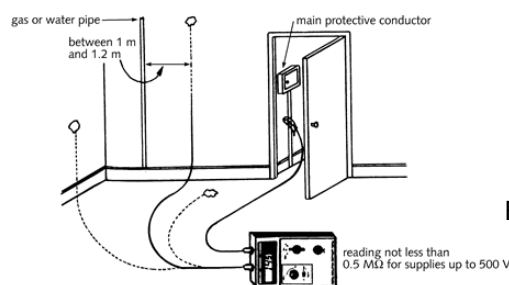


Fig. 7.9 - Insulation test of floors and walls for non-conducting location

Precaution while using Insulation tester (megger):

1. Portable testers (meggers) come in 50, 100, 250, 500 or 1000 volts. It is important to use the right tester for the right system. Low voltage testers are required for low voltage systems, and high voltage testers for high voltage. Higher voltage is generally used for commercial systems, motors or transformers. Some digital testers work over a range of voltage and can be set for higher or lower volts.
2. Before applying the tester, be sure to disconnect the power from the system being tested.
3. Disconnect all electronics. These can get damaged during the testing process. Double check to be sure all electronics are disconnected prior to testing. This is a common and very costly mistake.

7.5 MEASUREMENT OF POWER:

In a DC circuit: The power in DC circuit is given by $P = V \times I$,

Where $V =$ Voltage and $I =$ current. The power can be measured practically with the help of just voltmeter and Ammeter. The circuit diagram for measuring power in DC circuit is shown in Fig. 7.10.

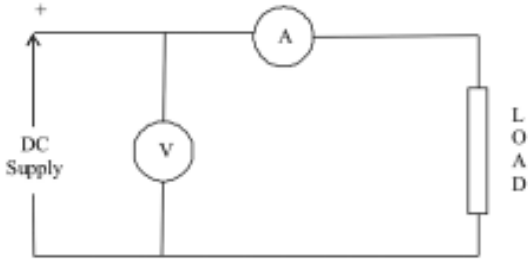


Fig.7.10 - Voltmeter – Ammeter method

Total power (P) = Voltmeter meter reading x Ammeter reading

In 1-phase AC circuit:

Power in 1-phase AC circuit is given by $P = VI \cos\phi$,

Where $V =$ Voltage, $I =$ current and $\cos\phi =$ power factor.

Wattmeter Wattmeter is used to measure power in AC circuits. The circuit diagram is shown in Fig.7.11

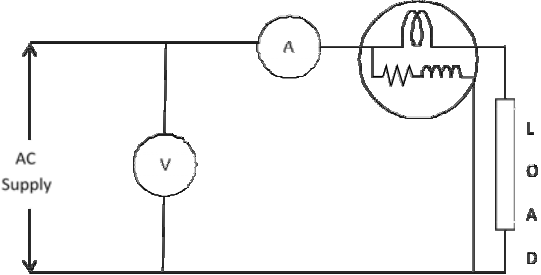


Fig.7.11 - Power measurement in 1-phase AC circuit

Total power (P) = Wattmeter reading = $VI \cos\phi$.

From this power factor can be calculated as follows

$\cos\phi = P / VI$

3-phase AC circuit: i) One wattmeter method :

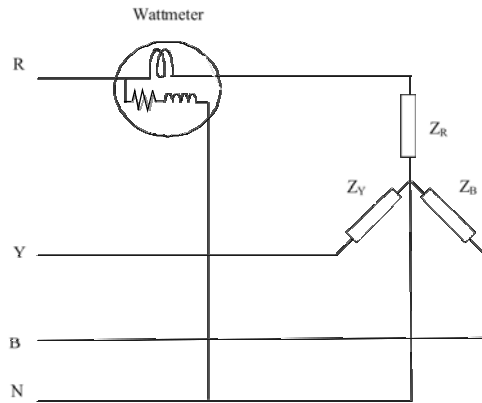


Fig.7.12 - Single wattmeter method of power measurement in 3-phase circuit

For balanced 3-phase load i.e. $Z_R = Z_Y = Z_B$, single wattmeter may be connected into any one phase as shown in fig. 7.12. This wattmeter will indicate the power in that phase only. Since the load is balanced, the total power in the 3-phase circuit will be given by

$$\text{Total power} = 3 \times \text{Wattmeter reading}$$

ii) Two-wattmeter method :

This is most the common method for measuring power in a 3-phase, 3-wire system since it can be used for both balanced ($Z_R = Z_Y = Z_B$) and unbalanced loads ($Z_R \neq Z_Y \neq Z_B$) connected in either star or delta. The current coils are connected to any two of the lines, and the voltage coils are connected to the other line, the one without a current coil connection, as shown in Fig.7.13.

$$\text{Total power} = W_1 + W_2$$

iii) Three-wattmeter method :

If the installation is 4-wire and the load is unbalanced, then 3 wattmeters are necessary. The wattmeter's connection is shown in Fig. 7.14. Each wattmeter measures the power in one phase and the total power will be given by

$$\text{Total power} = W_1 + W_2 + W_3$$

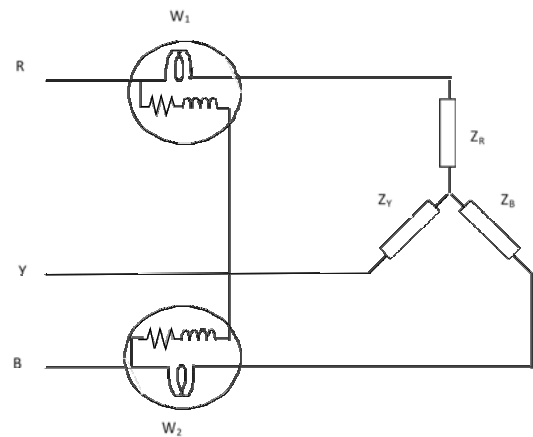


Fig.7.13 - Two wattmeter method of power measurement in 3-phase circuit

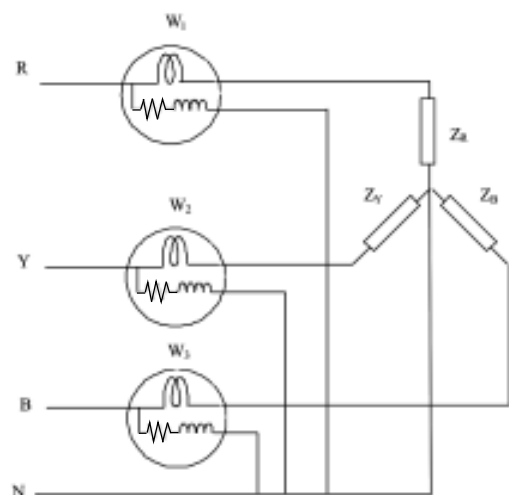


Fig. 7.14. - Three wattmeter method of power measurement in 3-phase circuit

QUESTIONS

Part - A

Choose the Correct Answer

(1 Mark)

- By performing continuity test, we can determine
 - existence of any open circuit in the electrical network
 - existence of any short circuit in the electrical networkChoose the correct choice among the following.
A) i alone is correct B) ii alone is correct C) both are correct D) both are wrong
- While touching the two probes of multimeter together, the meter should read
A) zero ohm B) infinite ohm C) any ohmic value between 0 and infinity
D) produce beep sound
- Megger is the instrument used to measure
A) conductor resistance B) insulation resistance
C) supply voltage D) load current
- The number of wattmeters required to measure total power in 3-phase 4-wire system is
A) 1 B) 2 C) 3 D) 4
- Match the item in List I with those of list II

List I	List II
P. Ammeter	W. continuity
Q. Multimeter	X. power
R. Megger	Y. current
S. Wattmeter	Z. Insulation resistance

- A) P-Y, Q-Z, R-W, S-X B) P-Z, Q-W, R-X, S-Y
C) P-X, Q-Y, R-Z, S-W D) P-Y, Q-W, R-Z, S-X

Part - B

Answer the following questions in one or two words

(1 Mark)

- Name the instrument to test just the presence or absence of voltage at any point in an electric circuit.
- While measuring resistance of the coil using multimeter, its reading indicates infinite resistance. What does it mean?
- The power in 230 V, DC circuit is 1000 W. Find the circuit current.

4. When is the 3-phase load said to be balanced?
5. Two wattmeter method of power measurement can be used for 3-phase, 3-wire system for both balanced and unbalanced loads. Say TRUE or FALSE.

Part - C

Answer the following questions briefly

(4 Marks)

1. Explain briefly the construction and application voltage tester.
2. Explain briefly the application of multimeter to perform open circuit and short circuit test.
3. What is importance of insulation testing? State the causes of insulating material deterioration
4. Explain with suitable circuit, the measurement of power in 1-phase AC circuit. Also deduce an expression for power factor from the wattmeter reading.
5. Distinguish between balanced and unbalanced load.
6. Single wattmeter is sufficient to measure power for 3-phase balanced load. Justify this statement.

Part - D

Answer the following questions in one page level

(10 Marks)

1. Explain briefly the application of i) voltage tester and ii) multimeter
2. Using relevant circuits, explain briefly the suitable method of power measurement for i) 3-phase, 3 wire balanced load and ii) 3-phase, 3 wire unbalanced load.

8. ELECTRICAL COOKING APPLIANCES

8.1 INTRODUCTION

An **electric stove** converts electricity into heat to cook and bake.

The first technology used resistive heating coils which heated iron hotplates, on top of which the pots were placed. In the 1970s, glass-ceramic cooktops started to appear. Glass-ceramic has very low thermal conductivity, but lets infrared radiation pass very well. Electrical heating coils or infrared halogen lamps are used as heating elements. Because of its physical characteristics, the cooktop heats more quickly, less afterheat remains, and only the plate heats up while the adjacent surface remains cool. Also, these cooktops have a smooth surface and are thus easier to clean, but they only work with flat-bottomed cookware and are markedly more expensive. A third technology—developed first for professional kitchens, but today also entering the domestic market—is induction stoves. These heat the cookware directly through electromagnetic induction and thus require pots and pans with ferromagnetic bottoms. Induction stoves also often have a glass-ceramic surface. Electric stoves are very popular today, especially in urban and suburban areas.

8.2 TYPES

There are two types of electric stoves, namely Open type and Closed type. In open type, the heating element is made of Nichrome wire. It possesses high resistivity, and withstands a working temperature of about 900°C.

8.3 CONSTRUCTION

Heater Plate : A porcelain plate with a groove is made. It houses the Nichrome wire in a coil form. The heater plate is made of porcelain. Porcelain withstands high temperature and remains as a good insulator even at high temperatures. The coiled Nichrome heating element is housed in the grooves. The grooves are designed with projections at various places, as shown in Fig. 8.1. The projections prevent the heating element from coming out of the grooves.

Body : A body is provided to house the heater plate in it. It is made of cast iron painted or electroplated. The socket is fixed to the body, as shown in Fig. 8.2. An insulated handle is fixed on the body for safe handling.

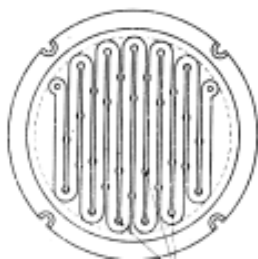


Fig. 8.1 - Heater Plate

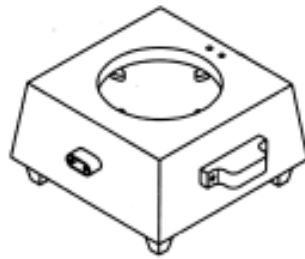


Fig. 8.2 - Body

Connecting leads: The lead wires should have a larger cross-section made of bare copper, insulated with porcelain beads or glass beads. The beads are connected to the socket terminals and heater plate terminals, as shown in Fig. 8.3.

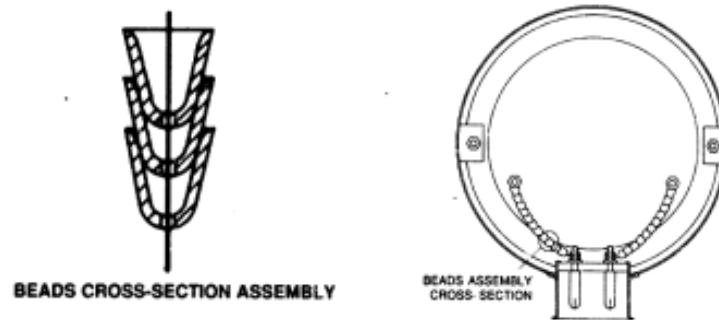


Fig. 8.3 - Connecting leads

Grill Stand : It is made of chromium/nickel plated MS rods and hinged to the body. It supports the vessels kept on the heater and acts as a barrier between the exposed heater element and the vessel, as shown in Fig. 8.4. For safety, this grill should have electrical continuity to the body, and both must have earth connection. A properly earthed grill and body will enable the fuse to blow in case of accidental contact of live parts with them, thereby avoiding shock to the user.

Heater Socket : This is used for plugging the power supply appliance plug. The socket, shown in Fig. 8.4 has two male terminals, one for the phase and the other for the neutral. However, for safety, the heater body should be connected to the general mass of earth through the earth continuity conductor. For this, the appliance plug, shown in Fig. 8.5, has two spring loaded, metallic clips on either side of it which makes the contact with metallic enclosure of the socket when plugged. As rusting prevents proper contact of these clips with the socket, for safety, these clips and sockets are made of nickel plated brass.

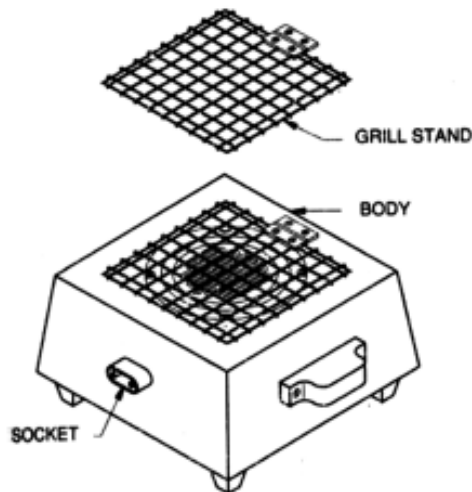


Fig. 8.4 - Grill Stand

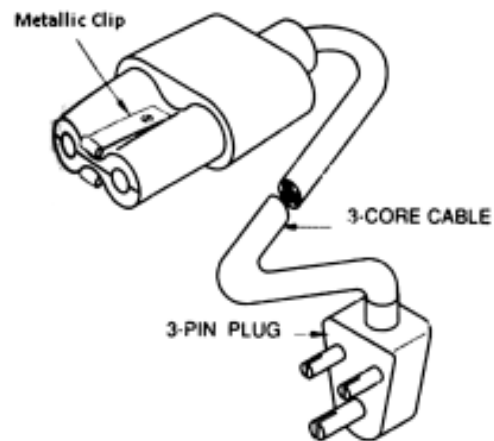


Fig. 8.5 - Heater Socket

8.4 ELECTRIC TOASTERS

Electric toaster as the name suggests is essentially a portable domestic appliance intended for toasting bread and is operated electrically. The bread is inserted in the toaster, heated at desired temperature till brown in color and a reasonable texture. That is the duration of the toasting period is predetermined by setting of built in control device. Fig. 8.6 shows the basic operation of a bread toaster.

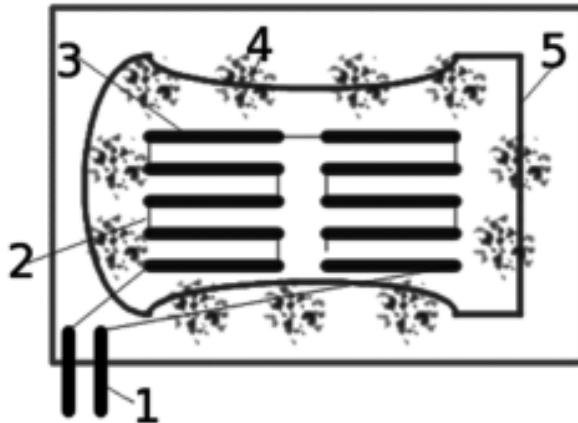


Fig. 8.6 - Bread toaster

In Fig. 8.6,

1. Electrical energy flows into the toaster from a wire plugged into the domestic electricity supply.
2. The electric current flows through a series of thin filaments connected together but spaced widely enough apart to toast the whole bread surface.
3. The filaments are so thin that they glow red hot when the electricity flows through them.
4. Like a series of small radiators, the filaments beam heat toward the bread in the toaster.
5. The steady supply of heat rapidly cooks the bread. There are filaments on each wall of the toaster so the two sides of the bread cook at the same time.

Basically a toaster is made up of a rack to hold slices of bread and a heating element located near the bread slices. The object is to heat the bread until it is toasted to a desired color. The normal working temperature of a toaster varies from 85°C to 1000°C from the heating element to the toasting zone.

8.5 TYPES OF ELECTRIC TOASTERS

Available in two types; namely; ordinary or non-automatic and automatic types. In non-automatic toasters, the user must keep watching the bread, while it is being toasted so that he can turn off the heat before it burns the bread. But an automatic toaster does all the necessary operations itself.

Non Automatic Toaster : It consists of a metal shell containing a bread rack and a heating element. The doors on either side are hinged at the bottom, and swing out from the top and downward to a horizontal position. Bread is placed on the doors, which are then closed, thus bringing one side of each slice of bread close to the heating element mounted in the centre of the toaster shell. When one side is toasted, the door is opened manually, as shown in Fig. 8.7. The bread is to be turned manually for toasting the other side. The doors are then closed. The non-automatic toaster has neither switches nor thermostats.

Automatic Toasters : Automatic toasters are built in two and four slice sizes. They are often referred to as automatic pop-up toasters and these toasters perform automatically the operation required for toasting.

Operation : It consists of three working parts

1. A bread carriage moves up and down inside the toast well and it has usually an external control knob. The carriage operates a switch that turns the toaster on and off.
2. Heating elements, made of resistance wires, are positioned on both sides of each toast 'well'. When current flows through them, they radiate heat for toasting.
3. A thermostat inside the toaster is linked to a toast color control outside. The control enables the user to adjust the toasting time for different types of breads or to suit the user's preference.

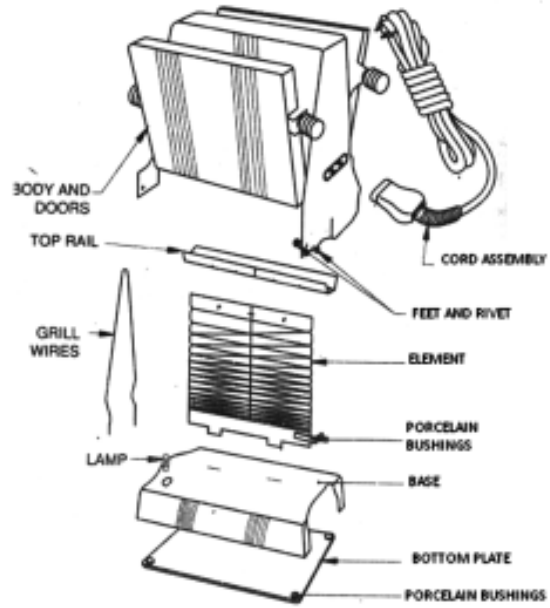


Fig. 8.7 - Non Automatic Toaster

When the operating lever is pressed down, the switch contacts are closed, and they remain closed until the bread carriages are released. Thus, the units are energized from the time the operating lever handle is depressed until the bread pops up.

In Fig. 8.8, the automatic toaster contains a spring-actuated clock mechanism, the lowering of the operating handle with its bread carriage energizes the spring. This action also completes the electrical circuit through the heating elements. At the completion of the toasting cycle, the clock automatically trips the carriage, which returns to its original position, thereby opening the circuit through the heating element. Fig. 8.9 shows the internal mechanism of an automatic toaster. Toasting is controlled by the expansion and contraction of the element. When the thermostat has reached a preselected temperature, it operates a mechanical or electro-mechanical devices to release the carriage, open the main power switch and pop up the toast.

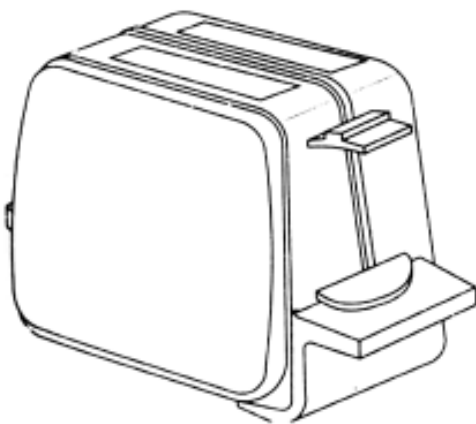


Fig. 8.8 - Automatic Toaster

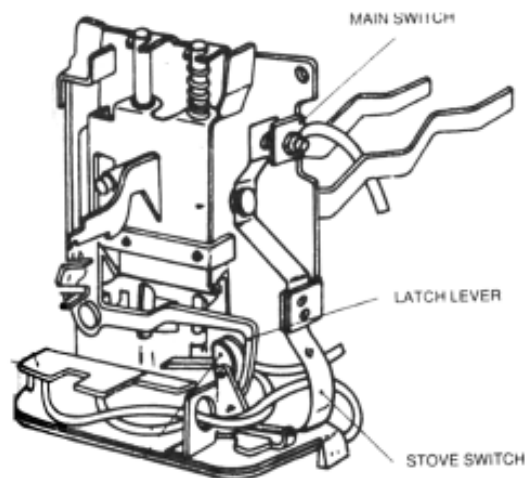


Fig. 8.9 - Internal Mechanism of an Automatic Toaster

QUESTIONS

Part - A

Choose the Correct Answer

(1 Mark)

1. An / A _____ converts electricity into heat to cook and bake.
A) electric toaster B) electric stove C) fridge D) grinder
2. The heating element used in electric stove is made of _____ wire.
A) Nichrome B) Copper C) Aluminum D) Lead
3. _____ withstands high temperature and remains as a good insulator even at high temperatures.
A) Copper B) Aluminum C) Nichrome D) Porcelain
4. Grill Stand is made of _____ plated MS rods and hinged to the body.
A) aluminum B) porcelain C) chromium/nickel D) copper
5. Heater Socket are made of _____ plated brass.
A) aluminum B) nickel C) copper D) lead
6. The normal working temperature of a toaster varies from _____ from the heating element to the toasting zone.
A) 85°C to 1000°C B) 500°C to 1000°C C) 85°C to 10000°C D) 850°C to 1000°C
7. The / An _____ toaster has neither switches nor thermostats.
A) non-automatic B) automatic
8. A _____ inside the toaster is linked to a toast color control outside.
A) bread carriage B) thermostat C) heating element D) knob
9. At the completion of the toasting cycle, the _____ automatically trips the carriage, which returns to its original position, thereby opening the circuit through the heating element.
A) heating element B) knob C) clock D) thermostat
10. When the _____ has reached a preselected temperature, it operates a mechanical or electro-mechanical devices to release the carriage, open the main power switch and pop up the toast.
A) heating element B) knob C) clock D) thermostat

Part - B

Answer the following questions in one or two words

(1 Mark)

1. Non automatic type toaster has neither switches or thermostats say TRUE OR FALSE
2. Which part inside a toaster is linked to a toast colour control outside?
3. Grill stand is made of - plated MS rods
4. Name the part which automatically trips the carriage after completing toasting cycle to open the circuit
5. What is the normal working range of electric toaster?

Part - C

Answer the following questions briefly

(4 Marks)

1. What is the function of electric stove? State the difference between open type and closed type.
2. Brief the construction of heater plate in electric stove.
3. Distinguish between Non-automatic and automatic type electric toaster?
4. Brief the function of thermostate in automatic toaster
5. What is the function of grill stand in electric stove?

Part - D

Answer the following questions in two page level

(20 Marks)

1. Explain with neat sketches, the construction and working of an electric stove.
2. Explain with neat sketches, the construction and working of an electric toaster.

9. ELECTRIC IRON BOX

9.1 DEFINITION

An Electric Iron box is a heating device in which the electrical energy is converted into heat energy. This heat energy is concentrated on a smooth, flat bottom surface which is pressed over the cloth to be ironed.

9.2 TYPES OF IRON BOX: 1) Non-automatic Iron box 2) Automatic Iron box 3) Steam Iron box

9.3 NON-AUTOMATIC IRON BOX :

In non-automatic type, the temperature is not regulated. The user has to switch ON or OFF the iron as per the heat requirement.

Constructional details: The principal parts of the iron box is shown in Fig. 9.1

Sole Plate: It is made up cast iron and it is generally chromium-plated. The transfer of heat from the heating element to the material ironed is done through sole-plate.

Heating element: There are two types of heating elements. One is made of ribbon shaped Nichrome (resistance) wire wound around a sheet of mica. This type of element is placed on the top of the sole-plate as shown in Fig.9.2. Other type is made up of round resistance wire coiled on a ceramic form and cast directly into the sole plate as shown in Fig.9.3. The flat type element is replaceable whereas the cast type heating element has to be replaced along with the sole-plate only. In this type of irons, a pressure plate is not necessary.

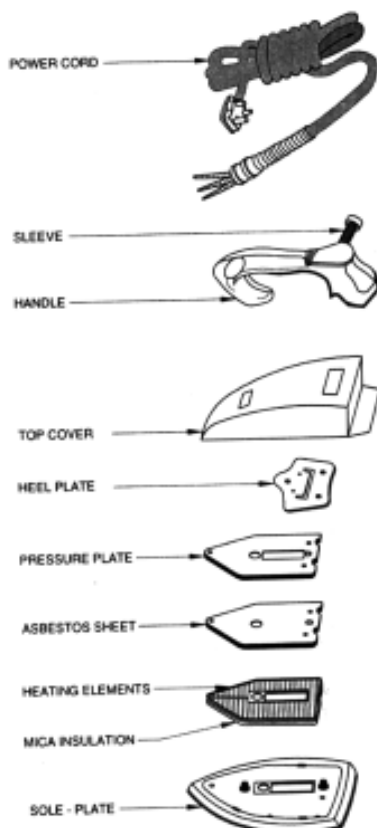


Fig. 9.1 Parts of Iron Box

Terminals and power cord: The ends of the heating elements are connected at the points called as terminals as shown in Fig.9.4. The electric supply is given the coil terminals through 3 core power cord.

Pressure plate: It is made of cast iron and the purpose is to keep the heating element firmly against the sole-plate. The pressure plate is insulated from heating element by asbestos sheet of same shape. The asbestos sheet is placed just above the heating element to prevent the heat developed in the element traveling upward due to conduction and radiation.

Cover: It comes above the pressure plat. This part covers the heating element's internal connections of the iron. It also serves as a shield to protect the user's hands from the generated heat and the electric terminals.

Handle: It is made of Bakelite or ebonite because it offers high resistance to flow current and it can withstand more heat. The indicator lamp and power socket are fixed in the handle.

Heel plate: The purpose of the heel plate is to enable the iron to stand when the iron is tilted back on the rear of its handle.

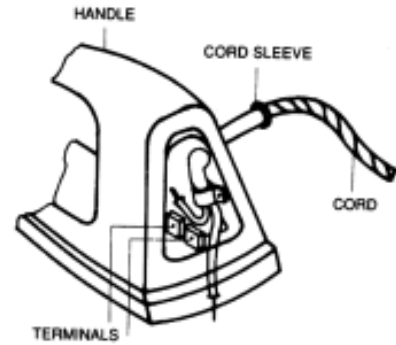
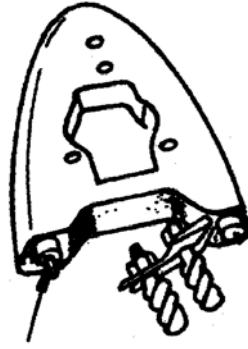
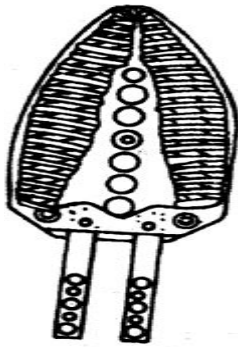


Fig.9.2 - Heating element (type 1) Fig.9.3 - Heating element (type 2) Fig. 9.4 - Terminal and power cord

Working of iron box: When electric supply is given to the heating element using 3-core power cord, the heat produced in the element will be transferred to the sole-plate which is then pressed over the cloth to be ironed. Thus the iron converts the electricity into heat at the sole-plate. The heat at the sole-plate is used to iron the clothes. In Non-automatic type irons, the temperature is not regulated. As such the user has to switch ON or OFF the electric supply as per the heat requirement.

9.4 AUTOMATIC IRON BOX:

Automatic Iron box is same as that of Non-automatic type except that it has additional device called as thermostatic device to regulate the temperature. The simplest form of automatic type is shown in Fig.9.5

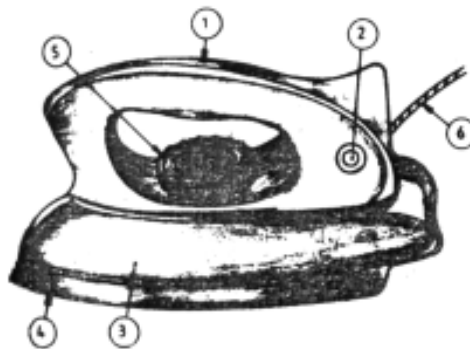


Fig.9.5 - Simplest form of Automatic iron box

Construction: The main parts are 1) Bakelite handle 2) pilot lamp 3) steel cover 4) chrome plated, cast iron sole plate 5) built in automatic heat adjustment 6) cord

Thermostats: A thermostat is a switch which can be designed to close or open a circuit at predetermined temperature. One of the simplest and most dependable components in the modern heating appliances is the BIMETAL THERMOSTAT.

Bimetal thermostat: The principle behind a bimetallic strip thermometer relies on the fact that different metals expand at different rates as they warm up. By bonding two different metals together, we can make a simple electric controller that can withstand fairly high temperatures. The general layout is shown in Fig.9.6

In the thermostat there is a bimetal strip made of two strips of metal with different expansion

rates welded together. The metal strip expands when heated and contracts when cooled. One metal in the bimetal strip has a high rate of expansion when heated and the other has a low rate. When a bimetal strip is heated both the metals in the strip expand but the one at the bottom as shown in Fig.9.7, with a high rate of expansion, expands faster and forces the upper half to curl up or bend away from the contact point. The strip curls or bends enough to break the contact, i.e. opening the circuit. As the strip cools, it straightens and restores contact with the stationary point. The bending of the bimetal strip on heating is towards the side that has smaller expansion rate. By adjusting the size of the gap between the strip and the contact, you control the temperature. A simplified sketch of Adjustable Thermostat is shown in Fig.9.8

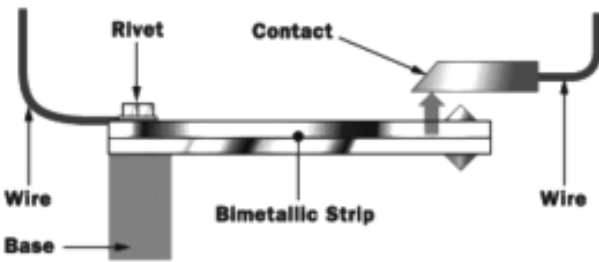


Fig.9.6 - General layout of Bimetal Thermostat

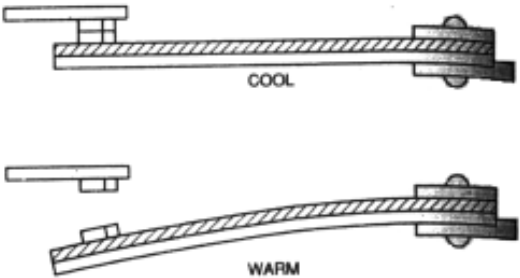


Fig.9.7 - A fixed bimetallic strip bends when it is heated

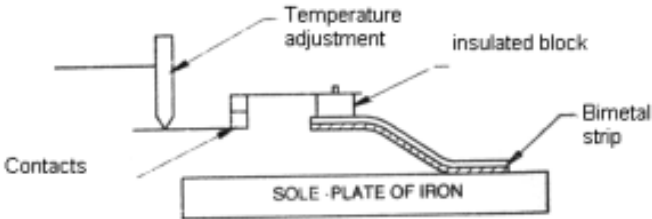


Fig.9.8 - Simplified sketch of Adjustable Thermostat

Working: Automatic Irons are fitted with a thermostatic switch to regulate the heat to a specific predetermined value. The thermostatic switch disconnects the supply when the predetermined value is reached and reconnects the supply when iron cools down. A turning knob with a dial just below the handle marked as a rayon, cotton, silk, wool, etc., can be operated to select the preset temperature depending upon the particular fabric to be ironed. The kind of cloth and the required heat are given in table I. A lamp fitted in the handle goes off when the desired temperature is attained.

Cloth	Heat required in degree Centigrade
Nylon	70 ° C to 90 ° C
Rayon	100 ° C to 120 ° C
Silk	130 ° C to 150 ° C
Woolen	160 ° C to 180 ° C
Cotton	200 ° C to 220 ° C
Lynun	230 ° C to 260 ° C

Pilot lamp : It is used to indicate the flow of current. The lamp condition and its indication are given in table II.

Lamp condition	Indication
Glowing	The temperature is within predetermined value and the current is flowing
Not glowing	The temperature is more than the predetermined value and the current is not flowing.

9.5 DIFFERENCES BETWEEN NON-AUTOMATIC AND AUTOMATIC IRON BOX:

Sl. No	Non-automatic type	Automatic type
1	It does not consist of thermostat switch. So temperature is not regulated	It consists of thermostat switch to regulate the heat to a predetermined value.
2	User has to switch ON or OFF the supply to iron box as per the heat requirement.	The thermostat switch disconnects the supply when predetermined value of temperature is reached and reconnects the supply when the iron cools down.
3	There is no pilot lamp to indicate the temperature condition whether it is within the limit or not	It has pilot lamp to indicate. It will glow if the temperature is within predetermined value. Otherwise not glow.
4	Cost is low	Cost is high
5	Overheat may burn the cloth. So more care is required.	As the temperature is controlled automatically by thermostatic switch, no such risk is involved.

9.6 STEAM IRON:

Electrically there is no difference between steam irons and dry irons. A steam iron has a small reservoir mounted above the heating element. A control valve on this allows the water to drip slowly into recess in the sole plate. Check valve prevents the water and steam going back to reservoir. When the water drips on the hot sole-plate, it is converted into steam and goes out through the holes in the bottom of the sole-plate. The heating element is concealed with the sole-plate. The amount of steam can be controlled by the contact knob on the iron located on the handle. Like automatic iron, a thermostat is also provided to control the temperature. Fig.9.9 shows the diagram of construction of typical steam iron.

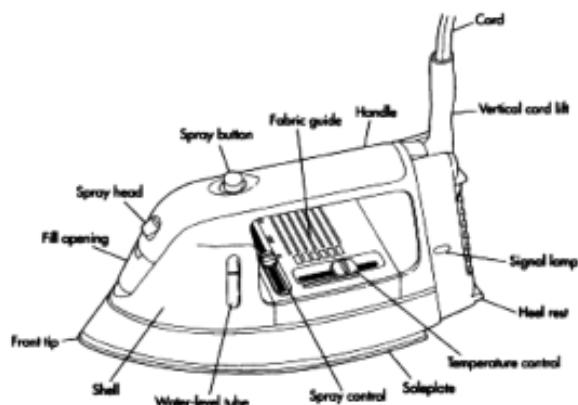


Fig.9.9 - Outline of steam iron box

When the element is found to be defective, sole plate along with the sealed heating element has to be replaced. Distilled water is recommended for filling into the tank. Ordinary water, if used, may result in deposition of salts in the tank and clog the entry and exit ports. It is recommended to flush the water in the tank by pressing the steam control knob fully for some time before the iron is switched off keeping it till next use. Salt deposits can be removed by filling the tank with water diluted vinegar and plugging the iron to supply. A number of attempts may be made to flush to iron by pressing steam control knob.

9.7 TROUBLESHOOTING CHART (DRY IRON):

Trouble	Possible causes	Corrective action to be taken
No heat	No power at outlet.	Check outlet for power.
	Defective cord or plug.	Repair or replace.
	Loose terminal connections	Check and tighten the terminals.
	Broken lead in iron.	Repair or replace lead.
	Loose thermostat control knob.	Clean and tighten.
	Defective thermostat	Replace thermostat.
	Defective heater element.	Replace the element if separate. If cast in, replace sole-plate assembly.
	Open terminal fuse	Replace.
Insufficient heat	Low line voltage.	Check voltage at outlet.
	Incorrect thermostat setting.	Adjust and recalibrate thermostat
Excessive heat	Incorrect thermostat setting	Adjust and recalibrate thermostat or replace.
	Defective thermostat.	Replace thermostat.

Trouble	Possible causes	Corrective action to be taken
Blisters on sole-plate	Excessive heat	First repair the thermostat control. Then replace or repair the sole-plate, depending on its condition.
Tears clothes.	Rough spot, nick, scratch, burn on sole-plate.	Remove these spots with fine emery and polish the area with buff.
Iron cannot be turned off	Thermostat switch contacts are welded together.	Check the thermostat switch contact. Open them by force. The contact points should be in open condition at off position of the control knob.
Power cord	Loose connection.	Clean and tighten.
	Broken wire.	Repair or replace.
Sticks to clothes	Dirty sole-plate.	Clean.
	Excessive starch in clothes.	Iron at a lower temperature. Use less starch next time.
	Wrong setting of the thermostat knob.	Set the knob to correct temperature.
	Iron too hot for fabric being ironed.	Lower the thermostat setting.
Iron gives shock	Disconnected earth connection.	Check earth connection and connect properly.
	Weak insulation of heating element.	Check insulation resistance of heating element; if necessary replace element.
	Earth continuity with common earth not available.	Check the main earth continuity and connect properly.

QUESTIONS

Part - A

Choose the Correct Answer

(1 Mark)

1. Pick the odd one out
 A) Heating element B) Nichrome C) Sole plate D) Pressure plate

2. Heating element of electric iron box is made up of
 A) copper B) Chromium C) Silver D) Aluminium

3. The upward traveling heat, developed in heating element of iron box, due to conduction and radiation is prevented by
 A) sole plate B) pressure plate C) Asbestos sheet D) Heel plate

4. The purpose of thermostat in Automatic iron box is to
- | | |
|-------------------------|-------------------------|
| A) increase temperature | B) decrease temperature |
| C) regulate temperature | D) monitor temperature |
5. In bimetallic thermostat,
- one metal plate has a high rate of expansion when heated and the other has low rate
 - both metal has same rate of expansion when heated
- A) i alone is correct B) ii alone is correct C) both are correct D) both are wrong

Part - B

Answer the following questions in one or two words (1 Mark)

- Electric iron box converts electric energy into heat energy. Say TRUE or FALSE.
- Which part of electric iron is used to keep the heating element firmly against the sole-plate?
- Name the material used to make the heating element of electric iron box.
- What kind of water is recommended for filling into the tank in steam iron box?
- What are the possible causes if the heat produced in electric iron box is insufficient.

Part - C

Answer the following questions briefly (4 Marks)

- Write the features of two forms of heating element used in electric iron box.
- State the function of i) sole plate and ii) pressure plate
- Distinguish between Non-automatic and Automatic Iron box
- What is the purpose of pilot lamp in Automatic iron box? What does it indicates when it is i) glowing and ii) not glowing
- Ordinary water is not recommended in steam iron box. Why?

Part - D

Answer the following questions in two page level (20 Marks)

- Explain the construction and working of Non-automatic iron box. Also discuss in what way Automatic iron box differs from Non-automatic type.
- Stating the function of bimetallic thermostat, explain briefly the construction and working of Automatic iron box.

10. WATER HEATERS AND COFFEE MAKERS

10.1 FUNCTION OF WATER HEATERS

It is used to heat small or bulk quantity of water. The heating element of water heaters converts electric energy into heat by which water inside the heater gets heated due to convection.

10.2 TYPES OF WATER HEATERS

The water heaters are available in various forms. They are

- i) Electric Kettle
- ii) Immersion water heater
- iii) Storage water heater (Geyser)

10.3 ELECTRIC KETTLE

It is used to heat small quantity of water. The heating element is fixed inside the kettle. When electric supply is given to the heating element, it gets heated and hence water inside the kettle gets heated due to convection. Types of Electric Kettle: i) Swan neck type i) Saucepan type

Swan neck type: In this type, the heating element is of tubular immersion type as shown in Fig.10.1. It is concealed inside a hollow tube and mineral insulated. The heating element is made up of Nichrome coated around with magnesium oxide to ensure that the element does not directly touch the wall of the kettle body. The heating element is fixed at the bottom of the kettle. The simple form of Swan type kettle is shown in Fig. 10.2

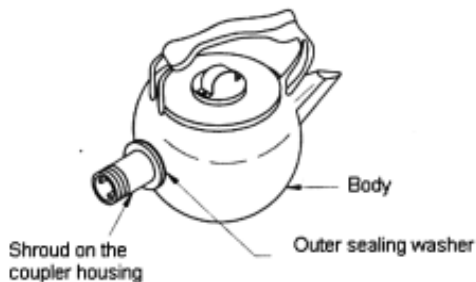


Fig. 10.1 - Swan neck type water kettle

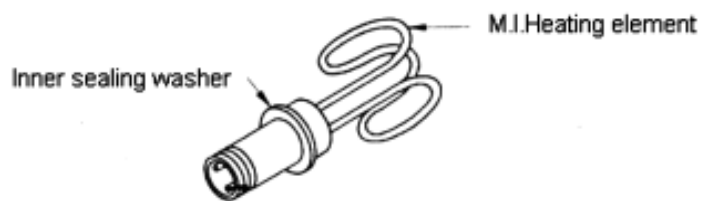


Fig. 10.2 - Kettle heating element

Precautions:

- i) Water level always should be above the heater element otherwise the element gets overheated and may burst.
- ii) The kettle should not be switched ON with out water.
- iii) The water should not be touched when the supply is ON.

Saucepan type: The heating element in this type is wound around a flat mica sheet as in iron box. Here the heating element is placed in separate room i.e. outside bottom part of the heater body and is covered by bottom cover. The construction of saucepan type is shown in Fig. 10.3

Heating element : The heating element made of Nichrome ribbon resistance wire wound over flat mica sheet. This is place between tow circular sheets, so that the Nichrome wire may not come in contact with any metallic part of the kettle. The two ends of the heating elements are connected to the outlet socket terminals of the kettle through two brass strips.

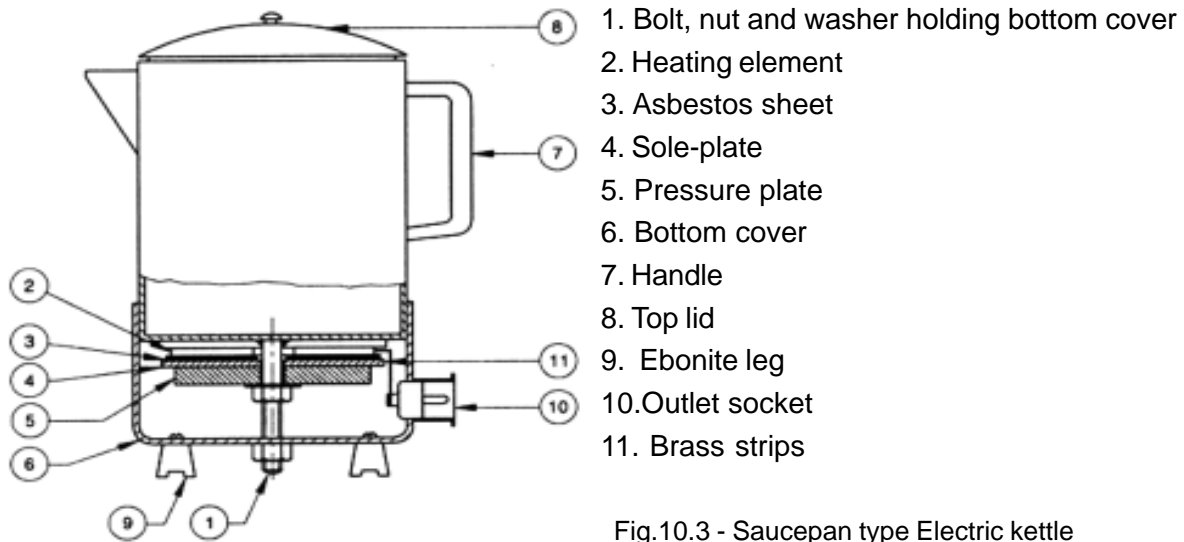


Fig.10.3 - Saucepan type Electric kettle

Asbestos sheet : This is placed below the heating element and mica insulation to serve as a heat insulator. Also It reduces the heat loss in the kettle.

Sole plate : The sole plate is made of cast iron and is of flat surface. It is provided to keep the heating element in closed contact with the container and to avoid deformation of the element when heated.

Pressure plate : This is made of cast iron and is fitted on the middle bolt, by a nut. The pressure plate holds the sole plate in position. If this pressure plate is loosely fitted, the sole plate and the heating element become loose. This leads to expansion and contraction of the element during working and the element will get damaged.

Bottom cover : The bottom cover is fitted to the central bolt of the body by a nut and washer. The terminals and heating elements can be viewed or accessed on removal of the bottom cover.

Working : The working principle is same for both of water kettle. When electric supply is given to the heating element of water kettle, the current that flows through high resistance heating coil produces heat. Thus water kettle converts electrical energy into heat and the water inside the kettle gets heated due to convection.

10.4 MERITS AND DEMERITS

Sl. No.	Swan Neck type	Saucepan type
1	The heating element should not be heated without water. The water level always above the heater element. Otherwise element gets overheated and may burst.	No such fear. Without adequate water, the heating element may be heated.
2	Cool water should not be poured on heating element when it is hot	As the heating element is in separate room, the water can poured at any time.
3	As the heating element has direct contact with water, possibility of heating element getting damaged is high. So reduced life.	As there is no direct contact with water, heating element has long life.
4	Heating time is less as the heating element is in direct contact with water.	Heating time is more as the heating element is in separate room.

10.5 IMMERSION WATER HEATERS:

An immersion water heater is a very simple appliance which heats a bucket of water in a 10 to 15 minutes. It consists of a heating coil and a cord similar to an electric iron as shown in Fig.10.4

Construction : The main parts are i) heating element and ii) outer frame

Heating element : The heating element is made up of Nichrome wire which produces heat while giving electric supply. Its melting point is about 4200 °C. The coil type heating element is normally used in this heater.

Outer frame : The outer frame is made up of chromed iron brass pipe in which a heating element is placed. Inside wall of the pipe is coated with magnesium oxide, which acts as insulation, so that the heating element may not touch the pipe. The top portion of the outer frame is made up of bakelite



Fig.10.4 - Immersion water heater

insulator. The ends of the heating element coils are connected at the points called as a terminal which is connected to the power cord. The scale is also provided to indicate the water level to be maintained.

Operation : To use immersion water heater, one simply fills a bucket of water and places the immersion rod into the bucket either directly or with an aid like a clothes hanger. Then connect the plug into the socket and switch ON. As the supply is given, the heating element gets heated and is transferred to the water. So water gets heated.

Drawbacks:

- i) It does not have an auto off mechanism. This means, when the bucket is warm enough, the system has to be manually switched off.
- ii) Operating immersion heaters without adequate water or no water will burn the coil and render the device useless.
- iii) One can use heated water from the bucket with a mug or external aid. This means having a hot shower is ruled out.
- iv) It is required to transport this bucket of hot water from the place with electric connection to the place of use.

Precaution

- i) The heater should not be heated for a long time. Supply should be given only after immersing the heater in a bucket of sufficient water.
- i) After disconnecting the supply only, water should be taken out from the bucket.
- ii) In the bucket, water should be filled up to the level marked in the heating element.
- iii) The heater should be operated without adequate water otherwise it will burn the coil and make the device useless.

10.6 STORAGE WATER HEATERS (GEYSERS)

These type of water heaters heat and store water in a tank so that hot water available to the service point (e.g., home) at any time. As hot water is drawn from the top of the tank, cold water enters the bottom of the tank and is heated.

The Storage water heaters are further classified into two types.

- i) Non-pressure type and ii) Pressure type

Non-pressure type: When hot water is required only at one service point, this type is used. It holds water of low pressure and hence is called as Non-pressure type. Normally it is used in home as the pressure of the residential water system is low, which is typically 50 to 100 pounds per square inch (psi).

Construction: The constructional parts of this type of heater are shown in Fig. 10.5 and 10.6.

- i) **Heavy inner steel tank** that holds the hot water. Typically this tank holds 40 to 60 gallons of water. The steel tank normally has a bonded glass liner to keep rust out of the water. The inner tank will be surrounded by lead outer tank. The space between the tanks is filled with glass wool which prevents heat transfer from inner tank to outer tank. This helps us to maintain the temperature of hot water for long duration.

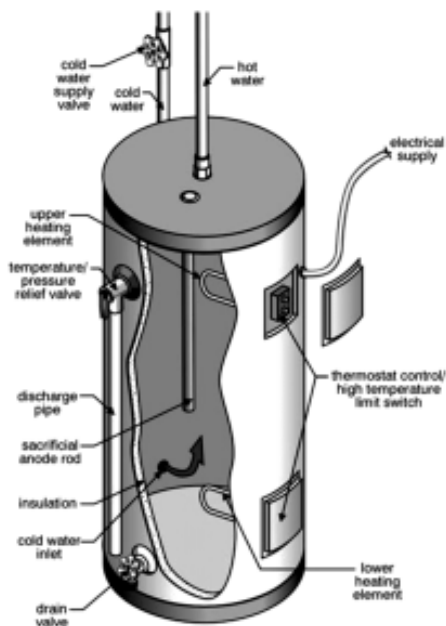


Fig. 10.5 - Full view of storage water heater
(Non-pressure type)

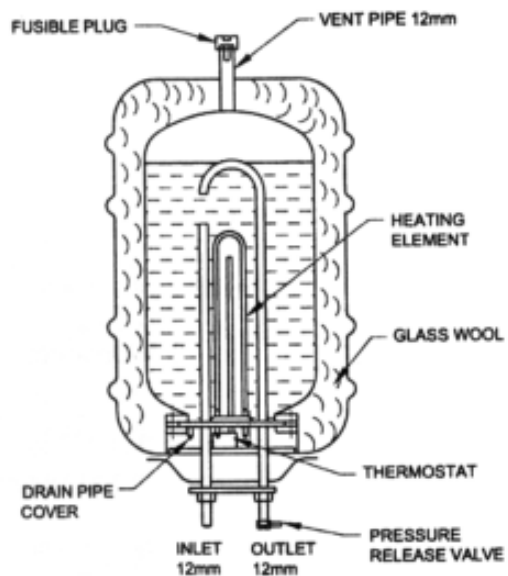


Fig. 10.6 - Simple view of storage water heater
(Non-pressure type)

- ii) **A dip tube** to let cold water into the tank. A dip tube is provided with shutoff valve to control water in.
- iii) **A outlet pipe** to let the hot water out of the tank
- iv) **A thermostat** to control the temperature of the water the tank.
- v) **Heating element** to heat the water

vi) **A drain valve** that allows us to drain the tank to replace the elements or move the tank

vii) **A pressure relief valve** to control the water pressure inside the tank and thus keeps the tank from exploding.

viii) **A sacrificial anode rod** to help keep the steel tank from corroding.

Working : This water heater uses nothing more than the “heat rises” principle to separate hot water from cold water in the tank. When electric supply is given to the heating element, it produces heat and hence water gets heated. As cold water comes in, it remains at the bottom of the tank because it is denser than hot water. The thermostat controls the temperature water inside the tank. It is generally recommended to keep the temperature between 120 to 140 degrees F (49 to 60°C) to prevent scalding and to save energy. The thermostatic switch disconnects the supply when the predetermined value of temperature is reached and reconnects the supply when temperature comes down. Normally the thermostat is underneath a cover plate and it has a knob or a screw to set the temperature.

Pressure type : When hot water is required at more than one point (e.g, multi storied building) this type is used. It holds water of high pressure, (more than 300 psi) it is called pressure type. The construction of this type is shown in Fig.10.7

This type of heater gets its cold water supply through a cistern which is connected to the water main and supply to it is controlled automatically with the help of a float valve as shown in fig. Similar to Non-pressure type, this also contains inner and outer tank separated by glass wool which prevents heat transfer from inner tank to outer tank. The other parts are inlet pipe, outlet pipe, heating element, thermostat, vent pipe (similar to a pressure relief valve in non pressure type) to control the water pressure inside the tank and thus keeps the tank from exploding. In this type, hot water is collected at more than one service point. So the outlet pipe is connected to various service points through control valves.

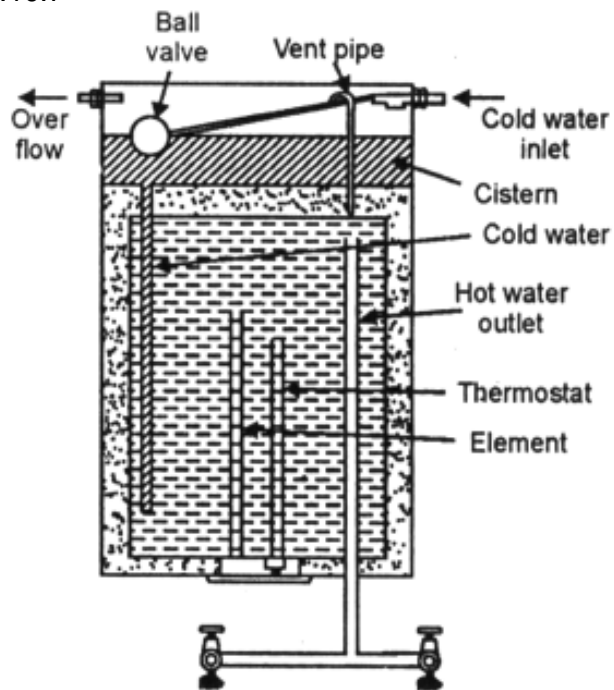


Fig. 10.7 - Pressure type storage water heater

Working : The working principle of this type is same as that of non-pressure type except that the cold water supply and hence the pressure is controlled automatically with the help of float valve. This heater is used to supply hot water to different floors of the building. In this, source point (location of heater) and access point (service point) are at different places. So the users have no control on the cold water in. Therefore, cold water will get in continuously and get mixed with hot water. So when hot water is disposed regularly, the heat in the water gets decreased.

10.7 REPAIRS AND REMEDIES:

Complaint	Causes	Remedies
No hot water	1. No supply.	Check availability of supply at 3-pin socket
	2. Blown fuse.	Replace fuse
	3. Open circuit.	Check the wiring for broken wire or loosed connection.
	4. Heater element burnt out.	Check elements for burn-out
Insufficient quantity of hot water	1. Thermostat setting too low.	Check the thermostat setting. It Should be 60°C to 65°C
	2. Lower value of heating element.	Check the value of heating element and replace
	3. Capacity of tank is insufficient for one's needs.	Check the quantity of water used. Identity if the tank capacity is too small.
Constantly fuse blowing	1. Grounded heating element.	Check the heater element for insulation resistance and replace if necessary
	2. Grounded lead wire.	Check wiring for grounds
Steam in hot water	1. Thermostat improperly connected.	Check the circuit and correct any improper connections.
	2. Thermostat contacts welded together.	Check the thermostat for its operation.
	3. Grounded heating element.	Check the unit for ground.
	4. Thermostat set too high or out of calibration.	Reset thermostat.
High consumption of power leading to increased electricity bill	1. Leaking faucets.	Replace washers in al leaking faucets.
	2. Excessively exposed hot water pipes.	Hot water lines should be as short as possible
	3. Thermostat setting too high.	Reset thermostat. Setting Should be 60°C to 65°C
	4. Grounded heating element.	Check element for ground
	5. Scale deposit on the heating units.	Dismantle the water heater and remove the scale form the element tube gently.

Leaking tank	1. Leakage around thermostat.	Check all points for possible leakage. Replace fibre washers and use Teflon tapes to seal the leaks.
	2. Leakage around heating unit flange.	
	3. Leakage at plumbing connections.	
	4. Tank leak.	

COFFEE MAKER

10.8 FUNCTION OF COFFEE MAKER : A coffee maker is a small heating appliance designed for brewing coffee from ground coffee beans without having to boil water in a separate container.

10.9 TYPES : The different types of coffee makers are

- i) Percolator style coffee maker
- ii) Drip-brew or a drip coffee maker
- iii) Electric or a automatic drip coffee maker
- iv) Vacuum coffee maker
- v) Siphon Coffee maker and
- vi) Pour-over or water displacement drip coffee maker

In this chapter, we will see the Percolator type and Automatic drip coffee makers.

Percolator Type: A coffee percolator is a type of pot that is used to brew coffee. The word percolator is originated from the word “percolate” that means to allow water to pass through the coffee grounds for extracting coffee that give its color, taste and aroma. Today, in the market, one can find different types of percolators, depending on the source of heat.

Electric Coffee Percolator is the most common type. It is much more popular than its counterparts, as it gives a more consistent brew by stopping automatically when the coffee is done. It then switches to a warming mode when completed. An electric percolator has a built in heating element that can be cordlessly used.

Construction: Percolator type coffee maker consists of a pot with a small chamber at the bottom which is placed closest to the heat source. A vertical tube leads from this chamber to the top of the percolator. Just below the upper end of this tube is a perforated chamber.

In the base of the coffee maker will find the resistive heating element (a wire coil that becomes hot when electricity flows through it), which comes in direct contact with the bottom of the warming plate. It is coated in thick, white grease that conducts heat, spreading it out evenly. The resistive heating element is controlled by the on/off switch and, while it’s on, managed by sensors. A simple percolator type is shown in Fig. 10.8

Operation of coffee maker:

The desired quantity of water is poured into the water chamber of the pot and the desired amount of a fairly coarse-ground coffee is placed in the top chamber. It is important that the water level be below the bottom of the coffee chamber.

When the supply is given to the heating element, the temperature rises until the water in the bottom chamber boils. While some models may have a one-way aromalock valve at the bottom of the tube which forces some of the boiling water up the tube, most operate on the simple principle that the rising bubbles will force the liquid up the tube. The hot water is distributed at the top over the perforated lid of the coffee chamber. This water then seeps through the coffee grounds and leaves the

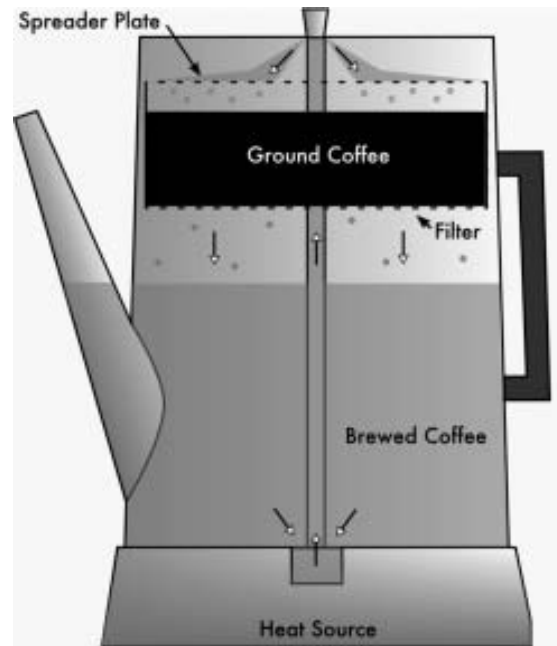


Fig.10.8 - Percolator type coffee maker

coffee chamber through the bottom, dropping back into the lower half of the pot. The rest of the colder water at the bottom is meanwhile also forced up the tube, causing this whole cycle to repeat continually.

As the brew continually seeps through the grounds, the overall temperature of the liquid approaches boiling point, at which stage the “perking” action (the characteristic spurring sound the pot makes) stops, and the coffee is ready for drinking.

Drip Coffee maker :

This type simulates the working of a manual drip coffee brew, where a filter containing the grounded coffee is placed over a carafe and hot water is poured over the coffee ground and then, passing through the filter, drips as coffee into the carafe. This can be done manually or by using an electric or automatic drip coffee maker. An average size for a drip brew coffee maker would be a 12 cup coffee maker.

Automatic drip coffee maker:

In automatic type, Water from a cold water reservoir passes through a flexible tube into a heating chamber where the water is heated, a thermostat prevents that it is heated too much and converted into steam. This heated water gets moved up towards a spray head from where it drips down onto the ground coffee. This coffee is normally contained in a, paper or gold, filter hold by a container, which is located below the spray head. The water passes through the filter, the coffee and than drips into a glass or thermos carafe. When brewing more as 12 cups coffee a more powerful heating element is necessary.

11. ELECTRIC MIXER AND EGG BEATERS

11.1 Function of Mixie

Mixer and Grinder is a kitchen appliances that facilitates task related with mixing and crushing the food. These electric machines are very much helpful as they save time and energy. There are number of attachment like blades, disc, jars etc. comes with these appliances to facilitate different uses to make the food more full of flavor and yummy.

11.2 Construction : The various parts of Electric Mixie are shown in Fig.11. The importance parts are explained as below.

Motor : The motor used in Mixie is Universal motor, which is nothing but Series motor having both armature and field. The special feature of this motor is that it can be operated both in AC and DC supply. The armature core is made of silicon steel alloy and laminated to avoid eddy current and hysteresis losses. This motor provides a very good torque and its speed is regulated either by tapped field coils or tapped resistance in series. The power rating of motor would be about 500 W, operates on 220/204 V, 50 Hz AC supply. The no load speed would be about 18000 rpm with a full load speed of about 10000 rpm. The motor is housed in base of mixie body.

Blender and Grinder: Normally each mixie is associated with 3 kinds of jar of different capacity as shown in Fig.11.2 The name and function of each jar is given in Table I.

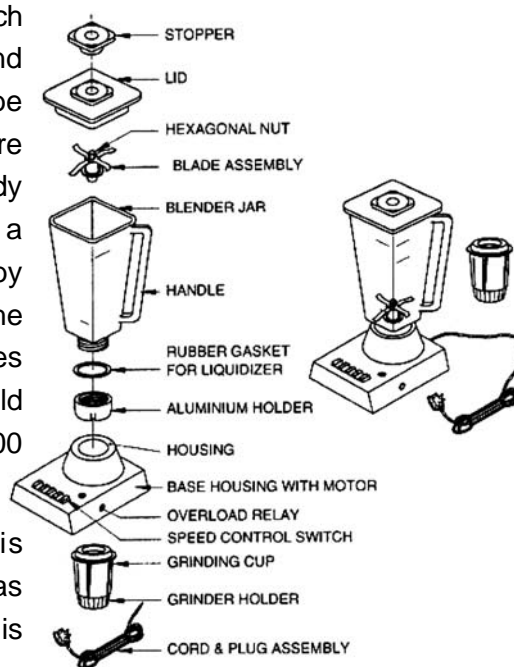


Fig.11.1 - Exploded view of a Food Mixer

Table I

Sl.no.	Name of Jar		Material used	Function
	According to their capacity	According to their function		
1	Big Jar	Blender	Transparent	This can make shakes, lassi or Plastic other drinks or cocktails. It is also used for blending and stirring. Liquid can be filled upto $\frac{3}{4}$ of the blender capacity. This jar also can be used for butter churning, egg whipping, Mincing meat, grating vegetables, nuts and coconuts, crushing ice etc.
2	Medium jar	Grinder		
3	Small Jar (Chutney Jar)			

Blades: Blades are made of good quality stainless steel and will therefore give high life. Each jar will have its own blades according to its purpose. Jars are designed to grind dry or wet substances. So it is advisable not to interchange the blades from one jar to other.

Speed control: For speed control purpose, the tapped field coils are normally employed in mixer motor. The tapped field coils as shown in Fig.11.3, enables speed selection through a rotary switch provided in the Mixer. Normally 3 speed levels (1, 2 and 3) will be provided in the Mixer motor. By turning rotary switch clockwise, we can get speeds 1, 2 or 3 as desired.



Fig.11.2 - Mixer jars

For inching purpose, it is required to turn rotary switch anti-clockwise for a few seconds and release for momentary operation. (This is especially useful for wet grinding of chutneys, mincing meat, grating vegetables, crushing ice, etc.).

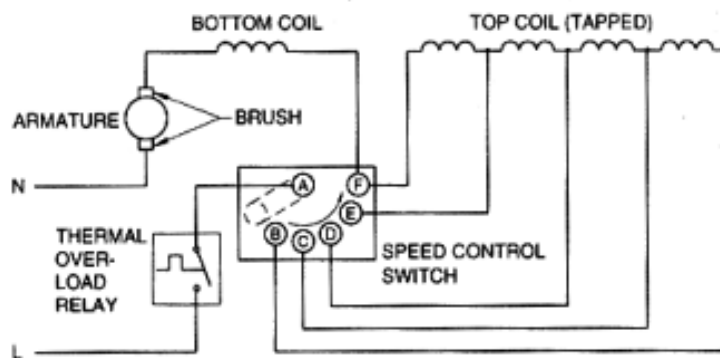


Fig. 11.3 - Schematic diagram of a typical portable 5 speed Food Mixer

Auto Overload Protector: Almost all brands of Mixies will be fitted with an overload protector. In case of overloading or severe fluctuation, the overload protector will trip automatically. This ensures that the Mixer motor is protected. If the Mixer stops in usage, due to operation of the Overload Protector, then do the following:

- i) Switch OFF the supply to the Mixer.
- ii) Decrease the load by removing some materials, which is being ground, from the Jar.
- iii) Wait for 3-4 minutes.
- iv) Press the overload relief button and restart the Mixer.

Other features such as Jar mounting lock (fixing) and proper lid closing are included in the appliances.

11.3 General Operating Instructions:

- 1) Place the rubber sealing ring on the base of the blade assembly. Screw the blender in the assembly until tight.
- 2) Place the ingredients in the blender.
- 3) Place the lid on the blender. When the motor is running, only the centre stopper should be removed to add water for the free circulation of materials.
- 4) Switch on the motor.
- 5) If a material sticks to the sides of the Jar, stop the Mixer and stir using stirrer. Then run again.
- 6) When the operation is complete, Switch OFF the Mixer. Wait for few seconds till the motor stops completely and then remove the blender.

11.4 Caution:

1. Do not run the motor without any load.
2. The motor should not be run for more than the specified time (prescribed by the manufacturer)
3. Do not operate unless Jar and Dome are in proper position.
4. Do not grind hot ingredients in the Mixie.
5. Do not add solid ingredients, when the Motor is running.
6. Do not add big ice pieces while making cold drinks. Crush the ice and put into the blender.

Note: Before using Mixie, read the operation manual given by the manufacturer thoroughly.

11.5 Cleaning:

Body and Top Cap: Clean body and Top Cap with a damp cloth and wipe dry. Do not use abrasives or water for cleaning.

Stainless Steel Jars and Blades: Fill in ½ litre of lukewarm water and a teaspoon of any mild cleaning power. Run the unit on speed 1 for 30 Seconds. Rinse and dry. Always store Jars in inverted position, to allow water to drain off.

11.6 Repairs and Remedies:

Sl.No.	Fault	Possible Reason	Remedy
1.	Motor is not running	1. No voltage or Low voltage 2. Either motor field or armature coil may get open circuited.	1. Check the supply voltage with multimeter. 2. Do the continuity test. If there is an open circuit fault, do the service.
2.	Supply voltage is correct. But motor is not running.	Overload in the jar and hence overload protector may get tripped	Press the overload relief button and remove some materials in the jar. Now restart.
3.	Motor rotates at same speed in all speed settings	May be loose connections in the regulator	Check and solder the wires at regulator terminals.
4.	Excessive heat produced	1. May be any short circuit in armature or field coils. 2. There may be wear and tear in the bearings.	1. Do the continuity test. If there is an short circuit fault, do the service. 2. Check and put lubricating oil at bearings. If heat persists, replace it.

EGG BEATERS:

11.7 Function of Egg beaters:

An egg beater is used not just for beating eggs, but also for whipping up cream and other ingredients. Even though there are fancy types available, sometimes a simple egg beater as shown in Fig. will be sufficient to do the job. Egg beaters are available in two forms.

- i) Hand Operated Crank type
- ii) Hand Operated Electric type

11.8 Hand Operated Crank Type: Hand Beaters are used to beat a food item or food mixture, to both mix it and introduce air. The most popular use is for beating egg whites and whipped cream. They are powered by hand, making them more work than electric hand mixers, but less work than using a Whisk or any other implement. A Hand Beater is generally about 9 inches (23 cm) tall. It has a handle on top, a crank in the middle, and beaters at the bottom, as shown in Fig.11.4. We need two hands to operate it. One hand holds the top handle and directs the beaters; the other turns the crank. The crank turns gears which in turn rotates the beaters. The beaters are sometimes referred to as “blades” or “whisks.” The beaters are circular, dull-edged blades that rotate in and out of each other, one turning clock-wise, the other turning counter-clockwise. The swirling of blades beats the eggs or whips the cream.

11.9 Hand Operated Electric type: Hand Beaters can be used for all kinds of things, not just eggs, but generally, people who have Hand Beaters tend to reach for electric hand mixers when it's a matter of mixing heavier ingredients, or for longer periods of time. The electrically powered type consists of a handle mounted over a large enclosure containing the motor, as shown in Fig.11.5, which drives one or two beaters. The motor used is Geared motor or Universal motor. In case of geared motors, Gears translate the motor's rotation to the opposing rotation of the beaters. The power rating of motor would be about 100-150 W, operates on 220/240 V, 50 Hz, AC supply. The beaters are immersed in the food to be mixed. When electric supply is given, motor rotates which makes the blades of beater to swirl or rotate. The swirling of blades beats the eggs or whips the cream.



Fig.11.4 - Crank type egg beater



Fig.11.5 - Electric egg beater

QUESTIONS

Part - A

Choose the Correct Answer

(1 Mark)

- The drive motor used in electric Mixie is
A) DC series motor B) Induction motor
C) Universal motor D) Synchronous motor
- The no load speed of electric mixie motor is about
A) 3000 rpm B) 6000 rpm C) 12000 rpm D) 18000 rpm
- The cutting blades of electric mixie are made up of
A) stainless steel B) plastic C) aluminium D) silver
- If the electric mixie is overloaded, the motor
A) will not run B) will run continuously at specified speed
C) will run continuously at reduced speed
D) will run continuously at a speed more than specified speed
- The possible causes of a food mixie running hot at normal speed are
i) overload ii) low supply voltage iii) wear and tear in motor bearings
Choose the correct choice among the following.
A) i and ii alone are correct B) ii and iii alone are correct
C) i and iii alone are correct D) All are correct

Part - B

Answer the following questions in one or two words

(1 Mark)

- In what direction, the rotary switch in mixie is to be turned in for inching operation.
- For speed control of mixie motor, tapping is provided in armature coil. Say TRUE or FALSE.
- Name the jar used to make shakes, lassi and other cool drinks.
- State the possible cause(s) for the motor not running in electric mixie though the supply voltage is correct.
- What is the special feature of Universal motor?

Part - C

Answer the following questions briefly

(4 Marks)

1. What are the three kind of jars used in electric mixie. State the function of each.
2. How to restart the mixie if it stops due to overload?
3. How do you clean body of electric mixie, its jar and blades?
4. State the possible cause(s) and remedies when i) mixie motor is not running and ii) Excessive heat is produced
5. How is speed control achieved in electric mixie motor?

Part - D

Answer the following questions in one page level

(10 Marks)

1. Explain briefly the constructional details of electric mixie.
2. What is egg beater? Explain briefly the construction and operation of hand operated crank type egg beater.
3. Explain briefly the function of following in electric mixie i) different jars ii) Auto-overload protector

12. VACUUM CLEANER AND WASHING MACHINES

12.1 Function of Vacuum Cleaner

A vacuum cleaner is common household appliance used for cleaning purposes. A vacuum cleaner cleans by creating suction. A pump creates a pressure difference inside the unit causing atmospheric air to be forced up through a tubing system. Most vacuum cleaners utilize a rotating brush at its entrance to help “sweep” dust and dirt into the suction path. Vacuumed particles are finally deposited in some collecting container that can either be removed or emptied after use.

12.2 Principle of Vacuum cleaner:

When you drink through a straw, you are using a simple suction mechanism. Sucking the liquid up causes pressure to drop between the bottom and the top of the straw. With greater pressure at the bottom than the top, the drink is pushed up to your mouth. The same principle happens in a vacuum cleaner.

12.3 Main Components:

There are six main components to a standard vacuum cleaner. They are

1. Intake port which may include attachments such as a brush
2. Exhaust port
3. Electric motor
4. Fan
5. Porous bag or container
6. Housing

12.4 Vacuum Cleaner Features:

1. Weight – lighter vacuum cleaners can be more portable
2. Wheels – most vacuum cleaners move along on wheels
3. Power – although suction does not always depend on the power, a higher-powered vacuum cleaner will clean more efficiently, although energy costs can be higher.
4. Power settings – adjusts power according to surface and cleaning needs. Settings can be fixed and/or variable
5. Dust container/dust bag full indicator – tells you when to empty the dust container or dust bag
6. Cord length – the longer the cord, the further you can vacuum clean from the power socket. This also means you don't have to change power sockets
7. Automatic cord rewind/storage – saves time, effort and space

12.5 Types of Vacuum Cleaner:

1. Cylinder vacuum cleaner - usually more versatile, and are easier to store.
2. Upright vacuum cleaner - ideal for cleaning carpets and large areas of the home, with a handle at waist height making it easy to move along.
3. Wet and dry vacuum cleaner - will wash surfaces and carpet as well as vacuum clean them, but can be a little heavier.

Cylinder vacuum cleaner: The electric current makes the motor work. The motor is attached to the fan, which has angled blades. As the fan blades turn, they force air forward, toward the exhaust port. When air particles are driven forward, the density of particles (and therefore the air

pressure) increases in front of the fan and decreases behind the fan. This pressure drop behind the fan is just like the pressure drop in a straw when you drink. The pressure level behind the fan drops below the pressure level outside the vacuum cleaner. This creates suction, a partial vacuum, inside the vacuum cleaner. The air pushes itself into the vacuum cleaner through the intake port because the air pressure inside the vacuum cleaner is lower than the pressure outside.

Cylinder vacuum cleaners have the following main uses:

1. For efficient, general purpose cleaning around the home and car interiors
2. To vacuum areas that would be awkward to clean with an upright vacuum cleaner, like stairs and under furniture
3. To clean upholstery, crevices, curtain fabrics, car interiors and remove pet hair, when used with a range of accessories.

With the motor and bag (if the cylinder vacuum cleaner is a bagged model) in a separate unit connected to the hose, cylinder vacuum cleaners are ideal for cleaning floor spaces with furniture and stairs, and reach far more places around the home than an upright vacuum cleaner. Cylinder vacuum cleaners also beat upright vacuum cleaners on maneuverability, with long floor heads that are lighter and easier to direct when vacuum cleaning.

Upright Vacuum Cleaner:

A vacuum cleaner operates by creating a low pressure area inside the machine causing for air at atmospheric pressure to be forced or “sucked” into the system. Most commonly, the electric motor uses a fan; spinning of the fan causes the low pressure region and therefore the suction. A spinning brush is often used to help sweep up dust, dirt or other particles into the air stream. Particles pass through the intake port and are deposited into some type of container. Air is forced out through the exhaust port to allow for the continuous flow of air. Finally, dirt and dust is removed by either removing the porous bag or emptying the removable container. Upright vacuum cleaners are best used in the following ways:

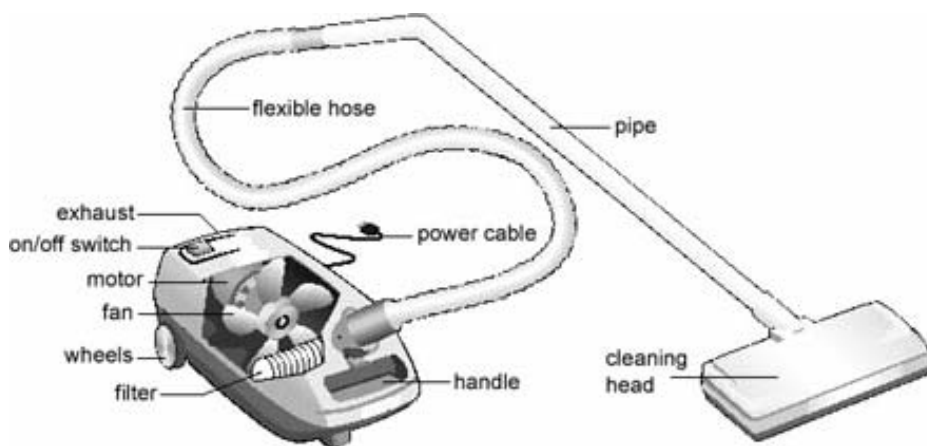


Fig.12.1 - Cylinder vacuum cleaner

1. To clean large floor spaces
2. For homes with thick carpets
3. As an efficient means of picking up pet hair.

The traditional style of, the upright vacuum cleaner now incorporate many new features, making them more versatile. Unlike cylinder vacuum cleaners, upright vacuum cleaners are housed in an 'all in one' unit, and are pushed with handles that are conveniently at waist height. Large areas can be cleaned effortlessly, without having to worry about dragging the vacuum cleaner behind you.

Today's upright vacuum cleaners from leading brands offer a huge range of additional features, including stretch hoses for stairs and upholstery, and on-board tools for cleaning corners and hard to reach areas. Upright vacuum cleaners also often use rotating mechanical beaters, or brushes, to help shift the dust being vacuumed up, giving them another advantage when compared to cylinder vacuum cleaners.

Upright vacuum cleaners deliver improved suction power – especially useful for homes with pets - and are easy and compact to store when not in use. However, they are often heavier to move around than most cylinder vacuum cleaners, although there are exceptions.

Wet and Dry Vacuum Cleaner:

The basic design is simple: On its way through the cleaner, the air stream passes through a wider area, which is positioned over a bucket. When it reaches this larger area, the air stream slows down, for the same reason that the air speeds up when flowing through a narrow attachment. This drop in speed effectively loosens the air's grip, so the liquid droplets and heavier dirt particles can fall out of the air stream and into the bucket. After we're done vacuuming, we simply dump out whatever has collected in this bucket.

Wet and dry vacuum cleaners have the following main uses:

1. For cleaning up wet spills on the floor and other areas around the home
2. As a dry vacuum cleaner suitable for a similar range of uses as a conventional vacuum cleaner
3. To both wash and vacuum clean a range of floor types and surfaces

While wet and dry vacuum cleaners' capabilities vary according to size, model and brand, they are used to clean both wet and dry areas. Carpets are washed as easily as they are vacuumed.

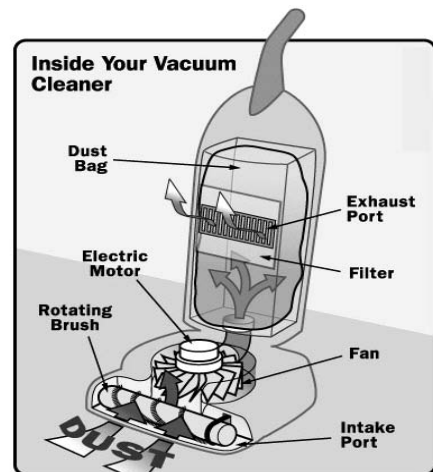


Fig. 12.2 - Upright vacuum

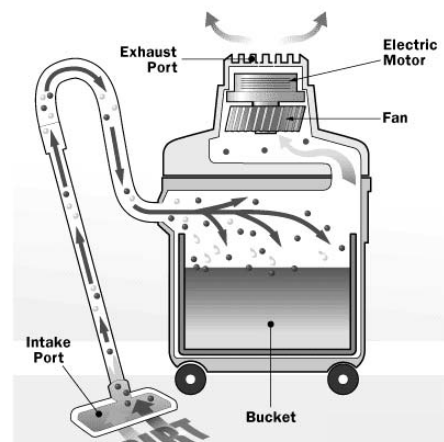


Fig.12.3 Wet and Dry vacuum cleaner

We'll usually need to add a cleaning solution to the wet and dry vacuum cleaner in order to wash our carpet. The dirty water is held in a container that can be emptied. Higher capacity wet containers allow for longer wash times between emptying.

12.6 Vacuum Cleaner Accessories: Vacuum cleaners usually come with a range of accessories for a variety of uses. It's worth finding out what accessories are available for our cleaning needs. Tools for cleaning homes with pets, upholstery and special floor surfaces are often included with vacuum cleaners, and we can also buy additional accessories.

12.7 Vacuum Cleaner Capacity : The larger the capacity of the vacuum cleaner, the more you can clean before emptying the dust container or replacing the dust bag. While a larger capacity can be useful, it will make the vacuum cleaner heavier and less compact. It's worth noting that handheld vacuum cleaners and robotic vacuum cleaners have a smaller capacity.

12.8 Vacuum Cleaner Filtration : Vacuum filters are essential for trapping harmful particles and cleaning the air. Three types of vacuum filter are available;

1. Standard
2. HEPA/S-class
3. Lifetime.

Standard filters offer basic filtration, but HEPA and S-class filters can trap up to 100% of allergens and over 99.7% of particles down to 1 micron, including dust mites, which makes them ideal for allergy sufferers. Lifetime filters can be standard or HEPA/S-class, but don't need to be replaced. The better the filter, the more expensive the vacuum cleaner will be, but the benefit is a cleaner, more hygienic house.

12.9 Repairing of Vacuum Cleaner

When a vacuum cleaner fails to clear the dirt effectively, we think of replacing it with a new one. But troubleshooting a vacuum cleaner is not a so difficult task. When a vacuum cleaner begins to perform ineffectively there are three main areas that need to be considered namely poor suction, still brush and no power supply.

Other than these three areas, there are other parts of the vacuum cleaner which is worth considering. These are the vacuum cleaner belt, clogging of the hose, vacuum filter etc. now before you start troubleshooting your vacuum cleaner, it is very important to detect what actually is wrong with your vacuum cleaner. Once we are aware about the faulty parts that are causing the problem than repairing it is easy. As most of the vacuum cleaners problem are not problems at all.

Following are some steps that will guide us on troubleshoot/repair the vacuum cleaner:

1. If the faulty is in the belt then we have no other choice rather than to replace it with a new belt. It is not possible to repair a belt. Installing a new belt is not a difficult task. Turn over the vacuum cleaner and unscrew the plate so that you face the brush. Remove the old belt which connects the agitator brush and the drive shaft and install the new one. 3
2. Check the agitator brush for any thread or hair that could be tangled in the brush. Use a scissor to cut them out. And make sure that it is spinning properly with ease. If the brush is worn out then replace it with a new one.

3. If your vacuum cleaner is not sucking up the dirt effectively then it could be due to a clogged filter or hose or a moist bag. Cleaning the filter and the hose can increase the cleaning efficiency of the cleaner. If required replace the filter that will enhance the efficiency of the vacuum cleaner.
4. If there is no power supply to the vacuum cleaner then check for any discontinuity along the wire. Replace the breakers if required and mend any discontinuity along the line. Another reason for no supply of power could be due to a burned out motor. In this case we will have to replace the motor.
5. Check the vacuum hose for any holes. A vacuum hose with a hole will face suction problem. So if there is any hole on the hose then repair it by pasting a tape on it.

WASHING MACHINE

12.10 Function of Washing Machine:

Washing machine is the electronic home appliance used to wash the various types of clothes without applying any physical efforts. With washing machine we don't have to rub the clothes with hand or squeeze them to remove the water from them. The washing machine does wash our clothes automatically without having to supervise its operation. All we have to do is put the clothes in the machine and select the wash mode. The washing machine automatically takes the required amount of water and detergent required. It also automatically sets the timer for washing, rinsing and drying as per the selected mode of operation.

12.11 Types of Washing Machine

- | | | |
|-------------------|--------------------|--|
| 1) Semi-Automatic | 2) Fully Automatic | <div style="display: flex; align-items: center;"> <div style="font-size: 2em; margin-right: 10px;">}</div> <div> <p>Top loading washing machine</p> <p>Front loading washing machine</p> </div> </div> |
|-------------------|--------------------|--|

Semi-automatic washing machine: This has separate tubs or vessels for the washer and the drier. There are two separate timers that enable setting washing and drying times. The washing tub operates at lower speed whereas the spin drier tub operates at a higher speed. To wash the clothes, we have to put the clothes in the wash vessel, put sufficient quantity of the water and detergent and then set the timer. After the specified time, the washing machine will stop. We can remove the clothes and dry them in the sun or dry them partially in the drier vessel by setting suitable time.

Fully automatic washing machine: In fully automatic washing machine there is only one tub that serves as the washer, rinser as well as the drier. Depending on the number of clothes or the weight of the clothes, the machine takes in the sufficient amount of water and detergent automatically and sets the timer for wash and drying automatically. All we have to do is just provide the water connection, put the detergent from time-to-time in its storage space and put the clothes, the fully automatic washing machine does the rest of things automatically. Such a fully automatic washing machine uses advanced Neuro-fuzzy logic technique for taking decisions automatically. Machines with this technique use micro programmer for their programming and can make decisions about the type of washing to be used depending upon type of fabric and the extent of dirt.

Top loading washing machine: In this washing machine the clothes are loaded and unloaded from the top of the washing machine. There is a cover at the top that helps loading and unloading of clothes in the round vessel that perform the function of the washer as well as the rinser and drier in the fully automatic washing machine. The top loading machine employs agitator type washing technique. This type of washing machine is preferred by the people who don't want to bend the body while loading the clothes in the machine.

Front loading washing machine: In this machine the clothes are loaded from the front side. The studies have shown that the front loading washing machines consume less electric energy, water and detergent and also give better washing results compared to the top loading washing machine. This type employs drum type wash technique.



Top loading washing machine



Front loading washing machine

12.12 Washing technique used:

Pulsator Technique : This is the most common type, used in semi-automatic type washing machine, shown in Fig.12.4. Pulsator is a disc, concave in shape used to rotate the cloths in water. Dirt is removed by the cloth ruby against tub wall surfaces and the disc.

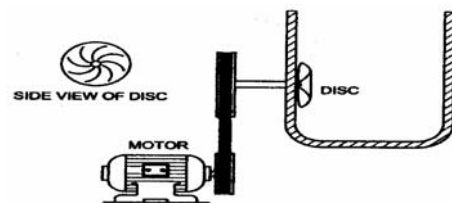


Fig.12.4 - Pulsator washing arrangement

Agitator wash technique: An agitator which is long and cylindrical in shape is installed at the centre of the washing tub as shown in Fig.12.5. The water and clothes circulate around the agitator, thereby undergoing a through cleaning process. Not suitable for delicate fabric. This technique is used in Top loading washing machine.

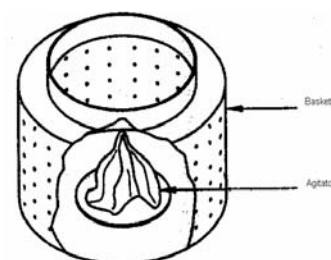


Fig.12.5 - Agitator washing arrangement

Tumbler washing tub technique: This technique is used in Front loading type washing machine. In this type, washing is carried out by tumbling the clothes with the help of a simple cylindrical drum as shown in Fig.12.6. Here the construction is simple and clothes are tumbled around the drum by virtue of the drum itself being rotated by means of a pulley at the rear or the friction drive of the idlers.

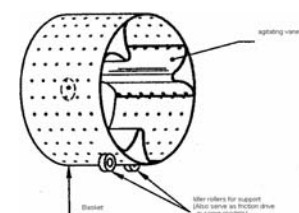


Fig.12.6 - Tumbling washing tub

12.13 Working cycle:

There are three cycles involved in washing process. i) Wash cycle ii) Rinse cycle and iii) spin cycle

Wash cycle: This cycle involves thorough cleaning of the cloths i.e., removing dirt from cloths. This is done by moving the cloths up, down, back and forth, by means of Agitator cylinder/ Tumbler washing tub, so that the cloths get mixed well with the detergents. This motion is repeated for a determined period of time.

Rinse cycle: This cycle involves discharging the detergent particles trapped in the washed fabric.

Spin cycle: This cycle involves removing out as much water as possible from the wet clothes.

12.14 Constructional details of semi-automatic washing machine:

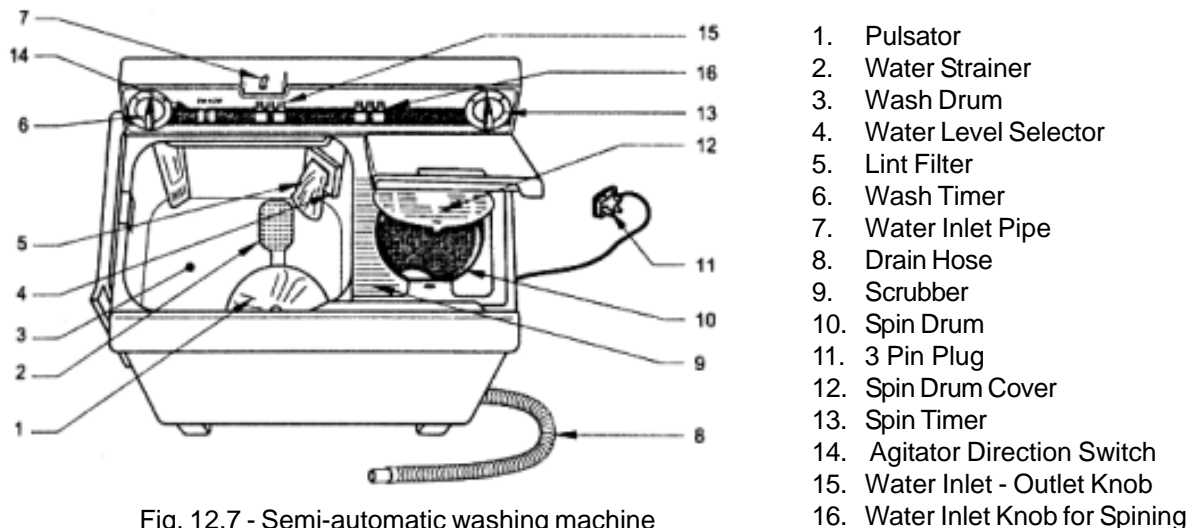


Fig. 12.7 - Semi-automatic washing machine

Pulsator: It is a disc, concave in shape used to rotate the cloths in water. Dirt is removed by the cloth rubbing against tub wall surfaces and the disc.

Wash and Spin drum: There are separate tubs or vessels for the washer and the drier. Normally these tubs are made up of sheet steel coated with zinc to improve rust resistance. The washing tub operates at lower speed whereas the spin drier tub operates at a higher speed.

Wash and spin timer: There are two separate timers that enable setting washing and drying times.

Water inlet control knob: Depending on the quantity of clothes to be washed, the amount of water is to be filled up to the required water level mark. Near the water inlet point of the washing there is water inlet control knob used to control inlet water.

Drain pump: Some of the washing machines have a pump for quick removal of water from the drum for fast operation. This may either be gravity drain method or driven by means of a friction pulley and lever from the main driver or a separate motor is attached to the same. A small sized motor with a water pump are used in some washing machines.

Drive motor: The most popular type of motor used in a washing machine is a single phase, 230 V, 50 Hz, capacitor start and run squirrel cage induction motor. These motor may range from 1/3 to 1/2 hp rating. These motors are normally protected from overload and overheating conditions by means of a bimetallic overload relay or a thermal switch. The motor is located in such way that water leakages do not fall on to these motors.

Working of semi-automatic washing machine: The semi-automatic type washing machines are relatively simple in operation and construction. It consists of two separate tubs names as wash tub and spin tub as shown in Fig.12.8. The washing cycle in such a type of machine would consist of the user filling the wash tub with water upto the required water level. The water level can be set, according to quantity of cloths, using water level selector. Soap and bleach are to be added. Depending upon the types of the clothes to be washed, the 'ON' time or wash time of the machine is to set and the machine is switched 'ON'. Most machines have the agitator directly driven with out any intermediate gears as shown in Fig. 12.8.

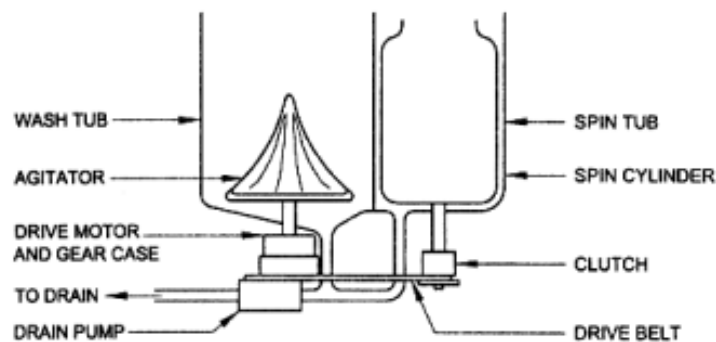


Fig. 12.8 - Twin tubs of semi-automatic washing machine

After the washing is completed as per set time, the water from the wash tub should be drained out. Fresh water is to be filled for rinsing purpose to remove detergent form fabric. Required time is to be set manually. The clothes after being rinsed are placed in the spin tub and it is rotated at high speed. Due to the centrifugal action, the water from the clothes is removed fully till it is just damp dry. The time duration for spin operation is to be set manually with the help of spin timer. After spin cycle is over, take the clothes out and dry them in suitable place.

Advantages:

- 1) It is applicable for low and medium budget people as the cost is less by 30% to 50% when compared to fully automatic washing machine.
- 2) The wash time can be set manually hence electric energy can be saved.
- 3) It is also suitable in places having no water tank and pipe line.

Disadvantages:

- 1) As the name indicates, partial work has to be done manually like pouring water, changing clothes from one tub to another and expelling of water.
- 2) Very few models have in-built heater facility.
- 3) Should be handled carefully or else it may lead to leakage of water.

12.15 Basic Structure of Top loading washing machine:

The complete structure showing the inner parts of washing machine are shown in Fig.12.9 The following components have to be present in any type of washing machine, be it top-loading or front-loading. Different models of machines differ only in the positioning of these parts. There is a specific function assigned to each part.

1) Water inlet control valve: Near the water inlet point of the washing there is water inlet control valve. When we load the clothes in washing machine, this valve gets opened automatically and it closes automatically depending on the total quantity of the water required. The water control valve is actually the solenoid valve.

2) Water pump: The water pump circulates water through the washing machine. It works in two directions, re-circulating the water during wash cycle and draining the water during the spin cycle.

3) Tub: There are two types of tubs in the washing machine, inner and outer. Normally these tubs are made up of sheet steel coated with zinc to improve rust resistance. The clothes are loaded in the inner tub, where the clothes are washed, rinsed and dried. The inner tub has small holes for draining the water. The external tub covers the inner tub and supports it during various cycles of clothes washing.

4) Agitator or rotating disc: An agitator is a plastic cylinder positioned at the center of the inner tub. It is the important part of the washing machine that actually performs the cleaning operation of the clothes. During the wash cycle the agitator rotates continuously and produces strong rotating currents within the water due to which the clothes also rotate inside the tub. The rotation of the clothes within water containing the detergent enables the removal of the dirt particles from the fabric of the clothes. Thus the agitator produces most important function of rubbing the clothes with each other as well as with water.

In some washing machines, instead of the long agitator, there is a disc that contains blades on its upper side. The rotation of the disc and the blades produce strong currents within the water and the rubbing of clothes that helps in removing the dirt from clothes.

5) Motor of the washing machine: The motor is coupled to the agitator or the disc and produces its rotator motion. These are multispeed motors, whose speed can be changed as per the requirement. In the fully automatic washing machine the speed of the motor i.e. the agitator changes automatically as per the load on the washing machine. In fact, it is the motor which accelerates the process of washing. Therefore, it is a very important component of a washing machine. The most popular type of motor used in a washing machine is a single phase, 230 V, 50 Hz, capacitor start and run squirrel cage induction motor. These motor may range from 1/3 to 1/2 hp rating. These motors are normally protected from overload and overheating conditions

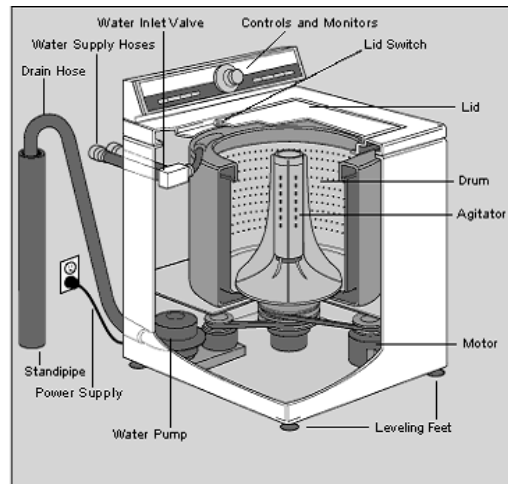


Fig.12.9 - Top loading washing machine

by means of a bimetallic overload relay or a thermal switch. The motor is located in such way that water leakages do not fall on to these motors

6) Timer: The timer helps setting the wash time for the clothes manually. In the automatic mode the time is set automatically depending upon the number of clothes inside the washing machine.

7) Controller: The controller comprises of the various electronic components and circuits, which are programmed to perform in unique ways depending on the load conditions (the condition and the amount of clothes loaded in the washing machine). They are sort of artificial intelligence devices that sense the various external conditions and take the decisions accordingly. These are also called as fuzzy logic systems. Thus the controller will calculate the total weight of the clothes, and find out the quantity of water and detergent required, and the total time required for washing the clothes. Then they will decide the time required for washing and rinsing.

8) Drain pipe: The drain pipe enables removing the dirty water from the washing that has been used for the washing purpose.

Working of Top loading washing machine: The process of washing starts in the inner wash tub. It involves the adding of water and detergent mixture to the clothes. The detergent contains many enzymes that work on clothes to clean them. In the inner wash tub, the cloths are tumbled and moved to all sides of the agitator.

Agitator enhances the action of enzymes on clothes. An agitator is a plastic cylinder positioned at the center of the inner tub. Generally, an agitator is finned. Its finned structure aids it in its function. The function of an agitator is to move the clothing up, down, back and forth so that the clothing mixes well with the detergent. The inner wash tub also moves along with the agitator. This motion is repeated for a determined period of time. The agitator ensures thorough cleaning of the clothing. This cycle is known as the wash cycle.

The timer helps setting the wash time for the clothes manually. In the automatic mode the time is set automatically depending upon the number of clothes inside the washing machine. In the wash cycle, the agitator and the inner tub are moved rhythmically by a powerful electric motor. In fact, it is the motor which accelerates the process of washing.

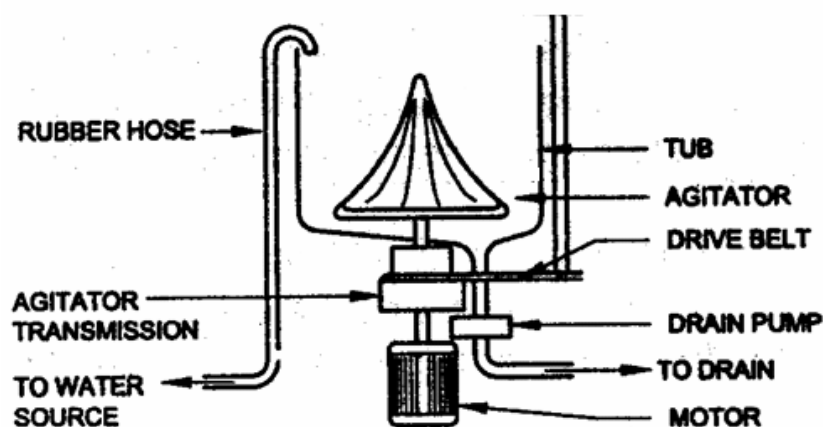


Fig.12.10 - Simple structure of Top loading washing machine

The inner tub has numerous holes. The centrifugal force pulls out wash water from the clothes and makes it move through these holes to the outer tub which stationary. The water gets pumped out from here through the drain tube. After the wash water has left, the inner tub is again filled with clean water. Agitator again works to tumble the clothing. This is the second cycle and is called the rinse cycle. The aim of this cycle is to discharge the detergent particles trapped in the washed fabric. On completion of rinsing, the machine again drains out water.

Once the water has been drained out, another electric motor comes to play. It agitates the inner tub at an extremely high speed. The centripetal force spins out remaining water from the fabric and expels it through the drain tube. This is a timed process. The clothing gets reduced from saturated to merely wet. This is the third cycle, called as spin cycle, which is is to remove out as much water as possible from the wet clothes. In all the steps, draining is carried out by the drain tubes. The cleaning of the fabric is done and it is ready to dry.

12.16 Construction and Working of Front loading washing machine:

The construction and working of front loading washing machine is similar to top loading except that it consists of a cylindrical drum, instead of the long agitator as shown in Fig.12.11. In this type, washing is carried out by tumbling the clothes with the help of a simple cylindrical drum called as tumbler washing tub as shown in Fig.12.12

The disc contains blades, called as agitating vanes or paddle, on its upper side. The rotation of the disc and the blades produce strong currents within the water and the rubbing of clothes that helps in removing the dirt from clothes. As Front loaders spin and allow gravity to do the work as the clothes tumble and bounce, so do not have agitators.

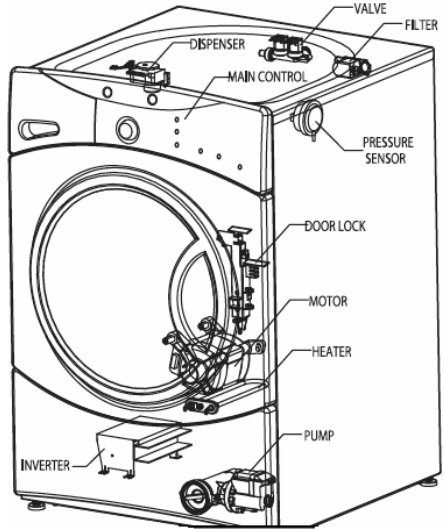


Fig. 12.11 - Inside a front loading washing machine

Note: Some models of washing machines, either semi or fully automatic, having heater in the bottom of washing tub. The heater is generally immersion rod type which is permanently fixed in the bottom the washing machine as shown in Fig.12.13. The purpose is to produce warm water for loosening stripper dirt particles of the clothes for quick cleaning.

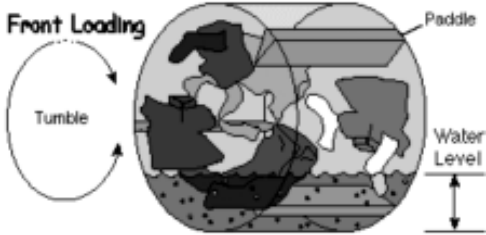


Fig.12.12 - Tumbler washing tub

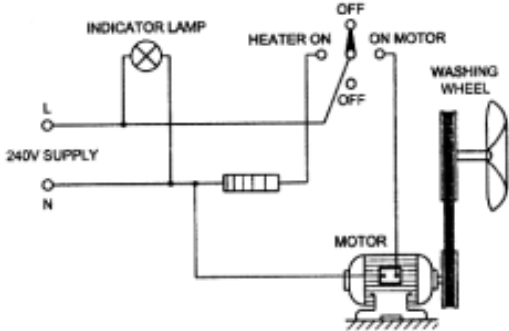


Fig.12.13 - Simple washing machine with heater

12.17 Comparison of Front load and Top load Washing machines:

Top load - includes a wider variety of available models, colors and features as they have been on the market longer.

- ◆ Cost is less initially, but is less energy-efficient.
- ◆ Offers easier access to the wash tub.
- ◆ Uses regular detergent
- ◆ Heater facility and separate valve for hot water only on selected models

Front load - people are used to seeing front load washers in Laundromats, many brands are now available for home use.

- ◆ Can be stacked with a dryer on top to conserve space.
- ◆ Spins clothes faster than a top-load, extracting more water. This saves energy (and money), because it allows you to dry a load of clothes in a shorter amount of time.
- ◆ Uses less water, which lowers utility bills.
- ◆ May require special detergent - model dependent
- ◆ Initial cost is approximately 30% more than top load
- ◆ Dryer and heater facility available.
- ◆ Temperature of hot water can be set as per the requirement.
- ◆ Additional facility to add fabric conditioner like blue, comfort etc., is available.
- ◆ Water gets drained out if the door gets opened.

12.18 Washing Machine Problems and remedies:

Washing machine problems are of various types. However, there are certain common washing machine problems which many people have to face. If the problem is a different one, it is necessary to call the repairer, because diagnosing washing machine problems is not an easy task. Washing machine troubleshooting is no child's play. Let's see the different problems with washing machines and how we can deal with them.

The Washing Machine doesn't Spin: This problem can occur if we stuff too many clothes at one time. Remove some clothes out and then try the spin cycle again with a less number of clothes. The other reasons can be broken lid switch and the tab on the lid, broken or loose belt or control problem. If we are good at home repair, we can remove the switch or belt and replace them if needed, otherwise we would need to call an expert.

Washing Machine doesn't Drain: This problem may occur if the water pump is clogged, the belt is loose or the drainage hose is kinked. We can replace the belt or call an appliance repair person to deal with this problem.

The Washing Machine doesn't fill with water: We might face this problem if the inlet hoses are clogged, fault in the timer, and the lid switch or the water level switch which is located in the control panel with a clear tube attached to it. With the VOM on Rx1(Volt-ohm-meter set on resistance mode), examine the three terminals and all the optional pairings to see whether you are getting a 0 reading on one and infinity reading on the others.

Washing Machine doesn't Run: Recheck if the washing machine is plugged in (receiving electrical power). If it is plugged in and still does not work, then check the outlet with the VOM for the voltage and the power cord (if it is damaged). If all the devices are fine, then the lid switch or timer may have a problem. Call the appliance repair person and replace the parts if necessary.

Leakage in washing machine : The leakage might take place due to damaged hoses or loose connections. Check the water pump in case of a leakage.

The Washing Machine doesn't Agitate: Check the lid switch, belt, timer or bad transmission (spin solenoid). There is a possibility that any cloth must have got wrapped around the agitator resulting in this problem.

The Washing Machine Makes Noise: This problem might occur due to unbalanced/heavy load. Do not stuff too many clothes in the machine. Remove some of the clothes and try again. If the problem does not get solved, then there might be a bad transmission or the agitator might be broken. Call the home appliances repair person to get it repaired.

QUESTIONS

Part - A

Choose the Correct Answer

(1 Mark)

1. The type of Vacuum cleaner used to clean stairs and under furniture is
A) cylinder type B) upright type C) Wet and dry type D) Any one
2. Pick the odd one out
A) Standard B) HEPA/S-class C) Lifetime D) Wet and dry
3. Agitator wash technique is used in _____ type of washing machine
A) semi-automatic B) fully automatic C) top loading D) front loading
4. Discharging the detergent particles trapped in the washed fabric is called as
A) wash cycle B) rinse cycle C) spin cycle D) drain cycle
5. The number of tub(s) in semi-automatic washing machine is
A) 1 B) 2 C) either 1 or 2 D) 3

Part-B

Answer in one or two words

(1 mark)

1. Name any two types of Vacuum cleaner.
2. What is the need of vacuum filters in Vacuum cleaner?
3. What are the two types of fully automatic washing machine?
4. What kind of wash technique is used in semi-automatic washing machine?
5. Name the type of drive motor is used in washing machine?
6. Normally the tubs of washing machine are coated with zinc. Why?

Part - C

Answer the following questions briefly

(4 Marks)

1. On what principle the vacuum cleaner works? Write the main components of standard vacuum cleaner.
2. Write the features usually found on vacuum cleaners.
3. State the uses of different types of vacuum cleaner.
4. What are the advantages and disadvantages of semi-automatic washing machine?
5. Compare top loading and front loading washing machine.
6. Brief the three working cycle in washing machine.

Part - D

Answer the following questions in two page level

(20 Marks)

1. Explain briefly the working and uses of i) upright vacuum cleaner and ii) cylinder vacuum cleaner.
2. Explain briefly the construction and working of top loading washing machine. Also compare top loading and front loading washing machines.
3. Explain briefly the construction and working of semi - automatic washing machine

13. ELECTRIC FAN AND ELECTRIC HAIR DRIER

13.1 Function:

A ceiling fan is a device suspended from the ceiling of a room, which employs hub-mounted rotating paddles to circulate air.

13.2 Terminology: The terminology mentioned in B.I.S. No. 555-1979, B.I.S. 1189-1969 and 21312-193 is reproduced here;

- i) **Ceiling/Table Type fan:** A propeller bladed fan having two or more blades, directly driven by an electric motor, and intended for use with free inlet and outlet. It may be a ceiling or a table mounted fan for wall or ceiling mounting.
- ii) **Blade Sweep:** The diameter of the circle traced out by the extreme tips of the fan blades.
- iii) **Size of Fan:** The blade sweep in millimeters.
- iv) **Rating:** The statement of the operating characteristics assigned to the fan by the manufacturer when tested in accordance with B.I.S.
- v) **Rated Voltage range:** The voltage range assigned to the fan by the manufacturer expressed by its upper and lower limits and marked on it.
- vi) **Rated Speed:** The rotational speed specified by the manufacturer at which the fan develops the specified output at the rated frequency and rated voltage.
- vii) **Service Value:** The air delivery in m³/min divided by the electrical power input to the fan in Watts at the voltage and frequency specified for the test. In the event of the fan comprising an oscillating mechanism, the electrical input in Watts is measured with the fan under normal full speed conditions that is with oscillating mechanism in action, whereas the air delivery is determined with the oscillating mechanism out of action.

13.3 Construction of Ceiling fan: The parts of the ceiling fan are shown in Fig.13.1 and 13.2. The key components are the following;

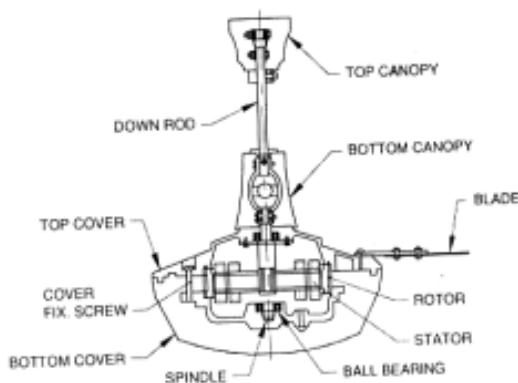


Fig.13.1 - Internal Parts of ceiling fan

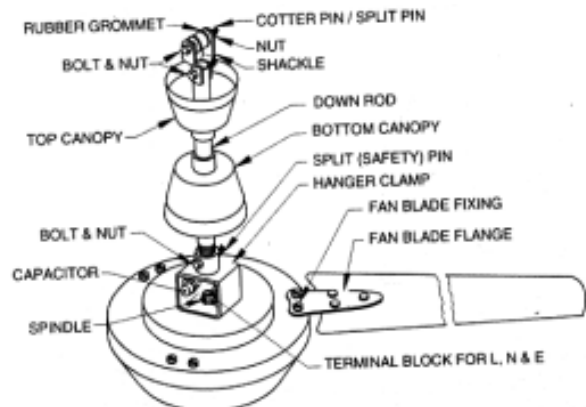


Fig.13.2 - External Parts of ceiling fan

1. Electric motor: Single phase capacitor start and run induction motor, rated at 230 V \pm 10 % at a frequency of 50 Hz, is normally used in ceiling fan. This motor has two parts namely stator and rotor. The stator, made of laminated silicon steel, employs two windings called as starting and running windings placed 90 degree electrical apart. The starting torque depends on sine of

angle between starting winding and running winding current. So Capacitor is used produce required phase shift between these current and hence to produce high starting torque and will be connected in series with starting winding. Normally in ceiling fan, an electrolytic capacitor of $2.5 \text{ mF} \pm 5\%$ will be used. The capacitor and starting winding will be in circuit during running also and hence improve the power factor. So this motor will also called as permanent capacitor induction motor. Rotor employs 1-phase squirrel cage winding.

2. Blades: The blades are made of sheet steel or aluminum sheets. Aluminum blades are lighter than steel sheet plates and also improve the efficiency of the fan. The ceiling fans normally have 3 or 4 angular blades. The four blade fan gives more air circulation as compared to three blade fans. The blades are 120° mechanically apart and may be curved at an angle of 10° .

3. Blade flanges: Alternatively called as blade irons, blade arms or blade holders. These are metal arms which connect the blades to the motor.

4. Canopy/Switch Cup: There are two canopies top and bottom, made of metal cylinder, placed along suspension rod. Top canopy is mounted such that it covers the hook, nut, and bolt. Bottom canopy is mounted below and in the centre of the fan's motor. This is used to conceal and protect various components, which can include wires, capacitors and switches. On fans that require oiling, the bottom canopy often conceals the oil reservoir which lubricates the bearings.

5. Ball bearing: Friction free and noise free movements of rotating parts are ensured by providing ball bearing between rotating and stationary parts. The ceiling fan may have single or double ball bearings. The bearings made of high quality steel are regularly greased with superior quality for its long life and noise free operation.

6. Suspension rod/Down rod:

It is made of rigid galvanized steel pipe of appropriate length and diameter. This metal pipe is used to suspend the fan from the ceiling. One end of the pipe is bolted or screwed at the place specially made on the motor body to receive the suspension rod. The other end of the suspension rod is attached to two plates, to form a "U" shaped joint, with the help of a nut and bolt (with additional lock nut). The "V" shaped end of the rod is further attached with the ceiling hook with the help of bolt and nut with additional lock nut and split pin to eliminate chances of disconnection at any stage.

7. Speed regulator: It is used to control the speed of the fan. The speed of the fan can be varied by changing the applied voltage. The most common method to vary the applied voltage is i) by tapped field resistors and ii) by tapped series inductors. Nowadays thyristor based electronic type regulators mostly used compared to above mentioned electric types.

The electronic fan regulator is fault-free, has long life and more efficient as compared to electrical fan regulators. The schematic diagram of a fan with resistance type regulator is shown in Fig.13.3

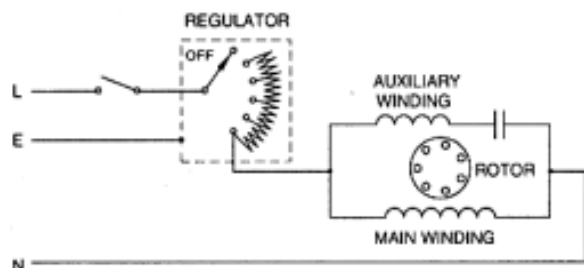


Fig.13.3 - Resistance type Fan regulator

13.4 Working of ceiling fan:

The working of fan is that they do not actually reduce the temperature of the room but due to the circulation and wind motion they result in surface cooling and give a breezy feeling. Electricity is used to empower the fan motors and due to the scientific design of fan blades we get the breeze, a man made phenomenon, similar to wind creation. The fan blades create a draught and the warmer air goes up. When that air is pushed down with a force, we get better air circulation. There is set parameters that need to be taken into consideration before you install the ceiling fan, care should be taken that it is not too close to the ceiling otherwise the draft will not be proper and should be at a safer distance from the reach of the people in the house.

Technical data for ceiling fan:

No. of Blades	Size of fan (mm)	Speed (rpm)	Power consumption (Watts)	Air delivery (m ³ /h)	Area covered (m ²)
3	900	400	60	145	8.5
	1050	380	65	195	10.0
	1200	330	65	220	14.0
	1400	290	70	270	18.0
4	1200	330	65	220	14.0

13.5 Table Fan :

A propeller bladed fan having two or more blades is directly driven by an electric motor. It may be a bracket mounted wall table fan, kitchen fan or a portable table fan. Four blades table fans are also available to obtain more air delivery.

Parts of Table fan : The parts of the ceiling fan are shown in Fig.13.4 and 13.5. The key components are the following;

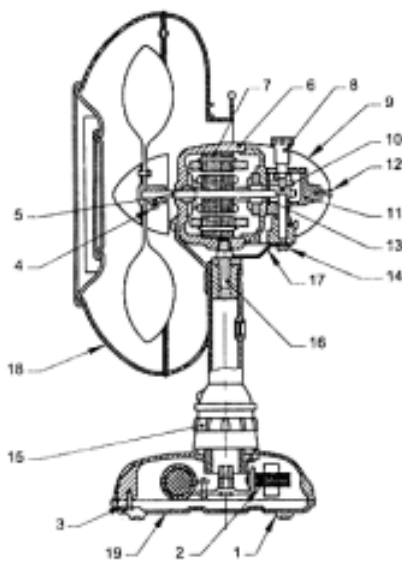


Fig.13.4 - Internal parts of table fan

1. Rubber Feet
2. Regulator Choke
3. Capacitor
4. Blade Bush Fixing Screw
5. Spindle
6. Front Cover
7. Stator
8. Oscillator Knob
9. Back Cover
10. Vertical Spindle
11. Gear Box
12. Back Cover Fixing Screw
13. Bush Bearing
14. Link Fixing Screw
15. Switch
16. Pivot Pin
17. Crank Lever
18. Wire Guard
19. Bottom Cover

Enclosure: The place where the fan motor is mounted may be totally enclosed type or ventilated type. The enclosure material is generally cast iron.

Body and stand: The body of the table fan is usually made of die cast iron or aluminum alloy. The body is fitted or mounted to the heavy base stand, made of die cast iron or aluminum.

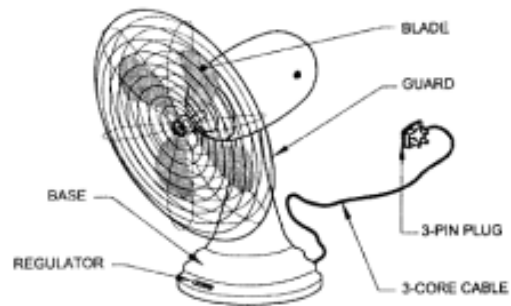


Fig.13.5 - External parts of table fan

Motor: The table fan motor is mostly of a single phase capacitor start and run or rarely shaded pole type motor. The operating voltage of the motor will be $230\text{ V} \pm 10\%$ at a frequency of 50 Hz. This motor has two parts namely stator and rotor. The stator, made of laminated silicon steel, employs two windings called as starting and running windings placed 90 degree electrical apart. The windings are placed in slots of laminated iron core. The starting torque depends on sine of angle between starting winding and running winding current. So Capacitor is used produce required phase shift between these current and hence to produce high starting torque and will be connected in series with starting winding. Normally in table fan, an electrolytic capacitor of 1.5 mF. Rotor employs 1-phase squirrel cage winding.

Blades: The blades, 3 or 4 in number, are fabricated from Aluminum sheet for light weight. Modern table fans have molded blades of plastic material. The blades are fully balanced to ensure proper and smooth air delivery. The speed of the blade varies from 100 to 400 rpm. The speed of the fan is limited to less than 1000 rpm. The blade assembly is fitted to the rotor shaft with a grub screw.

Guard: The guard is provided for adequate protection against personal injury. The front and rear of the fan guards are made out of wire mesh which covers the blade. It prevents the external objects coming in contact with the blade thus preventing an accident. The front guard is normally detachable and rear one will be permanently fixed to the body of the fan. The diameter of the guard wire is normally not less than 1.6 mm and not more than 10 mm.

Bearing: Most of the fan motors use phosphor bronze sleeve bearings mounted in the bell housings and use felt wick to supply oil to a small hole drilled through the bearing wall. The felt wick receives oil from a hole in the bell housing. Most of the fan motors use an integral ball bearing to locate the rotor. It is held in place by spring clips in the bell housing and is self-aligned.

Mounting: It means attaching the fan system (motor and blades) to its base. The mounting may be rigid (change of direction is by turning the entire fan body) or semi-rigid (the direction of draught can be altered without changing the direction of the base).

Oscillating mechanism: The oscillating unit mechanism consists of a worm gear or a motor shaft that engages a gear on a short jack with the gear on the vertical shaft. A disc attached to the lower end of the vertical shaft rotates at a very slow speed and by means of a strong crank lever attached to the disk at one end and the motor at the other end, the fan is caused to oscillate. This principle is employed in most oscillating units built into the gear mechanism with

a compression stud device. This design permits the fan to be used either as a stationary or an oscillating model.

Supply cord: A 3 core, flexible sheathed conductor of length about 2 m is used which has an earthing conductor along with other two conductors. A cord grip is also inserted at the entrance point of cord into the body.

Fan regulator: It is built within the table fan. There are so many types of regulators i) Resistance wire type ii) Choke or inductor type iii) Capacitor type and iv) electronic type. Generally coiled resistance type regulator is used in table fan.

Working of Table fan: The working of fan is that they do not actually reduce the temperature of the room but due the circulation and wind motion they result in surface cooling and give a breezy feeling. Electricity is used to empower the fan motors and due to the scientific design of fan blades we get the breeze, a man made phenomenon, similar to wind creation. The fan blades create a draught and the warmer air goes in. When that air is pushed away with a force, we get better air circulation.

13.6 Exhaust Fan :

An exhaust fan is a fan which is used to control the interior environment by venting out unwanted odors, particulates, smoke, moisture, and other contaminants which may be present in the air. Exhaust fans can also be integrated into a heating and cooling system. Common locations for exhaust fans include bathrooms and kitchens, and these fans are usually very easy to install, so they can be situated in many other locations as well. The exhaust fans are also called fresh air fans. The main parts such as motor, capacitor, cord are same as that of table fans. The tests are also mostly identical. The typical exhaust fan is shown in Fig.13.6



Fig.13.6 - Exhaust fan

A classic use for an exhaust fan is in an environment like a kitchen or a bathroom. These locations tend to get filled with steam, and steam can promote the development of mold, which is not desirable. An exhaust fan can be used to vent the warm, moist air to the outside, where it can disperse harmlessly. Exhaust fans can also vent cooking odors outside so that they do not linger indoors, and when people cook smoky foods, the fan can help keep the air in and around the kitchen clear.

For temperature control, an exhaust fan can be used in the hot months to push warm air outside, creating negative pressure inside the house. This promotes air flow by drawing in air from the outside, and the outdoor air may be cooler, contributing to cooling in the house. Using an exhaust fan can be an alternative to air conditioning, or a supplement to an air conditioning system.

These fans can also be useful in garages and workshops to ventilate the space. Since these areas can sometimes acquire strong smells and people may work with potentially

dangerous chemicals in them, exhaust fans can be used for comfort and safety. An exhaust fan is especially important when people are working with things like solvents, which are not healthy or safe to inhale. Likewise, it is important to vent fumes from paints, varnishes, and similar types of treatments. The technical data of the fan is mentioned below.

Sl. No	Sweep (mm)	Speed (rpm)	Line current	Power input (Watts)	Air delivery (m ³ /h)
1	230	1350	0.29	45	700
2	300	1400	0.37	82	1900
3	380	1400	0.7	150	3610

Exhaust fans for Kitchen/Bathrooms:

Sl.No	Kitchen/Bathroom size(Length x width x height)	Recommended fan size(mm)
1	2.5 m x 2.5 m x 2.7 m	230
2	3.0 x 3.0 x 3.5	300
3	Area beyond this size	400

13.7 General Fault and Remedy:

Fault	Causes	Remedy
Noise	It is due to worn out bearings and absence of lubricating oil or grease. Humming or induction noise is due to non-uniform air gap owing to the displacement of rotor.	The bearings must be replaced if worn out; otherwise lubricate with proper lubricant. Dismantle and reassemble properly.
Low speed	It is due to defective or leaky capacitor. Low voltage applied.	Replace the capacitor with one of the same value and voltage. Check the voltage and adjust if possible.
Jamming of rotor	It is due to misalignment.	Dismantle and assemble properly after proper lubrication.

Not starting	Low applied voltage Supply failure Open in winding. Condenser open or short. Open in regulator resistor/ switch.	Check the voltage and adjust if possible. Check the supply points at switch, regulator ceiling rose and the terminal of the fan. Check for the continuity of auxillary and main winding. Check the capacitor with a Megger. Check for open or loose contact in the resistor or contacts.
--------------	---	--

HAIR DRYERS

13.8 Function:

We are all very familiar with the daily routine; we wash our hair and then automatically pick up the hairdryer, flip the switch and there is the hot air to dry quickly and let us get on with the day. There are good reasons for people to dry their hair with a hairdryer, going out with wet hair especially in the winter can be bad for our health, and lead to catching colds and chills. A hair dryer also called blow dryer is an electrical device which can be used for styling and drying the hair by speeding up the evaporation of water from the hair's surface.

13.9 Types of Hair Dryer:

- i. Portable type hair dryer
- ii. Saloon (Bonnet) type hair dryer

Both the hair dryers supply hot air to dry the wet hair on the common principle of blowers with a heating element. A Bonnet type hair dryer model is shown in Fig.13.7

13.10 Constructional parts of Hair Dryer:

A hair dryer needs only two parts to generate the blast of hot air that dries the hair:

- a simple motor-driven fan
- a heating element

But in addition to above parts, most basic models will have have two **switches**, one to turn them **on and off** and one to control the **rate of airflow**. Some models have an extra switch, called thermostat switch, used to regulate the **temperature** of the airflow.



Fig.13.7 - Bonnet type hair dryer

The exploded view of Bonnet type Hair dryer is shown in Fig.13.8 below.

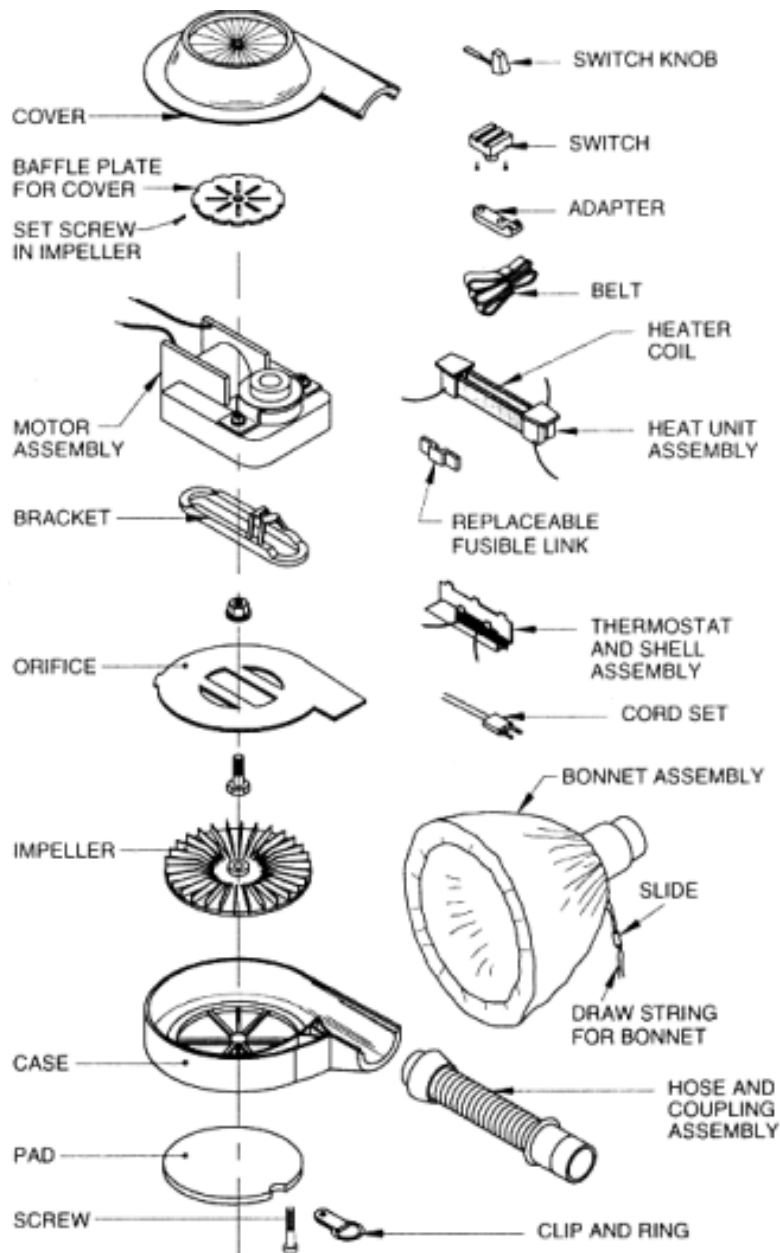


Fig.13.8 - Exploded view of Bonnet type Hair dryer

Motor driven fan: The fan should probably be called a blower; the blade is shaped like the impeller on a vacuum cleaner and mounted in a housing which is connected to the outlet duct. Most motors are of single speed, shaded pole motors particularly in the smaller models. Some of the larger and more elaborate types have multiple speed motors or solid state control units on Universal motor. Early hair dryers put out only about 100 watts of heat. But nowadays hair dryers producing up to about 2,000 watts are available, drying hair considerably faster. The motors will be designed to work on 230 V, 1-phase, 50 Hz AC supply. The small black fan sits atop the motor as shown in Fig 13.9. The motor spins the fan. Air is drawn in through the openings on the side of the hair dryer.

Heating element: The heating element in most hair dryers is a bare, coiled nichrome wire that's wrapped around insulating mica boards as shown in Fig. 13.10

Nichrome wire is an alloy of two metals, nickel and chromium. This alloy is used in heating elements in a number of household products, from curling irons to toasters. Nichrome wire has two features that make it a good producer of heat:

- It's a poor conductor of electricity compared to something like copper wire. This gives the alloy enough resistance to get hot from all of the current flowing into it.
- It doesn't oxidize when heated. Other metals like iron rust pretty quickly at the temperatures used in toasters and hair dryers.

The heating element is of the open wire type, wound on thin mica insulating board. Something seen more often these days are hair dryers with a ceramic coating on the heating element. Coming in a variety of different configurations, ceramic-coated heating elements are said to heat more evenly and effectively. It's also popular to infuse the ceramic with materials such as crushed tourmaline, which is said to support the creation of ions and ideal heat flow.. The majority of hair dryers seem to use a three-section heating element (low, medim and high heating element) controlled by a selector switch.



Fig.13.9 - Hair dryer motor

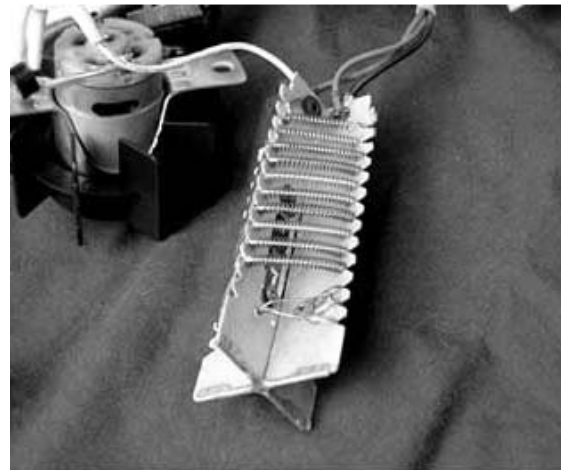


Fig.13.10 - Heating element

Thermostat Switch : Each heating element has special thermostat stip mounted near the air nozzle which senses the temperature of the air flow. The thermostat switch is normally closed and is ipen if the hot air blown outside the heated circuit becomes too hot. A fuse may be found connected in series between the temperature control switch and the heater element.

Selector switch : As the majority of hair dryers seem to use a three-section heating element(low, medim and high heating element) controlled by a selector switch, the switch will have three positions – low, medium and high to select the heating element as per the requirment. The selector switch will always be connected to the motor and then to the heater circuit so that the heating element cannot be turned on unless the motor is running.

The diagram showing electrical connection of motor, selector switch and heating element are shown in Fig. 13.11.

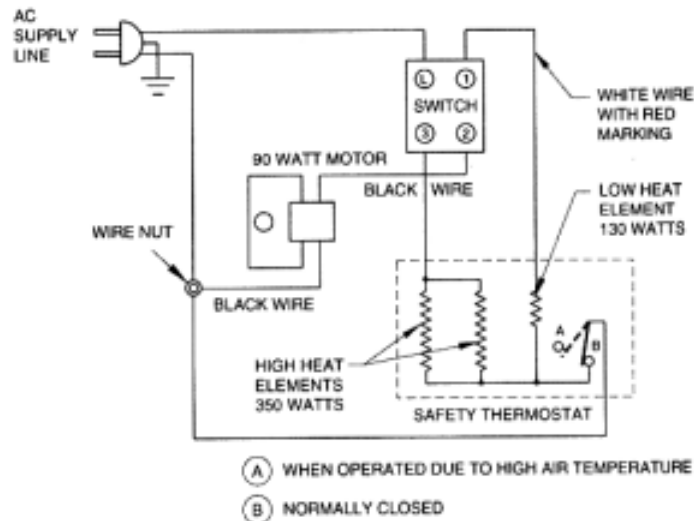


Fig.13.11 - Electrical wiring diagram of Hair dryer

13.11 Working of Hair Dryer :

The working of Hair dryer is much simpler and most of its mechanisms revolve around its fan. When the dryer is switched on, the electricity moves to the windings of the motor of the fan. And here the electrical energy is transformed to kinetic energy as it provides momentum to the fan. The motor and the attached fan both spin. The centrifugal movement of the fan blades draws air in through the small round **air inlets** in the side casing of the hair dryer. These holes are covered by a **safety screen** that prevents other objects (such as strands of your hair) from being sucked in as well.

The airflow thus generated by the fan is forced through the heating element by the shape of the hair dryer casing. These coils are designed to get heated quickly using its electrical resistance and electric current. When the air initially enters the barrel, it is much cooler than the nichrome wire, so heat flows from the wire to the air, which becomes very hot. As the air is pushed along by the fan and convection, it is replaced by cooler air and the cycle is repeated. The hot air streams out the end of the barrel. The hot air thus emitted from a hair dryer increases the temperature of the air surrounding each strand of hair. Since warm air can contain more moisture than air at room temperature, more water can move from your hair into the air.

13.12 Hair Dryer Safety:

The basic idea behind hair dryers is pretty simple, but producing one for mass consumption requires some hard thinking about **safety features**. Here are some other safety features hair dryers commonly have:

- **Safety cut-off switch** - Your scalp can be burned by temperatures more than 140 degrees Fahrenheit (approximately 60 degrees Celsius) To ensure that the air coming out of the barrel never nears this temperature, hair dryers have some type of heat sensor that trips the circuit and shuts off the motor when the temperature rises too much. This hair dryer and many others rely on a simple bimetallic strip as a cut off switch.

- **Bimetallic strip** - Made out of sheets of two metals, both expand when heated but at different rates. When the temperature rises inside the hair dryer, the strip heats up and bends because one metal sheet has grown larger than the other. When it reaches a certain point, it trips a switch that cuts off power to the hair dryer.
- **Thermal fuse** - For further protection against overheating and catching fire, there is often a thermal fuse included in the heating element circuit. This fuse will blow and break the circuit if the temperature and current are excessively high.
- **Insulation** - Without proper insulation, the outside of the hair dryer would become extremely hot to the touch. If you grabbed it by the barrel after using it, it might seriously burn your hand. To prevent this, hair dryers have a **heat shield** of insulating material that lines the plastic barrel.
- **Protective screens** - When air is drawn into the hair dryer as the fan blades turn, other things outside the hair dryer are also pulled toward the air intake. This is why you'll find a wire **screen** covering the air holes on either side of the dryer. After you've used a hair dryer for a while, you'll find a large amount of lint building up on the outside of the screen. If this were to build up inside the hair dryer, it would be scorched by the heating element or might even clog the motor itself. Even with this screen in place, you'll need to periodically pick lint off the screen. Too much lint can block the airflow into the dryer, and the hair dryer will overheat with less air carrying away the heat generated by the nichrome coil or other type of heating element. Newer hair dryers have incorporated some technology from the clothes dryer: a **removable lint screen** that's easier to clean.
- **Front grill** - The end of the barrel of a hair dryer is covered by a grill made out of material that can withstand the heat coming from the dryer. This screen makes it difficult for small children (or other especially inquisitive people) to stick their fingers or other objects down the barrel of the dryer, where they could be burned by contact with the heating element.

13.13 Repairs and Remedies:

Problems	Causes	Test & remedy
Unit gives no heat at any position and/or motor does not operate	<ol style="list-style-type: none"> 1. Blown of fuse 2. Broken wire/loose connection in power cord or in the circuit. 3. Defective switch. 4. Open circuited temperature control/defective thermostat. 5. Open circuited windigs. 6. Short circuited windings. 	<ol style="list-style-type: none"> 1. Replace with proper capacity fuses. 2. Check all wiring connection and cord set for its continuity. Solder the broken wire or change the cable/power cord. 3. Check the switch for proper operation. If faulty, replace the switch. 4. Check the temperature control/thermostat. If faulty, replace it. 5. Solder the joints of the open circuited end of the winding; if not possible, rewind. 6. Rewind.

<p>Unit operates intermittently.</p>	<ol style="list-style-type: none"> 1. Loose connections. 2. Intermittent switch operation (that is it turns one time and refuses to operate the next time) 	<ol style="list-style-type: none"> 1. If you find any such loose connection, reconnect them. Replace the temperature control or thermostat if all connections are tight and intermittent cycling continues. 2. The easiest way to clean the switch is to spray a cleaning liquid into the switch, work the switch several times, then recheck the switch. If it still does not work properly, replace it.
<p>Unit gives no heat at any position, but motor runs.</p>	<ol style="list-style-type: none"> 1. Leads of heater open. 2. Open in heater circuit. 	<ol style="list-style-type: none"> 1. Check the heater leads for proper connections. 2. Check the heater contacts on thermostat for contamination. Check the fuse link and heater element continuity. The thermostat must be in closed position before a continuity check can be made. Allow the hair dryer to cool so that the contact could be closed.
<p>Motor does not run but heater operates.</p>	<ol style="list-style-type: none"> 1. Defective switch. 2. Bent impeller/fan. 3. Defective thermostat. 4. Open circuited windings. 5. Improper connections. 	<ol style="list-style-type: none"> 1. Change the switch. 2. Check the bearing and fan/impeller for bent. Lubricate the bearings, if required, with very small amount of light oil. 3. Check the thermostat for proper cut off. Also check the thermostat or temperature control for continuity. 4. Solder the joints of the open circuited winding. If it is not possible, rewind. 5. See that the connections are proper as per the connection diagram.
<p>Appliance is noisy.</p>	<ol style="list-style-type: none"> 1. Improper mounting 2. Improper fitting of impeller 3. Warped impeller/fan blade 4. Loose parts in blower compartment. 	<ol style="list-style-type: none"> 1. Check the tightness of the motor mounting. 2. Check and fit the impeller on the shaft in proper position. 3. Check for a warped impeller or fan blade. If faulty, replace it. 4. Re-fasten them.

QUESTIONS

Part - A

Choose the Correct Answer

(1 Mark)

1. The diameter of the circle traced out by the extreme tips of the fan blades is called as
A) blade flange B) blade length C) blade sweep D) blade size
2. The type of motor used in electric fan is
A) capacitor start induction motor B) capacitor start and run induction motor
C) shaded pole induction motor D) universal motor
3. The fan used for venting out dusty foul air is called as
A) ceiling fan B) table fan C) pedestal fan D) exhaust fan
4. The protective screen in hair drier is to prevent hair drier from
A) over heating B) sucking outside things
C) electric shock D) sticking on hairs.
5. If there is open circuit in heating element of the hair drier,
A) the unit will not produce heat but motor will run.
B) the unit will produce heat but motor wont run
C) motor wont run and hence no heat is produced
D) motor will run but heating coil will burn

Part - B

Answer the following questions in one or two words

(1 Mark)

1. State the function of electric fan.
2. What type of capacitor is used in electric ceiling and table fan?
3. The four blade fan gives more air circulation as compared to three blade fans. Say TRUE or FALSE.
4. What will happen if there is open or short in capacitor used in electric fan?
5. What are the two basic parts of hair drier?
6. What safety part makes it difficult for other objects down the barrel of the hair dryer?

Part - C

Answer the following questions briefly

(4 Marks)

1. Define the following terminology used in electric fan. i) Blade sweep and ii) Service value
2. Brief the construction of electric motor used in fan.
3. How is the speed of the fan controlled? Draw the schematic diagram of a fan with resistance type regulator.
4. What is exhaust fan? List its any four applications.
5. Explain briefly about the Oscillating mechanism of table fan.
6. State the two features of Nichrome wire has that make it a good producer of heat.
7. Brief the use of Safety cut-off switch in hair drier.
8. Brief the role protective screen and front grill in hair drier.

Part - D

Answer the following questions in one page level

(10 Marks)

1. Explain briefly the following with respect to ceiling fan i) Canopy ii) Suspension rod and iii) speed regulator.
2. Brief the various problems normally arise in electric fan and discuss their remedies.
3. Explain briefly the constructional details Bonnet type hair drier.
4. Discuss briefly the various safety features commonly employed in hair dryers.
5. Brief the various problems normally arise in electric hair drier and discuss their remedies.
6. Explain the construction of ceiling fan / Table fan with neat diagrams
7. Explain the working of ceiling fan / Table fan with neat diagrams

14. CENTRIFUGAL PUMP

14. Introduction

A centrifugal pump is a machine that imparts energy to a fluid. This energy infusion can cause a liquid to flow, rise to a higher level, or both. The centrifugal pump is an extremely simple machine. It is a member of a family known as rotary machines and consists of two basic parts: 1) the rotary element or impeller and 2) the stationary element or casing (volute). The increased popularity of centrifugal pumps is due largely to the development of high speed electric motors, steam turbines, and internal combustion engines. In operation, a centrifugal pump slings liquid out of the impeller via centrifugal force.

14.2 The Constructional Features of Centrifugal Pump

- (i) Bed plate : This is usually made of cast iron or welded steel of rigid construction. It is bolted to the foundation.
- (ii) Pump casing (volute) : This is usually made of close-grained cast iron. It is split in the vertical plane at the centre of the casing and the two halves held together by a number of bolts and one or two locating pins and a gasket to make it leak proof. For easy removal of the impeller an end cover is usually provided.
- (iii) Impeller : This is usually of close-grained cast iron or cast steel, hydraulically and dynamically balanced to avoid end-thrust and vibration. To eliminate possibility of rusting, impellers are frequently made of gun-metal. Two types of impellers are widely used. They are closed type and open type as shown in Fig.1.
- (iv) Spindle : This is made of steel. Where corrosive liquids are to be handled, stainless steel spindles may be fitted. The portion of the spindle which works inside the casing is usually fitted with a renewable gun-metal sleeve so that it may be replaced when it gets worn out and the spindle may have a long life.
- (v) Stuffing box and gland packing : This serves two purposes: on the suction side it prevents leakage of air and on the delivery side leakage of water under pressure. The packing material consists of rings of soft, cotton, woven yarn, impregnated with graphite and tallow. The gland bolts should only be tightened lightly, just enough to prevent leakage. Water is admitted into the stuffing box either through an internal hole or by an external connection. It is very important that a centrifugal pump should not be allowed to run dry, as it may result in seizure of the spindle.

Modern pumps are often fitted with mechanical leak-proof seals. Basically it consists of a mirror-finished, hard, flat surface against which a spring loaded ring of a softer material like carbon, rubber, leather, or plastic is used. This combination permits free rotation without allowing any leakage. The seal is kept cool by the liquid pumped.

- (vi) Bearings : These may be of the ball, roller or sleeve type. Grease lubricators are provided on the bearing housing. Fig. 2 and 3 clearly illustrates the parts of a pump.

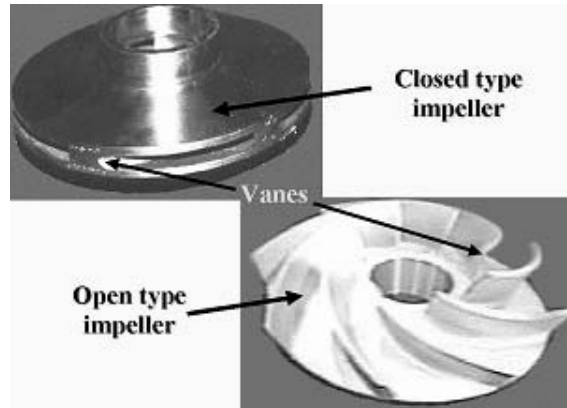


Fig.14.1 - Impeller types

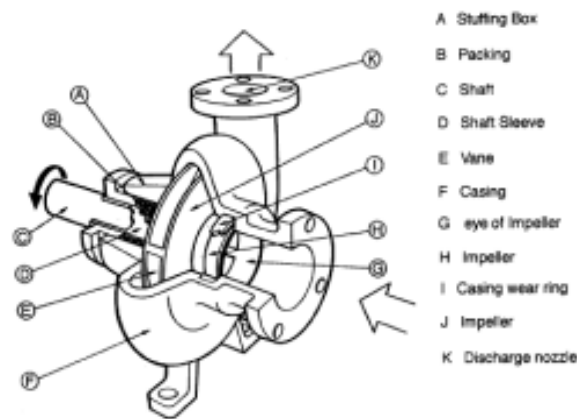


Fig.14.2 - Parts of a Pump



Fig.14.3 - Cut section of pump casing

14.3 Working of centrifugal pump

The pump is filled with liquid and the impeller is rotated. The heart of any centrifugal pump is the impeller. Fluid enters the impeller through the “eye” as shown in Fig 14.4 and is “centrifuged” (hence the name) to the impeller periphery, with assistance from the impeller vanes. Impeller designs can be open or closed, with one or many vanes, or no vanes at all (a disc or a set of discs-or a variation of a disc-like surface-sloping toward the higher radius).

The centrifugal pump converts energy of a prime mover (a electric motor or turbine) first into velocity or kinetic energy and then into pressure energy of a fluid that is being pumped. The energy changes occur due to two main parts of the pump, the impeller and the volute or casing. The impeller is the rotating part that converts driver energy into the kinetic energy. The volute or casing is the stationary part that converts the kinetic energy into pressure energy.

The energy created by the centrifugal force is *kinetic energy*. The amount of energy given to the liquid is proportional to the *velocity* at the edge or vane tip of the impeller. The faster the impeller rotates or the bigger the impeller is, then the higher will be the velocity of the liquid at the vane tip and greater will be the energy imparted to the liquid. This kinetic energy of a liquid coming out of an impeller is controlled by creating a *resistance* to the flow. The first resistance is created by the pump volute (casing) that catches the liquid and slows it down. In the discharge nozzle, the liquid further decelerates and its velocity is converted to pressure according to Bernoulli's principle. Therefore, the **head** (*pressure in terms of height of liquid*) developed is approximately equal to the velocity energy at the periphery of the impeller.

14.4 Friction Head

As water moves through the pipe its contact with the pipe wall creates friction. As flow (or velocity) increases, friction also increases. Thus the greater energy is required to push it through. Friction or Friction Head is defined as the equivalent head in feet of liquid necessary to overcome the friction caused by flow through a pipe and its associated fittings. The suction head allowable for a pump is very limited and therefore every foot saved is precious. By providing a larger diameter for the pipe the velocity of flow and therefore friction losses are reduced.

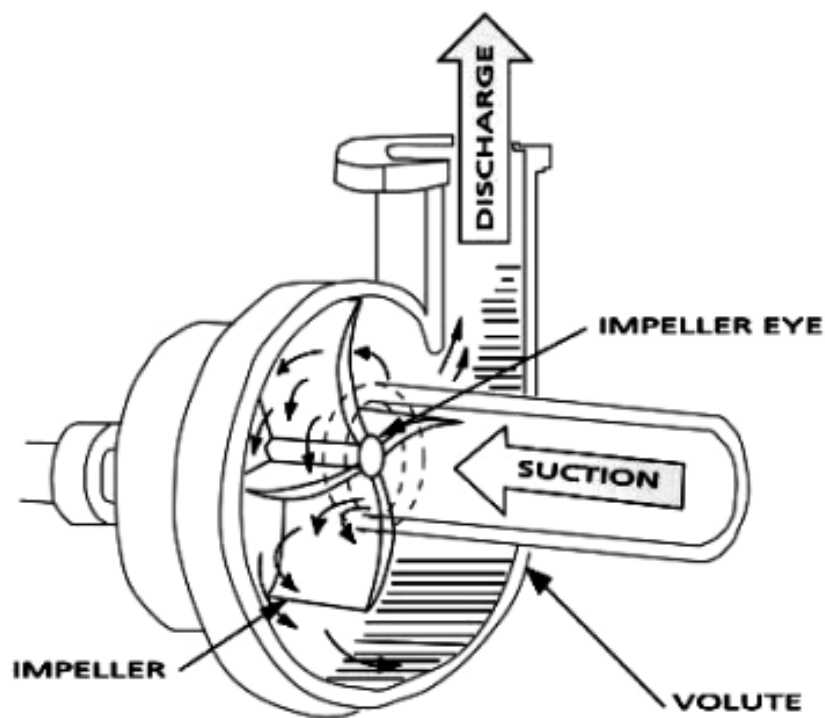


Fig.14.4 centrifugal Pump action

Suction Lift

Suction conditions are some of the most important factors affecting centrifugal pump operation. A pump cannot pull or “suck” a liquid up its suction pipe because liquids do not have tensile strength. When a pump creates suction, it is simply reducing local pressure by creating a partial vacuum (Sucks out the air above the liquid). Atmospheric or some other external pressure acting on the surface of the liquid pushes the liquid up the suction pipe into the pump.

In feet, the head is given as: Head = PSI X 2.31 / Specific Gravity

For Water it is: Head = 14.7 X 2.31 / 1.0 = 34 ft.

34 feet is the theoretical maximum suction lift for any pump pumping cold water. No pump can attain a suction lift of 34 ft; however, well designed ones can reach 25 ft quite easily. From the equation above, it is clear that specific gravity can have a major effect on suction lift. The suction lift of a centrifugal pump also varies inversely with pump capacity.

14.6 Static suction head:

Static suction head is the vertical height through which the water has to be lifted from the well or underground tank i.e., the height from the water level to the centre line of the pump. The head is always the vertical height and not along the pipe line. It is from the water level to the pump centre and not from the foot valve or the bottom of the well.

14.7 Static delivery head:

This is the vertical height through which the water is lifted. It is from the centre line of the pump upto the level where the water is discharged into the over head tank. The head is always the vertical height and not along the pipe line.

The friction head as much as possible in relation to the total head should be reduce from all causes. This can be achieved by reducing the velocity or providing a larger diameter of pipe.

14.8 A centrifugal pump should never be allowed to run dry.

The pump gland packings are water lubricated and water cooled. Water also acts as a barrier between the atmosphere and the interior of the pump. If the pump is allowed to run dry, excessive heat will be generated resulting in possible seizure of the spindle and will result in burn out of the motor. No pump should, therefore, be allowed to run dry or started unless it is fully primed.

14.9 Priming of pump

Priming means filling the pump and the suction pipe completely with water so that all air is expelled from the system. Not only should the pump be fully primed when it is started, but it should remain fully primed through out the period it is running.

14.10 Self-priming pump

The self priming centrifugal pump is designed to lift water from some level below the pump suction without having to fill the suction piping with liquid. It accomplishes this by creating a partial vacuum at the pump suction which removes the air from the suction line. The pump then releases the entrapped air through it's discharge while retaining the initial fill of water in the pump

case. This air / water separation is what makes the self primer different. Although the self priming centrifugal pump will remove all air from its suction piping, it will not “dry prime”. The pump case must be filled with water before starting. The foot valve, used at the bottom end of suction pipe should withhold water in the suction pipe. There should be no leakage of water from the foot valve. Also, there must be a way for the air to escape the discharge of the pump. If the discharge piping is not open to atmosphere, an air release valve must be installed.

14.11 Automatic operation of a pump

A pumping installation can be easily wired for automatic control by installing a float switch on the High Level storage tank. This ensures that the pump is started when the water level falls down to, say, half the tank and automatically stopped when the tank becomes full. The only thing to be ensured is that the pump is kept fully primed always. Therefore, the suction system and the foot valve should be well maintained so that water is retained by the valve for long periods and the pipe joints are air tight so that no air may leak in. One condition which should be always ensured is that water level in the well should not fall below the foot valve. This can be taken care of by providing a low-level float switch in the well, arranged to cut off the power supply to the motor, if the water level falls unduly in the well. Quite often pumps are unattended for long periods. Where pumps are not working continuously and are likely to be off for long periods, it is best to ensure priming of the pump before the pump is started.

14.12 Troubles Shooting

Troubles with centrifugal pumps and remedies

Maintaining case histories and statistical records of all installations will be very much useful in trouble shooting. While investigating troubles, proceed from the most probable reason to the least possible.

(a) Failure to start : Gland packing may be too tight. Check whether spindle is freely rotating. Motor is not getting electric supply. Check voltage at the motor terminals and the mains. Connections may not be tight (if starters used check relevant connections like star delta starters). Check for loose connections.

(b) Failure to deliver water: Check if pump is properly primed and delivery valve/s is open. Check suction valve if provided. Check if water level in the well is above the foot valve. Check speed, it may be too low. Foot valve or suction line may be leaking. Foot valve strainer or impeller may have become clogged up. If installation is new, the pump installed may not be the right one. Note the suction and delivery gauge readings and check against the Maker’s characteristic curves and installation data. If the pump is erected after overhaul one of the pipe joints may have been improperly connected or wrongly connected.

(c) Rate of pumping is low : Check all points in item (b) above. The valves must be fully open. Foot valve and impellers may have become clogged and neck rings badly worn out probably due to working for a long time. Pump to be overhauled. Check for leaks on the delivery line.

(d) Pump stops delivering after running for sometime: Leaks in the suction side especially joints. Check if sufficient water is in the well. Check motor control circuits and protection circuits.

(e) Pump vibrates badly : Check alignment, bed bolts not tightened properly, impellers not properly balanced. Check for worn out bearings or bent shaft. Bearings may have excessive clearances; shaft couplings are not properly assembled. Impeller may have been choked.

(f) Pump is noisy in operation : Check all points under item (e) above. The impeller may be touching the casing. Air-bubbles may be passing through the pump. Cavitation effect due to bad design.

(g) Pump motor getting overloaded and becoming hot : Voltage at the motor terminals may be too low. Pump delivering water at reduced delivery head. Single phasing in case of 3-phase motor. Check voltages on all three phases. In case of 3-phase motor, used after overhauling, coil connections may not have been proper. Incorrect size of impeller. Excessively tight stuffing box, seized spindle or insufficient seepage.

(h) Excessive corrosion : This may be due to presence of certain chemicals in the water. Stainless steel may be used for certain parts of the pump.

(i) Excessive scoring of impeller parts. : Due to passage of sand or gritty matter. Due to cavitation efforts, especially if at the tips.

(j) Cracked pipe flanges: Due to excessive strain on the flanges caused by improper method of supporting the pipes, improper alignment of joint surfaces, and use of excessive force to bring the flange holes to align when bolting. Due to water – hammer action. Due to excessive vibration.

QUESTIONS

Part - A

Choose the Correct Answer

(1 Mark)

- The part due to which water gets the centrifugal force is called
A) Casing or volute B) stuffing box C) spindle D) impeller
- The purpose of the gland packing rope is to
A) Prevent impeller from coming out B) Prevent leakage of water from the casing near the spindle
C) Provide lubrication to the spindle D) Prevent air leakage from the casing.
- Impeller is generally made of
A) Galvanised steel B) Bronze C) Cast iron or gun metal D) Copper alloy

4. Velocity imparted by the impeller to the water is converted to pressure by the
 - A) Casing or volute
 - B) Stuffing box
 - C) Spindle
 - D) Gland box
5. Maximum suction lift that is possible for water is
 - A) 24 ft
 - B) 28 ft
 - C) 34 ft
 - D) 38 ft
6. Packing ropes in a centrifugal motor is water lubricated and water cooled, so
 - A) only wet packing ropes to be used
 - B) water should be leaking near the packing ropes
 - C) motor should never run dry
 - D) lubricating compound should be used for packing ropes.
7. To ensure that the pump remains always primed it is necessary to have
 - A) valve on delivery side should be open always
 - B) suction side should not have any valve
 - C) foot valve that is not leaking
 - D) gland packing should not be leaking.
8. When using automatic operation of the pump, it should be ensured that
 - A) water level is always above the foot valve
 - B) delivery valve is closed at the time of starting
 - C) suction side is not less than 20 ft.
 - D) water level is always below the foot value.
9. Pressure developed by the centrifugal pump is always specified in
 - A) feet
 - B) feet/min
 - C) litres
 - D) kg/cm²
10. Static suction head and static delivery head is always
 - A) feet
 - B) Kg/cm²
 - C) vertical height
 - D) distance measured along the pipes

Part - B

Answer the following questions in one or two words

(1 Mark)

1. Name the part on which impeller is mounted?
2. What is packing rope made of?
3. Which type of bearings is normally used in domestic pumps?
4. In the centrifugal pump, kinetic energy of fluid is converted to which type of energy?
5. Which parts of motor take part in this energy conversion?
6. A pump cannot pull or suck a liquid up because liquids do not have this strength. What is it?
7. A centrifugal should not be started without doing this. What is that?

Part - C

Answer the following questions briefly

(4 Marks)

1. What is the function of gland packing in a pump?
2. What is an impeller? State its types.
3. State the functions of casing or volute.
4. What is Friction head?
5. Define suction head.
6. Define Delivery head.
7. What is priming of the pump?

Part - D

Answer the following questions in one page level

(10 Marks)

1. explain the constructional details of a centrifugal pump.
2. Explain the working of a centrifugal pump with necessary diagrams.
3. Mention any four commonly occurring troubles in a centrifugal pump and ways to rectify it.

15. MAINTENANCE OF ROTATING MACHINES

15.1 Introduction

The key to minimizing motor problems is scheduled routine inspection and maintenance. The frequency of routine maintenance varies widely between applications. Including the motors in the maintenance schedule for the driven machine or general plant equipment is usually sufficient. A motor may require additional or more frequent attention if a breakdown would cause health or safety problems, severe loss of production, damage to expensive equipment or other serious losses.

Written records indicating date, items inspected, service performed and motor condition are important to an effective routine maintenance program. From such records, specific problems in each application can be identified and solved routinely to avoid breakdowns and production losses. The routine inspection and servicing can generally be done without disconnecting or disassembling the motor.

All types of rotating machinery require regular inspections so to maintain their integrity and availability. The maintenance becomes simple and effective with the use of minor and major inspections categorized into levels representing the life of the product, be it running hours or years of installation. For each level, a defined number of inspection points are determined which can be undertaken within a specified time. The aim is not to lengthen the outages but to provide an effective solution that can be accommodated within planned maintenance periods and provide expert support when returning the equipment back on line.

15.2 Types of Maintenance

Breakdown maintenance : Breakdown maintenance is basically the “run it till it breaks” type of maintenance mode. No actions or efforts are taken to maintain the equipment till its design life is reached. Advantages are, Low cost, Less staff. Disadvantages are: Increased cost due to unplanned downtime of equipment. Increased labor cost, especially if overtime is needed. Cost involved in repair or replacement of equipment. Possible secondary equipment or process, damage from equipment failure, inefficient use of staff.

Preventive maintenance: It is a daily maintenance procedure (cleaning, inspection, oiling and re-tightening), designed to retain the healthy condition of equipment and prevent failure through the prevention of deterioration, periodic inspection or equipment condition diagnosis by measuring deterioration. Just like human life is extended by preventive medicine, the equipment service life can be prolonged by doing preventive maintenance.

It is further divided into Periodic maintenance and Predictive maintenance.

a) Periodic maintenance (Time based maintenance - TBM) : Time based maintenance consists of periodically (at pre-determined intervals) inspecting, servicing and cleaning equipment and replacing parts to prevent sudden failure and process problems.

b) Predictive maintenance: This is a method in which the service life of important part is predicted based on inspection or diagnosis, (for Ex., by testing the condition of the lubricating oil in a vehicle for its actual condition and lubrication properties in a good testing centre instead of

changing every 5000km), This type of maintenance allows us to use the parts/equipment to the limit of their service life. Compared to periodic maintenance, predictive maintenance is condition based maintenance. Basically, predictive maintenance differs from preventive maintenance by basing maintenance need on the actual condition of the machine rather than on some preset schedule. It is possible to schedule maintenance activities to minimize or delete overtime cost. Also, inventory and order parts can be minimized as required, well ahead of time to support the downstream maintenance needs. It helps to optimize the operation of the equipment, saving energy cost and increasing plant reliability.

Corrective maintenance : It improves equipment and its components so that preventive maintenance can be carried out reliably. Equipment with design weakness must be redesigned to improve reliability or improving maintainability

Maintenance prevention : It indicates the design of a new equipment. Weakness of current machines are sufficiently studied (on site information leading to failure prevention, easier maintenance and prevents of defects, safety and ease of manufacturing) and are incorporated before commissioning a new equipment.

15.3 Preventive maintenance schedule

Preventive maintenance is the maintenance which has to be carried out to the equipment, in a preplanned way before serious breakdown takes place. If a record is maintained for certain measurable parameters like body and bearing temperature, insulation resistance, earth resistance etc., it is possible from the scrutiny of this record to predict the occurrence of future trouble and necessary steps can be taken to prevent the occurrence of serious breakdown.

The interval of doing various maintenance operations, depend upon the type of equipment, ambient condition and other factors. It is difficult to laydown hard and fast rules covering all conditions but for average normal industrial duty under-mentioned time schedule will serve as guide. This can be modified to suit other conditions at site.

Daily maintenance : 1) Examine visually earth connections and motor leads. 2) Check motor windings for overheating. 3) Examine control equipment. 4) Check condition of bearings. 6) Add oil, if necessary, 7) Check end play.

Weekly maintenance : 1) Check belt tension. In the case of sleeve bearing machines the air gap between-rotor and stator should be checked. 2) Blow out dirt from the windings of protected type motors situated in dusty locations. 3) Examine starting equipment for burnt contacts where motor is started and stopped frequently. 4) Examine oil in the case of oil ring lubricated bearings for contamination by dust, grit etc. (this can be roughly judged from the colour of the oil). 5) Check the intensity of vibrations during operation of the motor. 6) Clean filters where provided.

Monthly maintenance : 1) Overhaul controllers. 2) Inspect and clean oil circuit breakers. 3) Renew oil in high speed bearings in damp and dusty locations. 4) Wipe brush holders and check bedding of brushes of slip-ring motors. 5) Check that the connections of temperature detectors and space heaters, where provided, are proper and these are in working order.

Half-Yearly Maintenance : 1) Clean windings of motors subjected to corrosive or other elements, also bake and varnish them, if necessary. 2) In the case of slip-ring motors, check slip-rings for grooving or unusual wear. 3) Check grease in ball and roller bearings and make it up where necessary taking care to avoid overfilling. 4) Drain all oil bearings, wash with petrol to which a few drops of oil have been added, flush with lubricating oil and refill with clean oil.

Annual Maintenance

1. Check all high speed bearings and renew, if necessary.
2. Blow out all motor windings thoroughly with clean dry air. Make sure that the pressure is not so high as to damage the insulation.
3. Clean and varnish dirty and oily windings.
4. Overhaul motors which have been subjected to severe operating conditions.
5. Renew switch and fuse contacts if damaged.
6. Check oil for its dielectric strength.
7. Renew oil in starters subjected to damp or corrosive elements.
8. Check insulation resistance to earth and between phases of motor windings, control gear and wiring.
9. Check resistance of earth connections.
10. Check air gaps.
11. Check condition of all fasteners.

The normal value of air gap: it's measurement

Air gap depends upon the size of the motor. A.C. motors have much smaller air gap than D.C. motors. The gap between the rotor and the stator varies from a 0.35 mm to few mm (few mils to 50 mils) or more depending upon the size of the motor. The air gap is measured by inserting long steel feeler-gauge leaves in the air gap between the rotor and the stator. The maximum thickness of the feeler that can be passed is the value of air gap. At least four readings should be taken at different points around the periphery of the motor, i.e. top, bottom, front and back. When any new motor is installed, air gap readings should be clearly recorded in the motor history sheet and filed for future reference. Later on, if the top air gap is found to be much higher than at the sides and the bottom, it clearly shows that the bearings have worn down. Belt-driven machines usually show greater wear on one side than on the other. Several manufactures of motors provide suitable holes in the end covers so that a feeler-gauge may be inserted for measuring the air gap.

15.4 Removing a Bearing

It is important to take great care during the bearing removal to ensure that the bearing, shaft and housing are not damaged. Bearing removal is best accomplished by using a bearing puller for standard outer and inner rings. When removing bearings that have a backing shoulder that extends beyond the cone large rib, a puller that pulls through the rollers should be used. It is recommended to use a three-arm puller rather than a two-arm one as the three-arm puller is more stable. Whenever possible, apply the withdrawal force to the ring with the interference fit. The inner rings of cylindrical roller bearings generally have a tight interference fit, which requires high forces to remove. In such cases, using a puller can cause damage to the shaft and ring,

and can be hazardous to the operator. Using heating equipment facilitates easy and quick removal while reducing the risk of damage to the ring and shaft.

Removing bearings using hydraulic techniques.

Hydraulic pressure is another available method to remove bearings. Pullers or wedges may be used to remove the bearing after the hydraulic pressure has expanded the race. Hot oil or heat may be used along with the pullers or wedges. When the puller has been placed on the bearing and pressure is applied, the bearing race should expand and be easily removed. For own safety, do not strike the bearing directly with any hard object such as a hammer or chisel. Apply force to the part of bearing that has highest fit.



Fig.15.1 - Bearing removal using puller

15.5 Fitting Bearings

Ball and roller bearings are manufactured to very close tolerances and are therefore easily damaged by careless handling and fitting. Hence, utmost care is required in fitting up and maintaining them. The bearing housing and the shaft end over which the bearing fits, should be thoroughly cleaned so that the bearing fits neatly and just push tight. Bearings should never be driven tight, because it will distort the race and damage the bearing. Grease, of the best quality, should be, lightly packed into the bearing itself and the bearing then fitted into position in its housing. The inner race may be pressed on to the shaft but if this is not practicable; it can be fitted into position by lightly tapping with a wooden mallet over a tube passing over the shaft end. Care must be taken to ensure that the bearing is square on the shaft.

15.6 Maintenance of Bearings

Keep the bearings dirt-free, moisture free, and lubricated. Water will rust the bearings and dirt will destroy the smoothness of the super finish on the bearing races, increasing friction. Clean the bearings when they become dirty or noisy with the most environmentally friendly cleaner that is suitable for dissolving oil, grease, and removing dirt from the steel, plastic and rubber surfaces. To obtain a long service life of bearings, they must be relubricated periodically. Used grease together with wear debris and any contamination should be removed from the contact zone and be replaced by fresh grease. The frequency of relubrication is of decisive importance for long service life and depends on many factors including

- the magnitude of the load,
- the frequency of oscillation,
- the sealing arrangement and
- the type of load,
- the operating temperature
- the angle of oscillation,
- other environmental conditions.

Long service lives are possible when the following relubrication conditions are observed:

- the same grease is used as originally applied;
- the relubrication should be carried out at the operating temperature;
- the bearing should be relubricated before a long interruption in operation occurs.

Frequency of Lubricating Oil Analysis

Lubrication system	Inspection interval	
	Normal operating conditions	Severe operating conditions
Disk lubrication method	One year	6 months
Oil bath or splash lubrication	6 months	3 months
Circulating lubrication	9 months	1 to 3 months

Checking the alignment of a directly coupled motor

The alignment is easily checked by laying the edge of a steel foot rule against the sides of the two flanges and checking whether the steel edge sits fully against the sides of the two flanges or if there is any gap. Any variation in levels is corrected by suitable steel shims. The alignment should not only be correct in the vertical and horizontal planes but the axis of both the shafts should be in the same line and not make an angle with each other. This can be checked by measuring the gap between the flanges faces at four points, i.e. top, bottom, front and back. Fig-2 shows the two types of misalignment, in an exaggerated way for clarity.

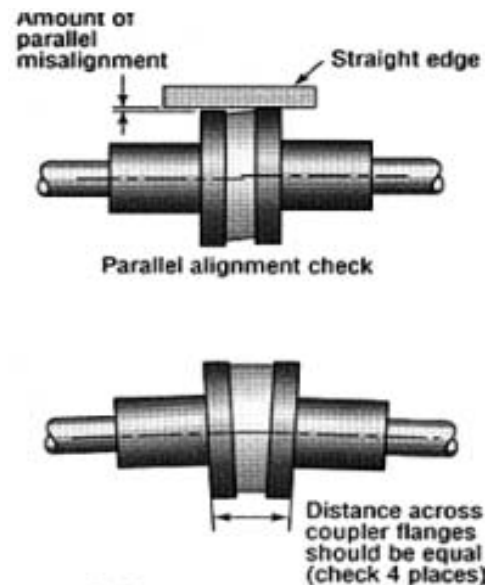


Fig.15.2 - Misalignment - 2 types

15.7 Balancing

However carefully constructed, a motor armature shaft will have some unequal distribution of weights in its body, which results in its axis of gravity being slightly off centre and out of line with the axis of rotation. Therefore, when the armature rotates, centrifugal forces are created which set upon the bearings. This causes the whole machine to vibrate. Its intensity varies at different speeds and becomes maximum at some critical speeds due to the effects of resonance. The amount of unbalance determines the degree of vibration. For smooth running and long useful life, the rotating parts should be properly balanced. Balancing consists of re-adjusting the distribution of masses in the body in such a way as to bring the axis of gravity to coincide with the axis of rotation. This is done by placing a counter-weight on or removing some weight from some part of the armature in such a way that the unbalanced centrifugal force is cancelled out. To do this it is necessary to determine precisely where the counter-weight is to be placed or removed, and also the weight of material to be removed. Balancing consists of two types. They are Static Balancing and Dynamic balancing.

Static balancing : In static balancing, the rotor is supported on a pair of perfectly horizontal knife edges. If the armature is in perfect balance, the rotor should rest in any position. If, on the other hand, the rotor is not well-balanced and has uneven distribution of weight, the rotor will

turn round and come to rest with the heaviest portion in the lowest position, and the hollower portion will occupy the top position. Small counter-weights shall be fixed on the top part (lesser weight portion) of the armature. The greater the distance from the centre, the smaller should be the weight. An alternative method is to remove some weight from the heavier portion of the rotor by drilling a hole in the end supports or by chipping, as found convenient. The operation should be repeated until the rotor can come to rest equally well in all positions.

Dynamic balancing : This means carrying out the balancing operation when the rotor is actually rotating. Although a body may appear well-balanced by the static test, any little unbalance becomes prominent at high speeds. Special dynamic balancing machines are available by means of which the exact amount of weight to be added (or removed) as well as its location can be accurately determined. The rotor is mounted on a pair of pedestals carrying spring suspension systems, and driven at any speed required. The machine consists of a visual indicator which amplifies the vibration felt on the bearings due to the unbalance of the rotor. A suitable device is also incorporated by means of which a counter-weight of the right value may be temporarily inserted at the right place on the same shaft to which the armature is coupled, until all oscillations are neutralized. After the weight of the counter-weight, the correct radial length and angle of location are determined, the armature is removed and a permanent counter-weight fixed at the correct point, and a test conducted once again to confirm the correction. When balanced in this way, the armature will run very smoothly at all speeds without any vibration. Care must be taken in fixing the counter-weights properly so that they do not fly off at high speeds.

For balancing large armatures which may not be possible to be moved easily, special electronic equipment are available, so that the balancing operation may be performed 'on site' on the machine itself.

15.8 Preventive Maintenance of Electrical Equipments

Maintenance usually consists of regularly scheduled inspection, greasing, oiling and possibly minor repairs. Most causes of failure of alternator and electrical equipment are poor maintenance procedure, which involves flushing out oil wells, greases cups, and checking of rotor and slip rings for concentricity. Shop overhaul is essential for all electrical equipment at least once in five years.

To avoid major repairs:

- ❖ Check all connections and wiring.
- ❖ Make sure that moisture does not penetrate the winding insulation. Presence of moisture lowers insulation resistance. Test insulation using a megger.
- ❖ Remove the moisture by heating the windings using hot bulbs or applying low voltage to winding to develop heat and dry. Do not allow the temperature to rise above 90°C, which may damage the insulation.
- ❖ Dust in the machine should be removed by using a blower with low pressure of air.
- ❖ Remove grease and oil using carbon tetrachloride (CTC). While using CTC the area should be well ventilated to avoid fumes and toxics.

- ❖ Check voltage of alternator at terminals and panel boards. If the generator is operating satisfactory, load the alternator gradually for 2 to 4 hours to evaporate remaining moisture. While testing it should be within 5% of rated voltage and 3 phases load should be well balanced.
- ❖ Always open bus bar switches and then stop the alternator. Be sure that all the switches are in 'off' condition before working on the equipment.
- ❖ Reversed coil connections of pole windings can be detected by passing Direct current through winding and testing poles by soft iron strip or bar. If polarity is correct soft iron piece will be held tightly. If not the bar will not be held in its place. Great care is to be taken if D.C. exciter is to be removed for check up of main alternator itself.
- ❖ Sliprings on rotor are made of Bronze or non ferrous metal which are polished by fine sand paper or polishing stone. If the rings are worn-out excessively, the rotor should be removed and the rings be reduced down in diameter on the lathe machine. Insulation resistance is then measured by Megger, ring to ring and ring to shaft. Accumulation of carbon or metal dust in the vicinity of rings should be cleaned thoroughly.
- ❖ Before starting the motor or alternator – clean the motor/alternator surrounding area to make sure that there is sufficient open space for air movement, also be sure of dry windings.
- ❖ Make sure from name plate data that type, design of the motor for that work and load.
- ❖ Check that operating speed reaches in minimum time, if not there may be overload or centrifugal switch or starting coil is defective. If motor is running in improper direction check for the proper connections as per manufacturing data.
- ❖ Check for unusual noises. Poor alignment of end plates, which causes the rotor core to strike against the stator core. Bearing may be defective. If motor becomes overloaded and begins smoking, there may be over loading or defective starting winding or switch. Clean the commutator or reset brushes or adjust spring tension of brushes, if there is sparking at brushes.

15.9 General procedure for overhaul of motors :

- 1) Disconnect the supply cables at the terminal box of the motor, uncouple the motor from the driven machine, unfasten the foundation bolts or nuts and remove the motor to the maintenance shop.
- 2) Remove the external fan covers, canopies, heat exchanger or other fitments.
- 3) Dismantle the motor without using the excessive force, and without the hammer blows. Care should be taken to see that the rotor does not touch the stator winding overhangs. If possible do not open cartridge bearing housings.
- 4) Clean dust, dirt, oil and grit from every part of the machine with the help of blower, compressed air hose, bellows or brushes and then wash with petrol to which a few drops of lubricating oil have been added. The windings may be cleaned by means of carbon tetra-chloride. Care being taken to avoid its application to slip rings and brushes.
- 5) Carry out visual inspection of all parts for wear or damage, replace worn out or damaged parts.

- 6) Measure insulation resistance. If low dry out the windings, until correct values are obtained. If necessary re-enamel or re-varnish all the winding and internal parts except the stator bore and rotor iron. Dry rotor and stator winding thoroughly.
- 7) Reassemble motor without using any excessive force. Make sure that machine leads are on the correct terminals and everything is well tightened.
- 8) Check the concentricity of the air gap through the air gap holes. Ensure that rotor can rotate freely. Any difficulty in rotating the rotor or unusual noise should be taken as sign of interference between stationary and moving parts. Investigate this and eliminate the cause of the trouble.
- 9) Check insulation resistance again.
- 10) Recommission the motor.

15.10 Maintenance of A.C. Motors

A.C. Motors are run for extremely long periods without repairs. If the bearings are properly lubricated and air passages are kept clear, then most of the A.C. Motors do not have failure problems, as the motors have no commutators which cause motor failure. There are few motors which have commutators, such as universal motor, repulsion motors in single phase system.

Squirrel Cage Induction Motor : Overheating and shock may damage the squirrel cage rotor, which may cause fractures in bars in the slots and end ring connections and joint in the rotor cage. Satisfactory operation of motor is difficult with fractured rotor cage and end rings. In large motors the bars are bolted or wedged in slots and can be tightened readily if these become loose. Loose coils can be detected with the help of growler. If it is not possible to disassemble the motor, connect an ammeter in series with one phase and apply 25% of full voltage to one of the stator phase winding and turn the rotor slowly by hand. If the ammeter reading varies in excess of 3%, it can be assumed that there is loose bar in rotor.

Wound Rotor Motors : Working principle is same as 3 phase sq. cage rotor induction motor, having better torque and speed. Wound rotor may have low speed with starter resistance cut off from rotor circuit. If there are no openings in control and starter circuit, the rotor coils should be tested for continuity. Growler test may reveal open or short circuit in the coils. There is also possibility of brushes sticking in the holder or brushes may not have sufficient tension (sparking and over heating at contact area).

Growler is an electromagnet having 110 V /240 V supply voltage and suitably shaped for testing armature/ rotor, by placing the growler core (or rotary growler for testing stator winding) and slowly moving on/in it shorted or broken coils can be detected by noting the change in the humming noise of the growler.

Synchronous Motors : Construction is similar to d.c. generator(except commutator) or auto synchronous motor. Centrifugal force has considerable effect on the leads, which should be securely fastened to the shaft. Change in air gap caused by misalignment of frame or wear in the bearings causes big troubles in the synchronous motors. Other points of care and maintenance are similar to other ac motors.

Single Phase Motors: Centrifugal (CF) switch is one of the main cause of troubles in single phase motors. If the springs of centrifugal switch become weak, the C.F. switch will operate before reaching the full speed, which will cause motor to run at sub normal speed and stop. If the switch sticks closed, the starting winding will remain in the circuit, overheat and damage the starting winding. Commutator motors need almost same type of care and maintenance as in dc motors.

15.11 The causes of low insulation resistance of electrical equipment and ways to rectify them

Low insulation is almost invariably the result of absorption of moisture by the insulated windings, since most of the insulating materials employed are hygroscopic (moisture absorbent). To maintain high insulation values, the following precautions should be taken.

- a) Don't allow dust to accumulate on the motor windings. Dust and dirt absorb and retain moisture, leading to leakage of electricity which may finally result in a breakdown. Clean up the motor windings periodically by blowing compressed air, and wipe the outer surface of windings clean and bright by a dry cloth.
- b) Oil and grease are equally bad; since they are much more difficult to remove once they reach the windings and soak them, as a result of worn-out bearings, over-oiling, leaky gaskets of oil level indicators, etc. Oil and grease not only make the equipment messy but are good places for dust to settle in. This must be avoided.
- c) Protect large motors, rotary convertors, etc. against inclement weather when they are idle, by covering them over with a large tarpaulin and keeping the windings warm by connecting up a few electric radiators or infra red lamps all round. Change over the working and stand-by sets regularly to maintain both in good condition.
- d) In spite of all precautions, sometimes motors do get submerged under water. Retrieve them as soon as possible and blow the wet surfaces with compressed air. Dry out by putting them in a hot chamber.

Dampness in windings can be removed by drying out the equipment thoroughly in a hot chamber or in an impregnating plant, the inside of which is maintained at a temperature of 80°C to 100°C. The heating should be carried out for several hours and in the case of large equipment for one or two days, if required until all the moisture has been driven out. This can be ascertained by recording the insulation resistance readings at regular intervals of one or two hours.

Table 15.1 Winding insulation resistance at different temperatures

Winding voltage	Megaohms resistance at				
	20°C	30°C	40°	50°C	60°C
66 KV and above	1200	600	300	150	75
22 KV to 44 KV	1000	500	250	125	65
6.6 KV to 19KV	800	400	200	100	50
Below 6.6 KV	400	200	100	50	25

The insulation resistance should be measured when motor is hot, whenever possible. The reason is that even a damp winding will give a comparatively higher reading if taken when cold and therefore such a reading is unreliable. The reading will be lower when taken 'hot'. As already stated, the resistance of any insulation falls as the temperature rises, which is directly opposite to that of any metallic conductor the resistance of which rises as the temperature rises. When recording insulation resistance of a winding, it is therefore very important to note down the temperature of the winding by a thermometer. It is desirable to have a standard method of recording the readings, say at 75°C. All megger readings may then be converted to this common base, by multiplying or dividing them by the appropriate conversion factor.

Measurement of insulation resistance of a motor

Insulation resistance should preferably be measured by an equipment which applies a voltage above the normal voltage. A 400 volts equipment may be tested by a 1,000 volts megger if possible. If such a megger is not available, a 500 volts megger could be used. One test is usually sufficient, i.e. between line and earth with all the equipment in circuit. If it is very low, find out the reason whether it is in the motor or the starter, or in the field circuit or the armature. In a 3-phase motor, if both ends of all the 3-phase windings have been brought out to the terminal box, the insulation of each phase winding to earth and also between phase windings should be taken. In taking line-to-line insulation resistance of starters, it should be remembered that, contactor coils, voltmeter, etc. may have been connected across the lines and therefore, they should be removed/disconnected before taking readings. When testing slip ring motors, the rotor insulation should also be taken. The rotor voltage may be as high as 400 to 600 volts. Sometimes the rotor circuit is intentionally earthed at the rotor starter. This should be kept in mind while doing the tests. Many motors are fitted with condensers either for power factor correction or for purposes of starting. When megger tests are taken in such cases, special precautions should be taken. Otherwise the readings may be misleading.

The main types of 'Morganite' brushes used are described below:

H. M. Class: These are natural graphite brushes, used for rotary convertors and alternator slip rings

I. M. Class: These are also natural graphite brushes of comparatively high contact resistance and therefore they suppress sparking. They are usually used in small fractional h.p. motors, and automobiles generators.

C. M. Class: They are made up of carbon and metals like copper in the form of extremely fine powder. These are especially suitable for low voltage heavy current machines like electroplating generators.

E. G. Class: These are called electro-graphite class. They are suitable for all types of industrial motors and generators.

The normal brush tension

The brush tension should be roughly 0.140 to 0.175 kg per sq. cm (2 to 2½ lb. per sq. in.) for ordinary brushes and about 0.246 kg per sq. cm (3½ lb. per sq. in.) for brushes with metal content. Brush tension is measured by a spring balance.

Care in fitting a new carbon brush

The surface of each carbon brush should be carefully ground to correspond to the curvature of the commutator so that the brush makes contact over its full area, so as to be able to carry the full load current. The correct curvature is ensured by drawing a **strip of very smooth sand paper** under the brush and over the commutator or the slip ring. It should be moved to and fro in close contact with the commutator surface. Simultaneously, pressure should be applied on the brushes. The sand paper should preferably cut the carbons only in the forward direction. Sharp edges of the carbons should then be slightly beveled and all carbon dust blown off. **Emery paper must never be used** for grinding carbon brushes as the emery particles may get embedded in the carbon. If this happens, the commutator surface would obviously be ruined.

15.12 The usual defects in brushes and brush gear areas are as follows:

- | | | |
|-------|--|--|
| (i) | Incorrect grade of brush and improper brush tension | |
| (ii) | Improper bedding of brushes. | |
| (iii) | Carbon brush chattering due to: | |
| | (a) Excessive clearance between carbon brush and its holder. | Fit up correct size brush. It should be good slide fit in its holder. Clearance should not be more than 2 mils. |
| | (b) Excessive overhang of brush | Normally, the clearance between the bottom edge of brush holder and the commutator should only be 1.5mm (1/16 In.) or less. The brush holders should be properly reset and secured in position so that the clearance is correct. |
| (iv) | Carbon brush too tight in holder | This is generally due to accumulation of carbon dust. All carbon brushes should be removed entirely out of the holders once a month at least. Accumulated carbon dust should be blown off by compressed air and both the brush and the holder cleaned thoroughly with dry cloth. Carbon brushes must slide freely inside the holder. |
| (v) | Brush tail connections | They should be secured properly. If the tail connection improperly secured strands are damaged, new brushes should be fitted. |
| (vi) | Excessive wear of brush | Normally, carbon brushes should last for several months. Excessive wear is definite sign of poor commutation, it requires detailed investigation. If the worn-out brush is not replaced quickly, the metallic pig tail connection imbedded inside the carbon brush may damage the commutator badly. |

Table 15.2 Trouble Shooting chart - D.C. Machines

S. No	Symptom	Possible Cause of Trouble	Remedy
1	Failure to build up of voltage (dc generator)	<p>Faulty Voltmeter, check output voltage with separate voltmeter. Open field resistor.</p> <p>Open field circuit. Check coils for open circuit or loose connections.</p> <p>Absence of residual magnetism in self excited generator.</p> <p>Dirty commutator, high mica, brushes not having good contact with commutator.</p> <p>New brushes seated but not contacting sufficient area.</p> <p>Armature shorted internally to ground.</p>	<p>Replace voltmeter. Replace or repair resistor</p> <p>Replace defective coils, tighten or solder loose connections.</p> <p>Flash the field. Connect battery to field with correct polarity Allow current momentarily and cut off. Field will resume residual magnetism.</p> <p>Under cut mica, clean or dress commutator.</p> <p>Replace or reseat brushes, free if binding in holders.</p> <p>Brush bedding and reseat brushes. Remove, test and repair or replace.</p>
2	Output voltage too low (dc generator)	<p>Grounded or shorted field coil. Shorted filtering capacitor; open filter choke, open ammeter shunt, broken brush shunts.</p> <p>Prime mover speed low (check speed)</p> <p>Brushes not seated properly. Commutator dirty, or film too heavy</p>	<p>Test, repair or replace.</p> <p>Adjust governor on prime mover. Reseat brushes.</p> <p>Clean commutator with fine sand paper. Replace brushes with proper grade set or Use complete new set of brushes</p> <p>Adjust properly. Connect properly</p>

<p>3 Output voltage too high (dc generator)</p>	<p>Field resistor not properly adjusted Reversed field coil or armature coil connections Prime mover speed too high. Faulty voltage regulator Overloaded.</p>	<p>Adjust governing device. Adjust or replace faulty voltage regulator. Check speed.</p>
<p>4 Armature too hot</p>	<p>Check meter readings against name plate rating. Excessive brush pressure. Belt too tight, or coupling not aligned. End plate out of position. Bent shaft. Armature coil shorted Armature striking poles. Check bearing for play and air gap for proper spacing, shaft for bent condition. Poor ventilation.Clogged air passages. Repeated changes in load in bulk. Observe meter readings.</p>	<p>Reduce load. Adjust pressure or replace tension springs. Adjust belt. Align units properly. Assemble correctly. Straighten on lathe or replace. Repair or replace armature. Replace bearings. Straighten shaft or replace armature. Clean clogged air passages. Provide clearance. For circulation of air around equipment. Clean equipment. Faulty design. Generator should be used in steady load application.</p>
<p>5 Field coils hot</p>	<p>Shorted or grounded coils. Poor ventilation. Overload (compound generator) check meter readings against name plate data.</p>	<p>Replace shorted coils; grounded coils may be repaired. Clean clogged air passages. Provide clearance for air circulation around equipment. Reduce load.</p>

6	Sparking at brushes	<p>Brushes off neutral plane.</p> <p>Brushes not seated properly. Dirty brushes and commutator High mica, Rough or eccentric commutator. Open in armature</p> <p>Grounded, open or shorted field winding</p> <p>Lack of brush pressure; brushes sticking in holder</p> <p>Selective commutation caused by unequal brush tension</p> <p>Open circuit in field Rheostat</p>	<p>Set rigging so that brushes are in proper plane.</p> <p>Reset.</p> <p>Clean.</p> <p>Under cut; Resurface commutator, Repair/replace armature.</p> <p>Repair or replace defective coil/coils.</p> <p>Replace tension springs, clean holders.</p> <p>Adjust spring tension, Replace brushes or shunts.</p> <p>Replace or repair Rheostat.</p>
---	---------------------	---	--

15.13 Common defects in commutators

A good commutator will have a smooth polished surface dark chocolate brown in colour.

- i) Commutator surface pitted and rough : This is mostly the result of excessive sparking, The surface may be smoothed with fine sand paper on a curved block and polished with crocus cloth. Never use emery paper or cloth, as the fine emery particles may get to the commutator.
 - ii) Ridge formation on commutator : Ridges are formed if the brush holders on different rocker arms are not properly staggered. Another possible cause in the case of large armatures is, if the armature does not oscillate to the extent of about 1/8 in. axially on either side of the core centre. The ridges may be filed off by a smooth file, or by means of specially shaped commutator grinding stones, whose curvature corresponds to that of the commutator. If it is a generator, remove all carbon brushes and run it up, If it is a motor, run up to full speed, switch off the supply and quickly apply the grinding stone to the surface of the commutator, while the armature is slowing down. Quite a lot of metal can be removed this way if the work is properly done by a trained hand. After grinding is over, finish off with smooth sand paper and crocus cloth.
- If the commutator surface is very bad, then the armature should be put on a lathe and skimmed, after checking the trueness of the shaft by a dial indicator. The cuts should be the lightest possible. The final cut should preferably be by a diamond tipped tool with fine cuts of the order of .0005 to .001 in. with a feed of 500 threads per in. Finally, mica should be undercut as usual.

- iii) Commutator is eccentric or having high bars and low bars : Excessive blackening or burning of a few commutator bars only shows presence of high or low bars, mostly caused by the bolts holding the commutator V-ring becoming slack. The bolts should be tightened up fully, after the commutator has run in for some time and is fully warm. After this is done, the commutator should be skimmed on a lathe. If only a portion of the commutator surface shows signs of severe sparking, it is a clear sign of the commutator being eccentric. No commutator should show a variation of more than 0.0254mm (.001 in.) when checked by a dial indicator, when mounted on its bearings on the motor.
- iv) Protecting mica between bars : All commutators should have the mica between the bars undercut to a depth of 0.8mm (1/32 in.) approximately. After grinding or turning of the commutator, undercutting should invariably be done either manually or by a machine. It is essential to round off the sharp edges of the bars, and remove all bars, as also to thoroughly clean the mica slots and blow off all dust. Undercutting should also be done periodically.
- v) Flashover of commutator: Flashover across commutator is frequently caused by heavy accumulation of dust over the commutator surface or due to low-resistance leakage path either in the commutator risers, or between the bars or at the sides of the commutator. Such a flashover constitutes a dead short across the mains and before the fault is isolated by the circuit-breaker, the heat generated may be so much as to cause appreciable damage to the commutator surface and the surrounding area. The dust and dirt should be cleaned by washing and brushing with petrol; all carbonized matter, foreign particles and deposits should be scraped off. The inter-segment gaps should be kept clean; otherwise they may get filled up with dirt or carbon causing sparking and further carbonization.

15.14 De-greasing:

By 'de-greasing' is meant the removal of dirty grease and oily matter by means of a chemical solvent, very similar in action to the well-known 'dry cleaning' of clothes. The solvent for de-greasing is marketed under various trade names but they are all one form or the other of stabilized tri-chloro-ethylene, which has a boiling point of 188°F. The de-greasing plant consists of a tank half-filled with the de-greasing liquid, which is kept boiling by means of steam pipes immersed in the liquid. The part to be degreased, whether a dirty armature or a field coil, is lowered into the tank and supported above the liquid level in a suitable manner and the lid put on. The dirty windings will then be exposed to the hot vapours, which will condense over the windings and very soon all the dirty grease runs out and drops down into the tank. Within a very short time of 10 to 15 minutes, the windings can be removed out in a perfectly clean condition. It emerges dry, requiring no further drying. The solvent and vapour have no adverse effect on the insulation of the windings. The process is very quick and also economical in operation. Suitable provision is made to prevent the vapour escaping out into the atmosphere; it is condensed and recovered and could be used over and over again. All the muck and dirt which collect at the bottom of the

tank, are easily removed periodically from a drain outlet.

15.15 Applying insulating varnish on electrical coils and windings

Coils are made up of insulated wires, the covering consisting of cotton, silk or enamel, etc. which are hygroscopic, i.e. they tend to absorb and retain moisture. The insulation provided between layers as well as the space between turns in the interior of the coil contain considerable amount of air spaces. If the coils are not covered by any insulating varnish, moisture tends to accumulate in these air spaces. Not only will it lower the insulation strength, but may ultimately lead to a breakdown and internal short-circuit. By covering the coils with a good insulating varnish, the air spaces are filled up and sealed; the windings get protected against ingress of moisture and thereby they will give much better service. This process of coating electrical windings with insulating varnish is called 'impregnation'. The right method of doing this is described below:

- a) Before any insulating varnish is applied, it is absolutely necessary to ensure that the surfaces of all coils, armatures etc. are perfectly clean and free of all dust, oily matter and moisture.
- b) Apply varnish with a brush, using air drying varnish. This is a quick method of protecting the surface of coils during periodical overhauls, if they have already been properly impregnated previously. The varnish is then allowed to dry up.
- c) Hot dip: This is quite suitable for small coils and windings. The winding is heated up to a temperature of 80^oto 100^oC in an electrically heated chamber for one to two hours. The hot winding is then completely immersed in insulating varnish (baking type) and kept immersed for one to two hours, until all air bubbles cease. The coil is then removed and after draining out all surplus varnish, the coil is again put back in the heating chamber and kept there at a temperature of 100^o to 110^oC for at least four hours, by which time the varnish will get completely baked and hard set.
- d) For best results, and also for large windings and armatures, transformer coils, etc. vacuum impregnation should be used.

15.16 The Process of vacuum impregnation

Vacuum impregnation is very similar to the hot dip method but is much more efficient. In the hot dip method, one cannot be sure if all the air spaces inside the winding are fully impregnated with the varnish. In vacuum impregnation, all air is first removed out, which ensures that the insulating varnish gets sucked in into the innermost recesses. If the subsequent baking is thorough, there will be no possibility of entry of humid air from outside into the winding.

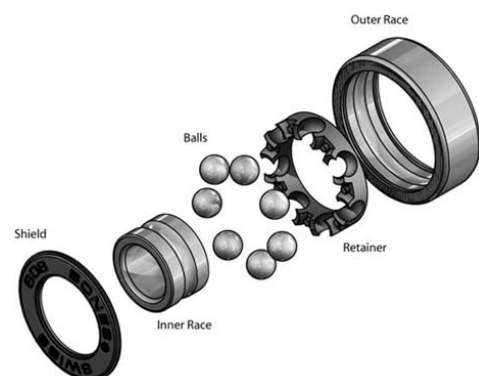


Fig.15.3 - Exploded view of Ball Bearing

QUESTIONS

Part - A

Choose the Correct Answer

(1 Mark)

- The maintenance work carried out on the machine after it has failed to work is called
 - Breakdown maintenance
 - Preventive maintenance
 - Periodic maintenance
 - Predictive maintenance.
- If air gap shows variation in the top, bottom sides, it is due to
 - bent shaft
 - Lamination worn out
 - Worn out bearings
 - Rotor worn out.
- Best method of removing a bearing is by using a
 - Hammer
 - Chisel
 - Caliper
 - Bearing puller
- Withdrawal force, while removing a bearing, should be applied to
 - Outer ring
 - Inner ring
 - Outer side of shaft
 - Bearing cover
- Long service life of bearing depends mainly on
 - Type of load
 - Sealing arrangement
 - Operating temperature
 - Frequency of relubrication
- For proper alignment of motor coupled sets, the axis of both the shafts should be
 - at an angle
 - In the same line
 - Perpendicular
 - at an obtuse angle.
- Main reason for insulation failure in normally operating motor is
 - High temperature
 - Moisture absorption
 - High voltage fluctuations
 - Unbalanced load
- Moisture in the air is prevented from absorption in motor insulation by
 - laminating the windings
 - applying varnish
 - covering with plastic sheets
 - vacuum sealing
- Excessive wear of carbon brushes indicates
 - low spring tension
 - poor commutation
 - high spring tension
 - high speed of operation
- Ridges are formed on commutator, if the different rocker arms are not properly .
 - staggered
 - aligned
 - insulated
 - connected

Part - B

Answer the following questions in one or two words

(1 Mark)

1. Which type of maintenance is called as a daily maintenance procedure?
2. What maintenance procedure is based on inspection or diagnosis?
3. How the air gap is measured in electric motors?
4. Which type of puller is more safe for bearing removal?
5. What type of fit does the cylindrical roller bearings have?
6. What is the inspection interval for Circulating lubrication system under normal operating conditions?
7. To get smooth running and long useful life, the rotating parts are subjected to this. What is it?
8. What is the name of the balancing operation done when the rotor is rotating?
9. What will happen to motor insulation due to presence of moisture?
10. What is the device used to measure Insulation?
11. Absence of which part makes the ac motor almost maintenance free?
12. What is the main trouble maker in single phase motors?
13. Which type of grinding paper should not be used for grinding carbon brushes?
14. What is name given for removal of dirty grease and oily matter by means of a chemical solvent ?
15. Which type of varnish impregnation method gives best results?

Part - C

Answer the following questions briefly

(4 Marks)

1. What are the different types of maintenance practices?
2. What are the drawbacks of Breakdown maintenance?
3. In what intervals preventive maintenance operations are normally carried out?
4. What is a puller? How it is used?
5. What are the precautions to be taken while fitting the bearing?
6. Name the steps to be taken ensure long service life of the bearings.
7. What is Balancing? State its importance.
8. Differentiate between static balancing and dynamic balancing?
9. What are the basic preventive maintenance steps to be taken for uninterrupted operation of motor?
10. What are the routine maintenance steps to be taken for proper operation of squirrel cage induction motor?

Part - D

Answer the following questions in one page level

(10 Marks)

1. What are the necessary actions to be taken during daily maintenance of motors?
2. Explain how predictive maintenance is carried out?
3. Explain the procedure for static balancing and dynamic balancing?
4. Identify the causes for insulation value becoming lower. What are the steps needs to be taken to avoid it?
5. What is degreasing? How it is done?
6. Briefly explain the procedure of applying varnish to the windings?

16. MAINTENANCE OF TRANSFORMERS

16.1 Introduction

The transformer is one of the most reliable items of electrical equipment, requiring relatively little attention; yet often even the minimum of attention is not given, they also sometimes breakdown because of neglect. The programme of inspection and maintenance is governed by the size of the transformer, place of installation, whether indoors or outdoors, if in a substation is it manned or unattended, the operating conditions and so on. The degree of attention required depends greatly upon how heavily or lightly the transformer is loaded. The intervals of inspection are indicated as : hourly, daily, weekly, monthly, 3 monthly and 6 monthly, yearly, two yearly and five yearly. In major installations, using air blast cooling or water cooling a daily check should be made of the ancillary installations like air blowers, water pumps and the connected protective devices, on-load tap changers, etc.

16.2 Action to be taken if the oil temperature rises unduly :

Excessive oil temperature is the result of overloading or inadequate cooling. Switch on a larger unit for operation or put another unit in parallel to share the load or take steps to reduce the load on the transformer. Check whether all the cooling systems are working properly. Excessive temperature reduces life and therefore, if oil temperature rises unduly for any reason the transformer should be put out of service immediately, but the cooling fans, if any, should continue to run until the oil temperature falls to normal.

16.3 Points to be checked if the oil level tends to fall down:

Transformer oil may leak at several points, i.e. oil level gauge, cork packing below the top cover, oil conservator connection, drain cock, gasket, bolts where a cable box is bolted in, and welded joints. Every oil leak should be traced to its source and remedial action taken to stop the leak. If gasket leak cannot be stopped by tightening the bolts, the gaskets should be renewed. The best material for gaskets is cork-rubber sheet of 5 mm thick. The surfaces between which the gasket is provided should be quite flat and smooth, perfectly clean and free from scale, old paint, remains of glue and old gasket, grease or oil. The bolt tightness should be checked periodically. Sometimes slight oil leakage occurs at the welded joints. The exact point of leakage outside the tank can be discovered first by cleaning the surface thoroughly with a grease solvent or petrol or denatured alcohol, and then coating the surface with a thin layer of chalk, cement paste in water or white wash, and allowing it to dry. Leakage of oil is then readily revealed by the dark patch it forms. Formation of a few drops over a period of time is not of any consequence and occurs in most transformers. If it is bad, the cracked or spongy weld may be repaired by welding in a metal patch. Take care to guard against any explosions. If a hole exists in a casting it may be drilled and a tight brass plug driven in. It is no use using shellac as a filler as it shrinks considerably when it dries. After completing the repairs, the oil level should be brought to required level and a careful note made of the oil level for verification at the next inspection.

16.4 Different methods of drying out a transformer :

The main problem in drying out a transformer is not drying the oil- this is quite easily done by passing it twice or thrice through a suitable filter- it is the removal of moisture absorbed by the windings. This is quite a time consuming process in a new transformer to be commissioned for the first time, and may last from a few days for a small transformer to 3 or 4 weeks for a large unit. And throughout this period the temperature has to be maintained between 80° to 85° C irrespective of surrounding air temperature variations. A vital condition to be ensured throughout the period is that the oil temperature never exceeds the limit of 90°C, as it may seriously damage the insulation. Purification of the oil can be done while the transformer is in service on light load.

There are basically two methods of drying out, i.e. with the tank dry or with the tank filled with oil.

(a) With the tank dry, i.e. with the core and windings in position but without oil, the heat required for drying may be produced in two ways :

(i) By blowing in hot air through the transformer tank.

The air is blown into the tank through a suitable opening at the bottom of the tank such as the drain pipe or radiator pipe outlet. An air outlet should be left at the top by removing the explosion vent or manhole cover. The inlet air should be at a temperature not less than 85° nor more than 100°C. Heating elements of 15 KW capacity will be sufficient for a tank capacity of 10 m³ (350 cu.ft.). The outlet air temperature should be not less than 65° to 75° C (140° to 167° F). This method is quite reliable and the drying time with reasonably dry air and ambient temp., is about 4 days for an 11 kV unit and 15 days for a large 220 kV unit. The advantage of this method is that the coil is not subjected to high temperatures for long periods as in other methods. Moisture in the windings is quickly removed because of low humidity of hot air.

(ii) By short circuiting the secondary winding and applying a reduced voltage on the primary, as in the heat run test. The top cover should be kept open for free flow of air. This method is not entirely satisfactory because the temperature distribution in the windings will be uneven due to absence of oil, and is not recommended except for small transformers and when there is no other means available for drying. However, this method may be adopted in conjunction with method (i) above to reduce the burden on the air heaters. The winding temp., by the resistance method should never be permitted to exceed 90° C.

(b) With the tank filled with oil, heat could be produced in three different ways:

i) by short-circuit method as given in (a) (ii) above.

ii) by circulating oil through a suitable purifying plant.

iii) by connecting several immersion type heaters and letting them into the transformer tank.

N.B. Application of vacuum greatly accelerates the drying-out process. Vacuum may be applied directly into the transformer tank by connecting a vacuum pump producing at least 28 in. of vacuum, through a suitable outlet, provided that the tank is specially designed to withstand the full air pressure (15lbs/sq. in.) on the exposed surfaces of the tank. Alternatively vacuum type purifiers should be used.

16.5 Time of drying-out operation

Whatever be the method employed, the drying-out operation should be continued until the transformer oil samples from the top and bottom of the tank show high di-electric strength and the windings high insulation resistance. The actual time required depends upon many factors, such as the condition of the windings, the amount of moisture it has absorbed, the type and size of purifying plant, temperature of the oil which it can maintain etc., and may vary from about a day for a small transformer to as much as a month for a large unit.

An important point to remember is that raising the temperature, will no doubt increase the rate of drying, but simultaneously it also increases the thermal decomposition of the cellulose of the paper insulation, which actually produces water vapour. Heating for longer time at temperatures above 90°C is harmful and should be avoided. It is in this context that drying-out under vacuum is of great value, since it reduces the time required for drying. One test which confirms if the drying-out has been well done is to allow the transformer to cool down and test a sample of the oil after a week or fortnight. If its Breakdown Value (BDV) is high as also the insulation resistance, after making due allowance for the temperature at which the tests are conducted, it is a clear proof that the windings are quite dry.

16.6 The qualities required for good transformer oil :

The specifications for transformer oil are fully covered by IS : 335-1993. For instructions for maintaining the insulating oil IS Code of Practice No. 1866 may be referred.

Briefly, the following characteristics are desired :

- i) Mineral oil grade B should be used.
- ii) It should have a high di-electric strength, i.e. not less than 40 kV in drums and 30 kV in the transformer tank.
- iii) It should contain negligible moisture content. A simple test which shows the presence of moisture is the 'crackle' test. This could be done in two ways: Pour a small quantity of oil sample into a test tube and heat up rapidly under a Bunsen burner. There should be no cracking. Another method, a half inch iron rod heated to dull red heat is dipped into a sample of oil kept in a clean vessel. Crackling shows presence of moisture.
- iv) The oil should be perfectly clear and pale in colour. Cloudiness indicates presence of moisture or impurities like sludge or rust, reddish tinge indicates presence of asphalt, and green colour indicates presence of copper soaps.
- v) Acidity content should be very low, as it will cause precipitation of sludge and corrosion

of metal surfaces. If acidity content becomes excessive in service, the oil should be replaced with new oil.

- vi) 'Flash' point and 'Pour' point should be as per specifications laid down.
- vii) It should be chemically stable, i.e. it should not react to oxygen in the air even at high temperatures.

16.7 Different methods of purifying and drying-out transformer oils :

There are primarily three types of oil purifiers in common use:

- i) Centrifugal purifiers such as the 'De Laval' type.
- ii) Filter pack type such as the 'Streamline' purifiers.
- iii) Filters using activated earth media.

The purpose of oil purification is to remove from it, all contaminants such as water, carbon deposits, dirt, sludge, dissolved moisture and gases. In transformer oils the most important quality to be preserved is the di-electric strength. This is severely affected by the presence of water either in the free state or as dissolved moisture. Transformer oils and the insulating materials used in the transformer windings are hygroscopic, i.e. tend to absorb moisture, which may enter into the transformer tank due to defective breathers, gaskets or by addition of untreated make up oil. Circuit breaker and switch, oils get carbonised on account of the tremendous heat produced in the electric arc before it is interrupted. Dissolved air and excessive heating (due to arcing) cause oxidation of the oil and formation of heavy sludge deposits at the bottom of the tank and on the surface of the windings. It is essential to remove all these impurities at least once in two years by filtering the oil, in order to maintain the equipment in a healthy state.

16.8 Checking out dielectric strength for oil :

Dielectric breakdown strength of transformer oil is one of the most reliable tests for proving the condition of the oil, and therefore good care is essential in conducting the test, since the slightest trace of contamination or presence of moisture brings down the breakdown value very sharply. For example, if finger tips are immersed for a moment or two into an oil cup containing transformer oil which has been tested for a breakdown value of say 45 kV and test again, it is astonishing to note that it may now breakdown at 20 kV or even less. So if low values are recorded in a test, a probable cause may be careless handling. Unless staff are specially trained and they fully appreciate the importance of perfect cleanliness at every stage of the test, the results will be completely misleading.

Some of the points to be considered are detailed below :

- i) The breakdown values (BDV) given refer to the RMS voltage when tested as per IS 335:1993, using a standard test cell with two 13 mm dia. polished spheres, and a test gap of 2.5 mm. The shape and spacing of the electrodes has a great influence on the test values

- ii) The test should be conducted when the oil is cold and not when hot. The dielectric strength varies with temperature as shown below :

Temperature °C	30	40	50	60	70	80
BDV, kV	33	35	36	37	38	39

- iii) Rubber is affected by oil. Therefore use plastic tubes for drawing out the sample. Sampling bottles should have glass stoppers; cork absorbs moisture and may contaminate the oil.
- iv) The sample of oil should preferably be drawn from the bottom of the transformer tank. As water is heavier than oil, it settles down at the bottom. The first sample or two may be thrown away if it contains sludge or droplets of water; the next sample drawn will surely not fail to reveal high moisture content if the oil has been exposed to drops of water. The main difficulty in drawing samples from the bottom of the tank is when it is not fitted with a drain cock but only with a drain plug. The sample may then be drawn by siphoning off the conservator tank. In circuit breakers of good make special oil sampling cocks are often fitted to facilitate drawing out a small quantity of oil for test purposes without any spilling.
- v) The glass bottle into which oil is drawn should be perfectly clean, clear, transparent and dry. It should then be thoroughly rinsed with oil known to be good. Collecting the oil directly into the oil test cup may appear more convenient but is not recommended, to avoid the possibility of damaging the cup by handling it unnecessarily, it is also impracticable if a number of oil samples have to be tested. The sampling bottles should have sufficient capacity to allow at least two tests. After collecting the oil, check up the oil level in the transformer and make good if deficient. Every bottle should be clearly labeled and dated.
- vi) The oil testing set is best kept at the central maintenance depot and operated by trained and intelligent staff. The testing equipment comprises:
- a) A standard test cup, which can be readily removed for cleaning, fitted with two spheres each 13 mm dia. with some means of adjusting the gap. This should be set at 4 mm using the calibrated gauge, usually supplied with the equipment. The gap should be checked every time the test set is used.
- b) A fixed ratio transformer is used to step up the voltage. A small Variac connected to the AC 230 volt supply permits application of variable voltage to the primary so that the HT voltage applied to the test gaps may be raised gradually from zero to 40 kV or more. A voltmeter is provided on the primary side but calibrated to show the secondary voltages directly.

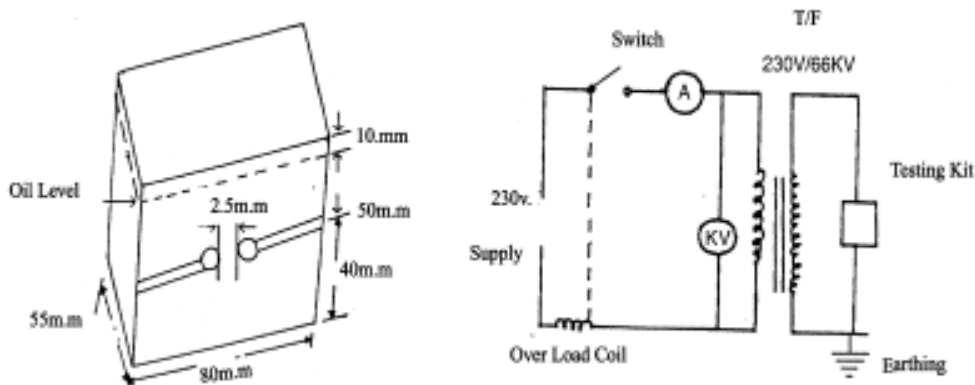


Fig.16.1 - Transformer oil testing kit

- c) A circuit breaker to trip off the supply to the transformer, immediately if a sparkover occurs.

(vii) The actual testing is done as follows :

- a) The gap is first checked with gauge and the test cup and the electrode gap thoroughly cleaned and washed with oil known to be good. The cup is then filled with the sample oil to be tested upto about one cm above the electrodes. The cup top should then be covered with a clean glass plate and allowed to rest for at least 5 minutes so that all air bubbles may disappear. Any bubbles still standing on the surface may be removed with a clean glass rod. Use thin rubber gloves if you can, so that the sweat on your fingers may not cause any contamination of the oil.
- b) After making sure that the test area is clear of all men and the voltage regulator is in the zero position, switch on the supply. Raise the voltage gradually from zero so that the full voltage is reached in about 20 to 30 seconds. It is quite possible that there may be one or two sparkovers across the electrodes in the very early stage itself even when the voltage is 20 kV or less. These should be ignored as they are usually due to some extraneous matter like microscopic strands of cotton, dust, etc. which have a tendency to get aligned along the strong electrostatic field in the spark gap. They get burnt out and do not affect the test. The test should, therefore, be continued and the voltage raised until there is positive and final breakdown of the oil accompanied by blackening of the oil near the gap. The circuit breaker will also get tripped out. If it is closed once again it will immediately trip. This is totally different from the spurious temporary breakdown earlier, when re-closure will not cause tripping.
- c) After emptying the oil cup the electrodes and the cup are once again thoroughly cleaned and rinsed with good oil, after which they are ready for conducting another test. There is no objection at all against conducting tests on two or more samples; the highest value recorded should be taken as correct.

There are a number of environmental variables, such as temperature, precipitation, etc., to

consider before collecting a sample. The ideal situation for collecting a sample from an electrical apparatus is 35°C (95°F) or higher, zero percent humidity and no wind. Cold conditions, or conditions when relative humidity is in excess of 70 percent, should be avoided, as this will increase moisture in the sample. Collecting a sample during windy conditions is also not recommended because dust and debris enter the clean sample easily and disrupt accurate particle counts. If sampling the oils is unavoidable when the outside temperatures are at or below 0°C (32°F), it should not be tested for water content or any properties that are affected by water such as dielectric breakdown voltage. Fluids with specific gravity greater than 1.0, such as askarels, should be sampled from the top because free water will float. For fluids with a specific gravity less than 1.0, such as mineral-based transformer oils, synthetic fluids and silicone oils, the sample should be taken from the bottom since water will tend to drop to the bottom in these fluids.

16.9 The breakdown value (BDV) for the oil :

Good oil for filling in of transformers should withstand at least 40 kV (in the above condition(vi-a)) for one minute. If it is quite dry, the BDV could be as high as 50 kV or even 60 kV. When oil is filled into a transformer tank and allowed to rest for several days, it will often be found that test conducted on a sample subsequently drawn from the tank will give a much lower BDV than before. This is because the dry oil which is filled in absorbs any moisture which may be present inside the tank or the windings. If the BDV remains very nearly the same as before, it proves that the windings are quite dry. As a general thumb rule, the minimum BDV for energizing any transformer rated 33 kV or below is 30 kV. For higher voltages the minimum BDV is 40 kV. If it is lower, it is necessary to dry out the transformer by one of the methods described earlier, until BDV of 40 kV or more is obtained. For switch oil in circuit breakers or motor starters, etc. a lower BDV is permissible but a minimum of 30 kV should be maintained.

16.10 Action to be taken if a transformer fails :

The action to be taken depends upon the size of the transformer, which protective relays have operated, whether tripping is accompanied by loud noise, smoke or expulsion of oil from the transformer, etc. Therefore, the first thing to do is to make a very careful note of the full circumstances of the failure. The following brief notes may be of help:

- i) Go round the transformer and observe its external condition, look for any damage to the bushings, leads or cable box and any evidence of squirting of oil. Note the temperature of oil, at the earliest, and check if the level of oil in the conservator is right. Take megger readings between primary and secondary and also of each to earth. If everything is right, proceed as noted below.
- ii) The failure may possibly be due to sudden and heavy over-load or short-circuit. If a HRC fuse provided for a small transformer has blown or a switch fuse has dropped out, check if its ampere rating is right. If incorrect, replace by the correct size and energise the transformer, after switching off the secondary circuit. If everything is all right, close the secondary circuit ; if the fuse blows again, the fault is obviously in the

outgoing lines, which should be traced and rectified; if it does not blow the fault or overload has apparently cleared itself. If, on the other hand, the primary circuit fuse blows out, even when the load is disconnected, an internal fault or a fault in the connecting cable is indicated. The above remarks also apply, if an over-current relay alone has operated and tripped the breaker.

- iii) If a differential relay operates when a transformer is first switched on, it may be due to a switching surge. Check harmonic-restraint circuit. If, on the other hand, the relay operates when the transformer is in service, it is a sure indication of an internal fault.
- iv) Any tripping of the Bucholz relay requires to be carefully looked into. If the lower assembly has tripped due to sudden evolution of large quantities of gas, a major internal fault is to be inferred especially if either over-current or differential or earth fault relay has operated. If, on the other hand, the upper assembly has tripped due to slow release of gas it is necessary to find out its composition before any conclusions can be drawn. If it is air only, there is no cause for worry, as air can enter into the transformer in many ways. When a transformer is first commissioned it sometimes happens that the Bucholz relay upper assembly trips, after a few hours of run, due to the release of air bubbles entrapped within the windings, such as when hand filling is employed for filling oil into the tank. To avoid this happening, it is best to fill the oil under vacuum, making use of a pump.

If the accumulated gas is not air, an incipient fault is indicated. Analysis of the gas would help in identifying the nature of the fault, and this should be done as a routine measure. If the Bucholz relay has tripped, without any gas being given out, it may be due to electrical fault in the wiring. To ensure that the relay does trip when there is release of gas, it is necessary to conduct a test at the time of commissioning and also periodically. This can be easily done by pumping in air through the pet cock by an ordinary cycle pump. If the internal assembly is mechanically free, it will close the electrical contacts, sound the alarm and trip the circuit breaker.

- v) Thorough checking is required if the Earth Fault relay has tripped or if there is any evolution of smoke or oil, and also if the explosion vent provided in a large transformer blows out. In such cases reclosure of supply should not be permitted as it may cause further extensive damage. It will be necessary to lift the core out and make a detailed inspection of the internal parts. Before doing so, however, it is necessary to take measurements of the resistance of the windings and compare the figures with the Maker's test figures, which incidentally should be carefully preserved by every office. A sample of oil should also be drawn out and its breakdown voltage tested.
- vi) One way of finding an inner-layer or inter-coil short is to check the turns ratio by an accurate ratiometer.

16.11 Points to be attended during periodical overhaul :

After lifting out the core and placing it on a trestle, the interior of the tank should be thoroughly

cleaned of all accumulated sludge, muck and dirt. Take care to clean up the drain plug, and wash the interior of the tank as well as the cooling tubes, first with old oil and again with new oil. If there are any cracked or badly welded joints they may be attended to. Thoroughly clean all the gasket surfaces and keep new gaskets ready. Check acidity of oil, if excessive replace it by fresh oil. Sludge to be removed from the core and coil assembly . The sludge should be scraped off with fibre or wooden strips. Oil ventilation ducts should be specially cleared. By applying a jet of oil under pressure the interior parts of the coil assembly could be flushed and all traces of sludge removed.

Wedges which are usually provided to hold the coil assembly in position should be driven in to take up any slackness. Large transformers are often equipped with adjustable screws bearing on clamping rings placed on the outside of the end coils, so that any slackness due to shrinking of coils could be taken up. These screws should be tightened up. Shrinkage and settlement usually takes place within the first few months of the commissioning of a transformer. If the coils are not rigidly in position, it will lead to repeated movement of the coils as well as the layers and turns, which in turn will cause abrasion and wear and ultimately breakdown of insulation. To overcome this, modern transformer coils are often pre-shrunk. The first available opportunity should be taken, preferably after six months or one year after commissioning, to drive in the wedges and tighten up the pressure screws where they are provided. Core clamping bolts and check nuts should be tightened, as also all bolted electrical joints. Attention should be given to clean up the tap-changing switch contacts and mechanism. After a careful check the core should be lifted and lowered into the tank, internal connections put back, fresh oil filled in and top cover bolted in position. Before closing the cover, make sure that no spanners or tools are inadvertently left inside. The oil may then be circulated through an oil purifier and the transformer dried out until all moisture has been driven out. The transformer may then be subjected to as many tests as feasible depending upon the test facilities available. A load test would be particularly useful. Where an industry, railway or electric supply authority has a large number of transformers to maintain, it is obviously desirable to make a periodical overhaul (POH) programme, maintaining a few spare transformers of different capacities for being sent out to work in place of other transformers to be brought into the central workshop one after another for POH. The work load on the workshop will be uniform throughout the year and no transformer will be left neglected for long periods until it breaks down.

QUESTIONS

Part - A

Choose the Correct Answer

(1 Mark)

1. Abnormal rise in temperature of oil in transformer may be due to
A) Over voltage
B) Transformer losses
C) Overloading
D) Failure of circuit breaker.
2. During drying process of transformer the temperature should not exceed
A) 50°C
B) 90° C
C) 120° C
D) 30° C

3. Drying process can be quickened by applying
A) Heat B) Hot air C) High pressure D) Vacuum.
4. A simple and quick way of checking moisture in transformer oil is
A) Crackle test B) Di-electric test C) Break down test D) Flash test
5. A gap of _____ mm is maintained between the spheres in the dielectric strength testing kit.
A) 1 mm B) 2.5 mm C) 4 mm D) 10 mm
6. The dielectric strength of oil should be _____ kV for 1 min. under normal condition of oil.
A) 40 B) 100 C) 25 D) 32
7. Which relay may some times operate causing tripping circuit breaker during transformer switch ON
A) over current relay B) bucholz C) differential relay D) earth fault relay
8. Tripping of _____ relay requires careful investigation, since it is operated by gas evolved within the transformer.
A) over current B) under voltage C) earth fault D) bucholz
9. Transformer oil needs to be replaced if _____ of oil is very high.
A) dielectric strength B) moisture C) acidity D) density
10. _____ of oil can be done even when transformer is in service.
A) changing B) purification C) draining D) inclusion

Part - B

Answer the following questions in one or two words

(1 Mark)

1. Which material is best suited for gaskets for Transformer?
2. What is time normally taken for drying out a large transformer?
3. Under what conditions drying of transformer can be done by blowing in hot air through the transformer tank?
4. What should be inlet air temperature in the above case?
5. What is IS standard (No.) which gives the specifications for transformer oil?
6. What should be colour of a good quality Transformer oil?
7. What affects the di-electric strength of Transformer oil?
8. What are the two main causes of oxidation of the oil?
9. State whether the breakdown values (BDV) are given normally refer to the RMS voltage or peak voltage?

10. What is the very important aspect to be observed while of conducting dielectric strength test on transformer oil?

Part - C

Answer the following questions briefly

(4 Marks)

1. What may be the reason for rise in temperature of transformer oil?
2. State the causes for the drop in oil bud in a transformer?
3. What is drying of transformer?
4. What are the precautions to be observed during the drying out process?
5. What are the different methods used for drying of transformer?
6. What is meant by purification of transformer oil. State its necessity.
7. What are different oil purifier commonly used?
8. What are the components of oil testing set?
9. What is meant by Break down value of oil?
10. What should be the BDV of oil under normal operating conditions?
11. State few reasons for failure of transformer?
12. State the reasons for fall in dielectric strength of transformer oil?

Part - D

Answer the following questions in one page level

(10 Marks)

1. State the actions to be taken to rectify the problem of low insulation value?
2. Briefly explain, what is degreasing? How it is done?
3. State the remedial measures to be taken if transformer oil level falls?
4. What are desired qualities of good transformer oil?
5. State the precautions to be followed during testing of dielectric strength of transformer oil?
6. Briefly describe what are things to be done during overhauling of transformer?

**HIGHER SECONDARY - VOCATIONAL
THEORY - ELECTRICAL MACHINES AND APPLIANCES
MODEL QUESTION PAPER**

Time: 3Hrs

Max. Marks: 200

Part – I

Choose the Correct Answer

15x1=15 Marks

1. Insulating materials are used between
 - A) Conducting materials and Non - conducting materials
 - B) Two non –conducting materials
 - C) Two-conducting materials (both not part of current carrying circuit)
 - D) Two conducting materials (of which only one is part of current carrying circuit)
2. To transfer power without much loss of power the conductor material should be
 - A) Very light B) very strong C) have very low resistance D) have very low weight
3. The back pitch for a 4 pole, 12 slot simplex lap connected dc machine is
 - A) 1.0 B) 3.1 C) 5.3 D) 7.5
4. In single layer winding, the number of coil is equal to _____ so that each slot contains only one coil side.
 - A) The number of slots on the stator B) the number of poles
 - C) Synchronous speed D) half the number of slots on the stator
5. The value of back pitch of a dc armature winding should be
 - A) a even integer B) an odd integer C) equal to one D) a prime number
6. In double layer winding to ensure that the coils have the same pitch and turns, there will be _____ coil side(s) in each slot
 - A) One B) four C) six D) two
7. By performing continuity test, we can determine
 - i) Existence of any open circuit in the electrical network
 - ii) Existence of any short circuit in the electrical network
 - A) i alone is correct B) ii alone is correct C) both are correct D) both are wrong
8. An / A _____ converts electricity into heat to cook and bake
 - A) Electric toaster B) electric stove C) fridge D) grinder
9. Pick the odd one out
 - A) Heating element B) Nichrome C) Sole plate D) Pressure plate
10. The type of heater used to heat the water contained in a plastic bucket is
 - A) Electric kettle B) immersion water heater C) storage water heater D) Any type
11. The drive motor used in electric Mixie is
 - A) DC series motor B) induction motor C) Universal motor D) synchronous motor
12. The type of Vacuum cleaner used to clean stairs and under furniture is
 - A) Cylinder type B) upright type C) Wet and dry type D) Any one

13. The diameter of the circle traced out by the extreme tips of the fan blades is called as
A) Blade flange B) blade length C) blade sweep D) blade size
14. The part due to which water gets the centrifugal force is called
A) Casing or volute B) stuffing box C) spindle D) impeller
15. The maintenance work carried out on the machine after it has failed to work is called
A) Breakdown maintenance B) Preventive maintenance
C) Periodic maintenance D) Predictive maintenance

Part – II

Answer all the questions in one or two words

15x1=15 Marks

16. Which classes of insulating material can withstand temp.s of 155°C and 180°C respectively?
17. Which type of copper conductor is called hard copper?
18. Write the formulae for the total number of conductors of a given machine
19. For full pitch winding, what should be the angle between the two sides of the same coil?
20. What rule is used to find the current direction in the armature winding of a dc generator?
21. Which has a tendency to impair the insulation on the wires and cause shorts?
22. While measuring resistance of the coil using multimeter, its reading indicates infinite resistance. What does it mean?
23. Which part inside a toaster is linked to a toast colour control outside?
24. Which part of electric iron is used to keep the heating element firmly against the sole – plate?
25. Name the material filled in the space between the tanks in storage water heaters to prevent heat transfer from inner tank to outer tank.
26. For speed control of mixer motor, tapping is provided in armature coil. Say True or False
27. What is the need of vacuum filters in Vacuum cleaner?
28. What type of capacitor is used in electric ceiling and table fan?
29. What is packing rope made of?
30. What maintenance procedure is based on inspection or diagnosis?

Part – III

Answer Any ten Questions in one or two sentences

10x4=40 Marks

31. Give two examples of insulating materials in each of the above classes.
32. What is meant by flexible wire?
33. What are called as half coil windings?
34. Calculate the angle between the adjacent slots for a 3 phase, single layer concentric type of winding for a 2 pole ac machine having 12 slots.
35. Calculate the back, front and winding pitches for a 2 pole, 6 slot double layer simplex wave connected dc machine with commutator having 12 segments.
36. Why is the armature banded? Explain.
37. What is importance of insulation testing? State the causes of insulating material deterioration.
38. Distinguish between Non – automatic and automatic type electric toaster?
39. Distinguish between Non – automatic and automatic Iron box
40. List the precautions to be followed while using immersion water heater.
41. How do you clean body of electric mixie, its jar and blades?
42. State the uses of different types of vacuum cleaner.

Part – IV

Answer Any Five Questions Briefly

(5x10=50Marks)

43. What are the differences between Thermoplastic and thermosetting plastics? Discuss the properties of any two materials from each category.
44. State any ten properties of Enamel coating of the wires.
45. Explain the procedure of lacing the steel bands.
46. Briefly explain the construction and operation of percolator type coffee maker
47. Explain briefly the function of following in electric mixie i) different jars ii) Auto – overload protector.
48. Brief the various problems normally arise in washing machine and discuss their remedies
49. Discuss briefly the various safety features commonly employed in hair dryers.

Part – IV

Answer Any Four Questions Elaborately

4x20=80Marks

50. Derive expressions for electrical and mechanical degrees in terms of poles and slots.
51. Develop a 3 phase, single layer concentric type of winding for a 4 pole ac machine having 24 slots using a) Half coil winding **OR** b) whole coil winding **OR** c) mush winding
52. Develop a winding diagram for a 4 pole, 13 slot double layer simplex wave connected dc machine with 1 commutator segments. Indicate the position of brushes.
53. With suitable circuits, explain briefly the method of 3 – phase power measurement using i) single wattmeter ii) two wattmeters and iii) three wattmeters.
54. Explain with neat sketches, the construction and working of an electric toaster
55. Stating the function of bimetallic thermostat, explain briefly the construction and working of Automatic Iron box.

BLUE PRINT FOR 12TH STANDARD ELECTRICAL MACHINES AND APPLIANCES - THEORY						
Sl.No.	Contents	Choose the correct Answer 1 Mark	Answer in One or Two words or 1 Mark	Answer briefly around five lines 4 Marks	Answer in one page level 10 Marks	Answer in two page level 20 Marks
1.	Winding Insulating Materials	1	1	1	1	-
2.	Winding wire	1	1	1	1	-
3.	Details of winding	1	-	1	-	1
4.	Development of Winding - AC machines	-	1	1	-	-
5	Development of Winding - DC machines	1	1	-	-	1
6.	Rewinding and Testing of Electric motors	1	1	1	-	1
7.	Instruments and Testing	1	1	1	1	-
8.	Electrical Cooking Appliances	1	1	1	-	-
9.	Electric Iron Box	1	1	-	-	1
10.	Water Heaters and Coffee Makers	1	1	-	-	1
11.	Electric mixer and Egg Beaters	1	1	1	1	-
12.	Vacuum cleaner and Washing machines	1	1	-	-	1
13.	Electric Fan and Electric hair drier	1	1	1	1	-
14.	Centrifugal Pump	1	1	1	-	-
15.	Maintenance of Roatating machines	1	1	1	1	-
16.	Maintenance of Transformers	1	1	1	1	-
TOTAL QUESTIONS TO BE ANSWERED		15	15	10	5	4
TOTAL MARKS - 200		15	15	40	50	80

ELECTRICAL MACHINES AND APPLIANCES

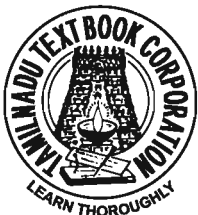
PRACTICAL - I & II

VOCATIONAL EDUCATION

HIGHER SECONDARY SECOND YEAR

A publication under
Government of Tamilnadu
Distribution of Free Textbook Programme
(NOT FOR SALE)

Untouchability is a sin
Untouchability is a crime
Untouchability is inhuman



**TAMILNADU
TEXTBOOK CORPORATION**
COLLEGE ROAD, CHENNAI - 600 006.

CHAIR PERSON

Dr. J. KANAGARAJ,
Associat Professor,
Electrical and Electronics Department,
P.S.G. Engineering College,
Peelamedu, Coimbatore

AUTHORS

Mrs. A. SUMATHI,
Associat Professor,
Electrical and Electronics Department,
P.S.G. Engineering College,
Peelamedu, Coimbatore

Mr. R. KRISHNAKUMAR,
Assistant Professor,
Electrical and Electronics Department,
P.S.G. Engineering College,
Peelamedu, Coimbatore

Mr. B. BALASUBRAMANIAN
Vocational Instructor (Special Grade)
Municipal Boys Higher Secondary School,
Pollachi,
Kovai District.

Mr. K.S. SAMBATH NAGARAJAN,
Vocational Instructor (Special Grade)
Govt. Higher Secondary School,
Paravakkottai,
Thiruvarur District.

This book has been prepared by The Directorate of School Education
on behalf of the Government of Tamilnadu

This Book has been Printed on 60 G.S.M Paper

PRACTICAL - I

Ex.

No.

Syllabus

- 1 Wind the single phase 230V / 12V-0-12V, 3A shell type transformer and check the continuity and operation with out vibration. Measure the rated voltage and rated current on full load in secondary winding.
- 2 Wind the 230V, 750W, 2 Pole universal motor new field winding and insulate the proper area. Insert the field winding and connect the end connections and test the function.
- 3 Prepare the running coils by concentric method for AC, 230V, 24 Slots, 4 Poles capacitor start induction run motor. Insert the running coils in stator slots and connect the end connections. Conduct the earth test and continuity test.
- 4 Prepare the starting coils by concentric method for AC, 230V, 24 Slots, 4 Poles capacitor start induction run motor. Insert the starting coils in stator slots and connect the end connections. Conduct the earth test and continuity test.
- 5 Prepare the running coils by concentric method for AC, 230V, 36 slots, 4 Poles capacitor start induction run motor. Insert the running coils in stator slots and connect the end connections. Conduct the earth test and continuity test.
- 6 Prepare the starting coils by concentric method for AC, 230V, 36 Slots, 4 Poles capacitor start induction run motor, insert the starting coils in stator slots and connect the end connections. Conduct the earth test and continuity test.
- 7 Rewind the main winding of AC, 230V, Salient pole type shaded pole motor and test it.
- 8 Rewind the ceiling fan of AC single phase, 230V
- 9 Wind the one phase coils for AC three phase 400/440V, 24 slots, 4 Poles stator of squirrel cage induction motor in double layer diamond coil method.
- 10 Insert the already wound one phase coils for AC, 3 phase, 400/440V, 24 slots, 4 Poles stator of squirrel cage induction motor in double layer method. Connect the end connections and conduct the earth test and continuity test.
- 11 Wind the one phase coils for AC three phase 400/440V, 36 slots, 4 Poles stator of squirrel cage induction motor in Single layer method.
- 12 Insert the already wound one phase coils for AC, 3 phase, 400/440V, 36 slots, 4 Poles stator of squirrel cage induction motor in single layer method. Connect the end connections and conduct the earth test and continuity test.
- 13 Rewind the given DC armature in simplex lap winding. Conduct the earth test, short circuit test, continuity test and commutator segment bars short circuit test.
- 14 Rewind the given DC armature in simplex wave winding. Conduct the earth test, short circuit test, continuity test and commutator segment bars short circuit test.
- 15 Dismantle the given AC, 3 phase 400/440V squirrel cage induction motor by proper tools. Check the insulation resistance by using megger. Check the bearing and apply the quality grease in correct quantity. Assemble the motor and measure the air gap by feeler gauge.

PRACTICAL - II

**Ex.
No.**

Syllabus

- 1 Dismantle the given faulty steam ironbox, identify the fault and correct it and re assemble the iron box and test the ironbox.
- 2 Dismantle the given faulty automatic ironbox, identify the fault and correct it and re assemble the iron box and test the ironbox.
- 3 Dismantle the given faulty Electric Stove, identify the fault and correct it and re assemble the Electric Stove and test the Electric Stove.
- 4 Dismantle the given faulty Hot Plate, identify the fault and correct it and re assemble the Hot Plate and test the Hot Plate.
- 5 Dismantle the given faulty Electric Bread Toaster, identify the fault and correct it and re assemble the Electric Bread Toaster and test the Electric Bread Toaster.
- 6 Dismantle the given faulty Saucer pan kettle, identify the fault and correct it and re assemble the Saucer pan kettle and test the Saucer pan kettle.
- 7 Dismantle the given faulty Geyser, identify the fault and correct it and re assemble the Geyser and test the Geyser.
- 8 Dismantle the given faulty Coffee Percolator, identify the fault and correct it and re assemble the Coffee Percolator and test the Coffee Percolator.
- 9 Dismantle the given faulty Mixer, identify the fault and correct it and re assemble the Mixer and test the Mixer.
- 10 Dismantle the given faulty Egg beater, identify the fault and correct it and re assemble the Egg beater and test the Egg beater.
- 11 Dismantle the given faulty Table Fan, identify the fault and correct it and re assemble the Table Fan and test the Table Fan.
- 12 Dismantle the given faulty Ceiling Fan, identify the fault and correct it and re assemble the Ceiling Fan and test the Ceiling Fan.
- 13 Dismantle the given faulty Domestic Water Pumpset, identify the fault and correct it and re assemble the Domestic Water Pumpset and test the Domestic Water Pumpset.
- 14 Dismantle the given faulty Electric Hair Drier, identify the fault and correct it and re assemble the Electric Hair Drier and test the Electric Hair Drier.
- 15 Dismantle the given faulty Vacuum Cleaner, identify the fault and correct it and re assemble the Vacuum Cleaner and test the Vacuum Cleaner.

S.No.	PRACTICAL - I CONTENTS	Page No.
1.	Transformer Winding	1
2.	Universal Motor Field Winding	7
3.	AC 230V 24 Slots 4 Pole Capacitor Start induction run motor concentric type Running Coil in stator slots with end connections	9
4.	AC 230V 24 Slots 4 Pole Capacitor Start induction run motor concentric type Starting Coil in stator slots with end connections	14
5.	AC 230V 36 Slots 4 Pole Capacitor Start induction run motor concentric type Running Coil in stator slots with end connections	19
6.	AC 230V 36 Slots 4 Pole Capacitor Start induction run motor concentric type Starting Coil in stator slots with end Connections	24
7.	Main winding of the salient type shaded pole motor	29
8.	Ceiling Fan of AC Single phase 230V	33
9.	AC 3 Phase 400/440V 24 Slots 4 pole stator of squirrel cage induction motor double layer diamond coil method One phase coil winding.	39
10.	AC 3 Phase 400/440V 24 Slots 4 pole stator of squirrel cage induction motor double layer diamond coil method Inserting the already wound one phase coil.	46
11.	AC 3 Phase 400/440V 36 Slots 4 pole stator of squirrel cage induction motor double layer diamond coil method One phase coil winding.	54
12.	AC 3 Phase 400/440V 36 Slots 4 pole stator of squirrel cage induction motor double layer diamond coil method Inserting the already wound one phase coil.	61
13.	DC Armature simplex lap winding.	68
14.	DC Armature simplex wave winding.	75
15.	AC 3 phase 400/440V squirrel cage induction motor Dismantling checking insulation and bearing and Assembling	80

S.No.	PRACTICAL - II CONTENTS	Page No.
1.	Steam Iron Box	86
2.	Automatic Iron Box	89
3.	Electric Stove	95
4.	Hot Plate	98
5.	Bread Toaster	101
6.	Electric Kettle	104
7.	Electric Geyser	107
8.	Coffee Perculator	111
9.	Mixer	114
10.	Egg Beader	117
11.	Table Fan	120
12.	Ceiling Fan	123
13.	Pump	127
14.	Electric Hair Drier	130
15.	Vaccum Cleaner	133

EXERCISE NO. 1

AIM

- I. To wind the single phase 230V/12V-0-12V, 3A shell type Transformer.
- II. To Check the continuity and operation with out vibration.
- III. To measure the rated voltage and rated current on full load in secondary winding.

RELATED INFORMATION:

A transformer is a static device which transforms AC voltage from one value to another at the same frequency. It consists of two coil windings on a core made of magnetic material. AC voltage is applied to one of the coils which is called the primary coil. The other coil, from which output is taken, is known as the secondary coil.

The relation between primary and secondary voltage (V_1, V_2); currents (I_1, I_2), number of turns (N_1, N_2) respectively, is given by,

$$\frac{V_2}{V_1} = \frac{I_2}{I_1} = \frac{N_2}{N_1}$$

The ratio N_1, N_2 is known as transformation ratio K . If the secondary voltage (V_2), is more than the primary voltage (V_1), then it is know as a step-up transformer. If the secondary voltage is less than the primary voltage, then it is called a step-down transformer.

CORE

AC supply voltage is applied to the primary winding, therefore, the flux flowing through the core is alternating. To reduce the eddy current loss, the core is made of laminations. The thickness of laminations or stampings varies from 0.35 mm. to 0.55 mm. The laminations are insultated from each other by a thin coat of insulating varnish. For good magnetic characteristics, cold rolled silicon steel is used. Silicon content may be of the order of 3 to 4%.

There are two types of transformers, from the construction point of view.

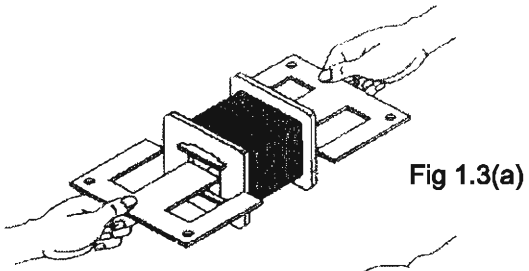


Fig 1.3(a)

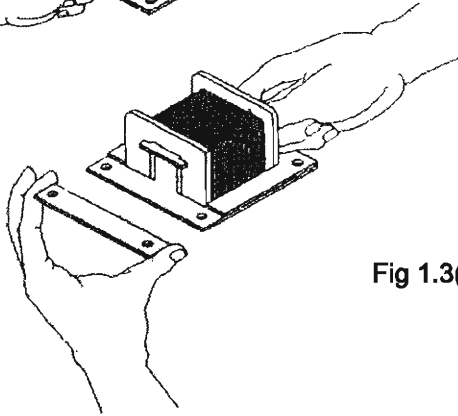


Fig 1.3(b)

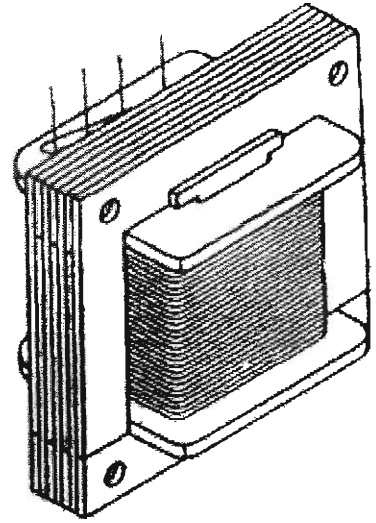


Fig 1.4

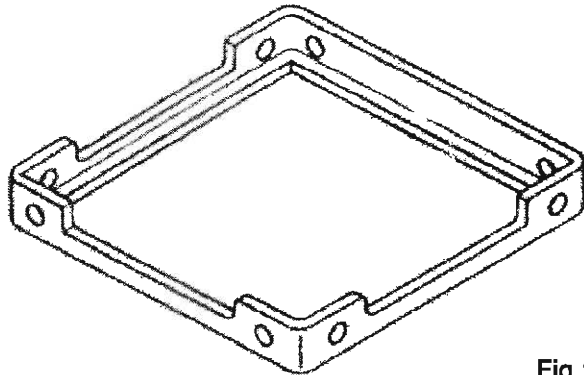


Fig 1.5

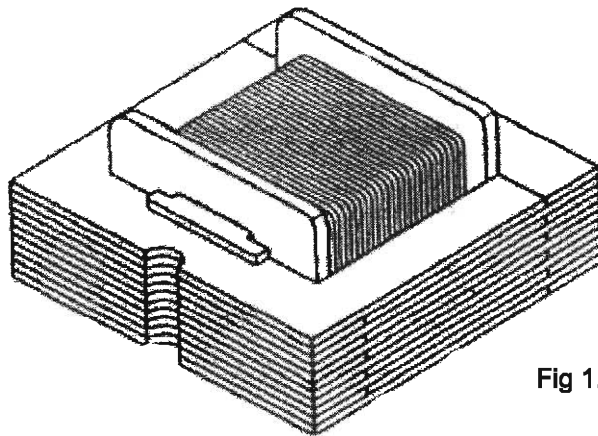


Fig 1.6

SHELLTYPE

In this type, the iron core surrounds the windings, as shown in Fig. 1.3 of (a) and (b).

Various types of laminations and stampings are shown in figs. 1.4, 1.5 and 1.6. In Figs. 1.4 (a) and (b), two L-shaped laminations are shown, indicating their mode of placement in the alternate layers. They are placed together to give the rectangular laminations of core. The complete laminated core consists of rectangular laminations placed alternately, one over the other as shown in Fig. 1.4(c), so that the joints are staggered. The joints are staggered to avoid a continuous air gap which increases the magnetising current. Further, if the joints are not staggered, the core will have less mechanical strength and there would be an undue humming noise during operation.

The core could also be assembled out of U and I types of laminations as shown in Fig. 1.5(a) and (b). The L and U-I laminations are generally used for the core type transformer. For making the shell type transformer, generally the combination of U and T laminations is used, as shown in Figs. 1.6 (a) and (b).

WINDINGS

In the case of small transformers, coils are usually wound with round wire in the form of a bobbin, in the same way as cotton thread is wound on a spool.

For small transformers of low voltage such as 230 V, about 5 to 8 turns per volt may be taken for primary winding, depending on the size of the transformer. Secondary number of turns can be obtained by the relationship.

$$N_2 = \frac{V_2}{V_1} \times N_1$$

The primary current can be calculated with the help of the given volt-ampere rating of the transformer.

$$\text{Primary current } I_1 = \text{Volt-ampere rating} \div V_1$$

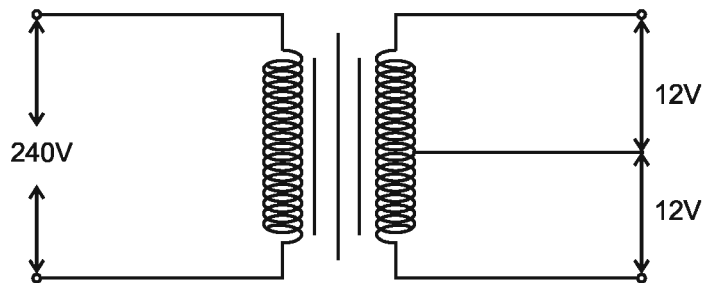
Secondary current I_2 can be calculated from the relation

$$I_2 = \frac{N_1}{N_2} \times I_1$$

The area of the cross-section of the winding conductor depends upon the current. Normally, the size of the primary and secondary conductors will be different. To select the cross sectional size of the winding, conductor tables of the manufacturers may be consulted. Normally, the current density of 3 amperes per sq. mm. may be assumed for determining the size of the conductor.

EQUIPMENT AND MATERIALS

- Ø Stampings / laminations
- Ø Malinex insulating sheet
- Ø Thin insulating paper
- Ø Plastic or bakelite former
- Ø Small bolts and nuts for clamping stampings
- Ø Super enamelled copper winding wire
- Ø Cotton and empire tapes
- Ø Coil winding machine



CALCULATIONS

FOR PRIMARY WINDING

$$\begin{aligned}
 \text{No. of turns per volt} &= 6 \text{ turns} \\
 \text{No. of turns per 230 V} &= 230 \times 6 \\
 &= 1380 \text{ turns}
 \end{aligned}$$

CONDUCTOR SIZE

Amps per sq. mm = 3Amps/sq.mm

Asper the table shown in text book:

The size of the conductor = 18 SWG is preforable.

FOR SECONDARY WIDNING

No. of turns per volt = 6 turns

No. of turns per 12volt = 12 x 6 = 72 turns

CONDUCTOR SIZE

Sead Current

$$I_2 = \frac{V_2}{N_1} \times I_1$$

$$I_2 = \frac{72}{1380} \times 3 = 0.15652A$$

Asper the table shown in the text book,

the size of the conductor

$$I_2 = \frac{0.1562}{3} \times = 0.052 \text{ Sq.mm}$$
$$= 32 \text{ SWG}$$

PROCEDURE

- ★ Select the size of the core and the type of the stamping (i.e.) for the shell type transformer, the combination of 'U' and 'T'
- ★ Select the suitable size of the conductor for windings, as explained above.
- ★ Select/make a former of suitable size.
- ★ Wrap the former with malinex insulation sheet.
- ★ Wind the primary winding or the former preferably with the help of a winding machine.

- ★ After every 2 or 3 layers of primary winding, use a layer of thin insulating paper.
- ★ After completing the primary winding, wrap with malinex sheet.
- ★ Wind the secondary turns.
- ★ Bring out taps at suitable number of turns for 12-0-12 volts.
- ★ Wrap with empire or cotton tape for insulation and mechanical protection.
- ★ Assemble the core with winding as shown in Figs. 1.2 and 1.3.
- ★ Clamp/bolt the core.

TABLE

Voltage (Volts)			No. of turns	Current (Amp)	Size of wire (mm)
Winding	Designed value	Actual Measured value			
Primary					
Secondary					

PRECAUTION

While winding, the enamel wire should not come into contact with sharp metallic edges.

EXERCISE NO. 2

AIM

- I. To wind the 230V, 750W, 2 pole universal motor new field winding and to insulate the proper area.
- II. To insert the field winding and connect the end connections.
- III. To test the function.

INTRODUCTORY INFORMATION AND RELATED THEORY

As the name itself indicates, the universal motor is a series wound or compensated series wound motor which can run on the same speed and output on both D.C. and single phase A.C. supply. This condition may be fulfilled when the A.C., and D.C. voltages are the same and the frequency of A.C. does not exceed 60 cycles per second.

Universal motor are used in domestic appliances such as vacuum cleaners, sewing machines, mixers, washing machines, portable drill machines, grinders, projectors etc.

The main parts of the universal motor are:

- A stator
- A rotor
- Brushes
- Brush holders
- end plates
- frame

EQUIPMENT AND RAW MATERIALS

EQUIPMENT:

- Ø A universal motor of available

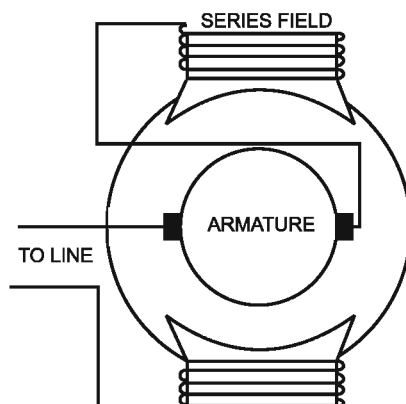
HAND TOOLS

- Ø B.E, spanner set – one set.
- Ø Electrician’s knife 100mm – one
- Ø Insulated cutting pliers – 150mm – one
- Ø Insulated screw drivers – 150mm and 100mm – one each
- Ø Wooden mallet – one
- Ø B.P. hammer $\frac{1}{4}$ kg – one

MATERIALS

- Ø G.I./M.S. tray – one
- Ø Cotton waste – as required.

CIRCUIT DIAGRAM



PROCEDURE

Remove the side and covers by using suitable tools. Remove the armature carefully. Disconnect the damaged field coils end connections. Remove the coil separately from the pole. Count the number of turns in the coil and record it. Measure the gauge number of the conductor by SWG and record it. Measure the poles dimension (a, b, c, d) and record it. Make a former as per the noted dimension by leathroid paper. Wind a new coil on the former by the conductor as same gauge number and number of turns which is recorded initially. Insert the coil carefully. Give the end connection by soldering. Check the continuity of the field winding. Reassemble the motor with correct connection. Connect the supply and check the function.

EXERCISE NO. 3

AIM

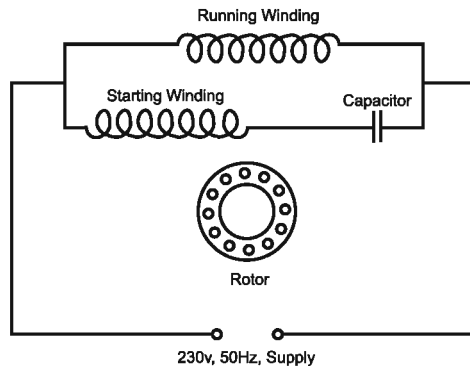
- I. To prepare the running coil by concentric method for AC, 230V, 24 Slots, 4 Poles capacitor start induction run motor.
- II. To insert the running coils in stator slots and to connect the end connections.
- III. To conduct the earth test and continuity test.

RELATED INFORMATION

Single-phase motor has two main parts, stator and rotor. The stator is provided with starting and running winding with a phase shift of 90° electrical. These windings are made from super enamelled copper wire and housed in a stator slot (semi-closed) with adequate slot insulation. The running windings is connected in parallel with the starting winding having a capacitor in series. The arrangement is shown in the figer.

The capacitor creates a 90° phase lead of current in the starting windings. It makes the single-phase induction motor self-starting.

During the course of normal working life the insulation of the winding becomes weak due to ingress of moisture, over-heating, high reactance voltage, fluctuation at the time of switching on and off.



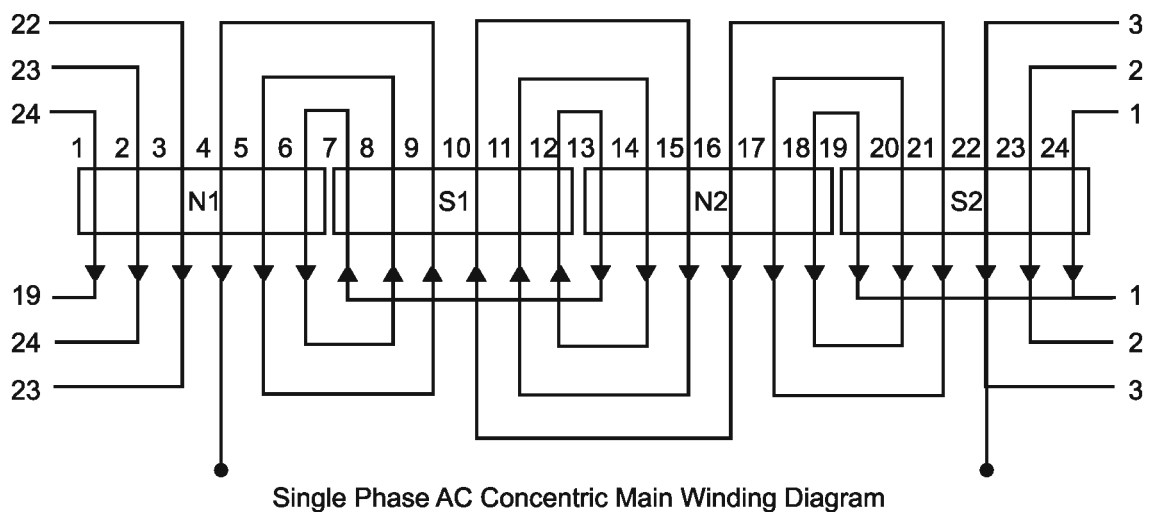
These may affect the life of and damage the insulation.

If the machine has electrical fault (short circuit, burnt winding, earth fault, or open circuit), it will always need rewinding.

For rewinding, data are normally collected from the old winding damaged winding of a similar machine.

EQUIPMENT AND MATERIALS

Sl. No.	Item	Quantity
1	Insulation tester (megger) 500 volt	1
2	Amperemeter 0-5A	1
3	Test lamp	1
4	Slot drift	1
5	Knife	1
6	Common hand tools	1 set
7	D.E. spanner set asserted 6mm – 24mm	1 set
8	Scissors	1
9	Hammer 1 lb	1
10	Mallet plastic	1
11	Wooden log of required size	1
12	Pulley puller 12”	As required 1 each
13	Bearing puller 6”	
14	Allen key set	1
15	Electric soldering iron 230V, 250W	1
16	Rasp cut file H.R. 20 cm	1
17	Smooth file H.R. 20cm	1
18	Two feet four-fold wooden foot rule	1
19	Tennon saw	1
20	Hand drill machine with required drill bits	1
21	Wooden plank	1
22	Wood screw assorted as required	1
23	Empire sleezes 1,2,4 mm	3 mtrs
24	Super enamelled wires	
25	White cotton tape 10mm	1 roll
26	Twine thread Modi No. 2	10 mtrs
27	Milinox paper or polyester film 5 mill.	50 gms
28	Soldering flux and solder, Resin core solder	5 gms
29	Insulating varnish DR Becks Elmo 65 ER	½ ltr



PROCEDURE

- ★ Prepare a job card for the work.
- ★ Note down the name plate data before dismantling the motor.
- ★ Dismantle the motor after making the end-plates with punch marks.
- ★ Note down the coil data before stripping off the damaged winding.
- ★ Strip off the damaged coils
- ★ Prepare a winding diagram.
- ★ Clean the stator's slot and remove the burnt insulation.
- ★ Record the data of the coils, both running and starting winding.
- ★ Record the data of the turns in each coils group.
- ★ Line the slots with the required type and size of insulating materials.
- ★ Make the former as per the dimensions of the removed coil.
- ★ Wind one test coil on the former, insert it in the slot and check its dimension.
- ★ Change the former, if necessary, and wind the coils.
- ★ Insert the coils in the slot as per first data; the running winding and then starting winding over it.
- ★ Connect the coils in both running and starting winding as per the data/diagram to produce North and South poles.
- ★ Solder the connections and put sleeves.

- ★ Tape the windings on both sides and press to shape.
- ★ Insert wedge of fiber or bamboo to size out the slot.
- ★ Connect both winding leads to the terminals on the terminal plate.
- ★ Recheck for untapped joint, sleeves etc. before closing the end plates and reassemble the motor.
- ★ Test the motor for insulation resistance.
- ★ Have a trial run on load and note the parameters e.g. intake current, speed, temperature rise, etc.
- ★ If the trial is successful, dismantle the motor and impregnate with proper insulating varnish.
- ★ Heat the motor in oven with a controlled temperature 80- 100°C for 10 to 12 hours.
- ★ Clean the stator by removing the excessive deposits of varnish on the cores.
- ★ Reassemble the motor and have a trial run on load and no-load.

NAME PLATE DATA MAKE

H.P.	RPM	Volt	Amps
Cycle	Type	Frame	Style
Temp	Model	S.No.	Phase

DATE (BEFORE STRIPPING OFF THE WINDING)

- ★ No. of slots
- ★ No. of coils
- ★ No. of coils in R/W
- ★ No. of coils in S/W
- ★ Pole pitch
- ★ Coil pitch
- ★ Type of winding
- ★ Type of connections
- ★ No. of coils per coil group in running and starting winding.

DATA (AFTER STRIPPING OFF THE WINDING)

- ★ Nomenclature, type and size of coil insulation.
- ★ Nomenclature, type and size of coil insulation.
- ★ Coil size.
- ★ Size and type of wire.
- ★ No. of turns in running and starting winding coils in different pitch.

PRECAUTIONS

- ★ Must put the punch mark on the end covers and the body, before removing the end plates.
- ★ While dismantling see that no damage is caused to the centrifugal switch on any other part of the motor.
- ★ Must note all the data very carefully in sequence and ensure that no parameter is left out.
- ★ Thoroughly clean the motor before winding without causing any damage to the cores.
- ★ Ensure that the former is of exact dimensions.
- ★ Check the insulation resistance of the running and starting windings, to each and between them.
- ★ While dismantling and assembling ensure that no damage is caused to the windings.
- ★ Pre-heat before impregnation to dry the moisture.

EXERCISE NO. 4

AIM

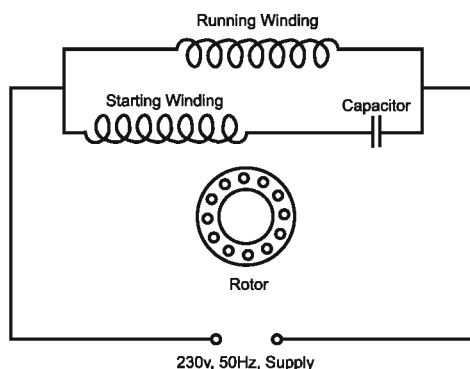
- I. To prepare the starting coil by concentric method for AC, 230V, 24 Slots, 4 Poles capacitor start induction run motor.
- II. To insert the starting coils in stator slots and to connect the end connections.
- III. To conduct the earth test and continuity test.

RELATED INFORMATION

Single-phase motor has two main parts, stator and rotor. The stator is provided with starting and running winding with a phase shift of 90° electrical. These windings are made from super enamelled copper wire and housed in a stator slot (semi-closed) with adequate slot insulation. The running windings is connected in parallel with the starting winding having a capacitor in series. The arrangement is shown in the figer.

The capacitor creates a 90° phase lead of current in the starting windings. It makes the single-phase induction motor self-starting.

During the course of normal working life the insulation of the winding becomes weak due to ingress of moisture, over-heating, high reactance voltage, fluctuation at the time of switching on and off.



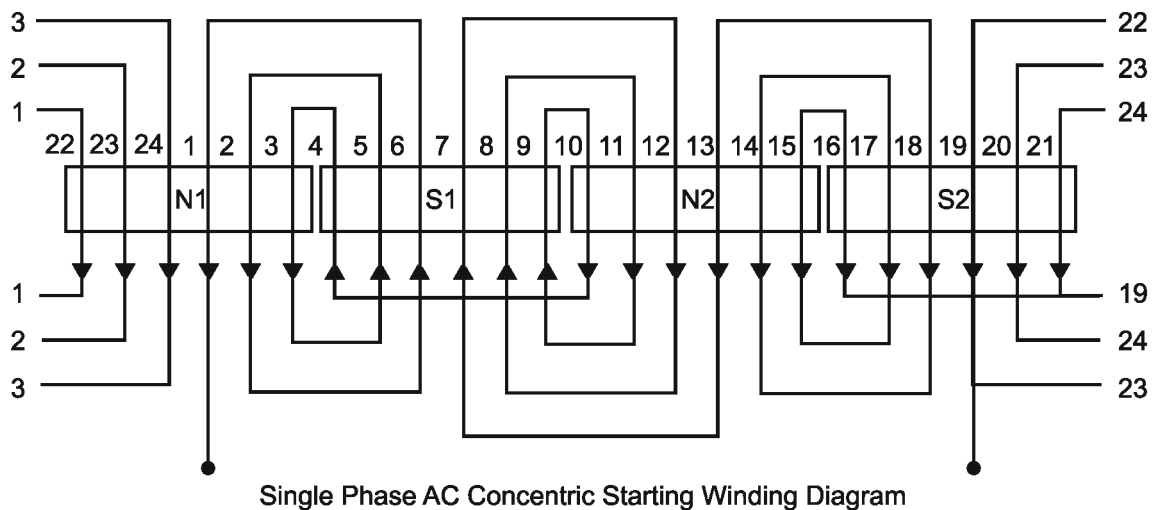
These may affect the life of and damage the insulation.

If the machine has electrical fault (short circuit, burnt winding, earth fault, or open circuit), it will always need rewinding.

For rewinding, data are normally collected from the old winding damaged winding of a similar machine

EQUIPMENT AND MATERIALS

Sl. No.	Item	Quantity
1	Insulation tester (megger) 500 volt	1
2	Amperemeter 0-5A	1
3	Test lamp	1
4	Slot drift	1
5	Knife	1
6	Common hand tools	1 set
7	D.E. spanner set asserted 6mm – 24mm	1 set
8	Scissors	1
9	Hammer 1 lb	1
10	Mallet plastic	1
11	Wooden log of required size	1
12	Pulley puller 12”	As required 1 each
13	Bearing puller 6”	
14	Allen key set	1
15	Electric soldering iron 230V, 250W	1
16	Rasp cut file H.R. 20 cm	1
17	Smooth file H.R. 20cm	1
18	Two feet four-fold wooden foot rule	1
19	Tennon saw	1
20	Hand drill machine with required drill bits	1
21	Wooden plank	1
22	Wood screw assorted as required	1
23	Empire sleezes 1,2,4 mm	3 mtrs
24	Super enamelled wires	
25	White cotton tape 10mm	1 roll
26	Twine thread Modi No. 2	10 mtrs
27	Milinox paper or polyester film 5 mill.	50 gms
28	Soldering flux and solder, Resin core solder	5 gms
29	Insulating varnish DR Becks Elmo 65 ER	½ ltr



PROCEDURE

- ★ Prepare a job card for the work.
- ★ Note down the name plate data before dismantling the motor.
- ★ Dismantle the motor after making the end-plates with punch marks.
- ★ Note down the coil data before stripping off the damaged winding.
- ★ Strip off the damaged coils
- ★ Prepare a winding diagram.
- ★ Clean the stator's slot and remove the burnt insulation.
- ★ Record the data of the coils, both running and starting winding.
- ★ Record the data of the turns in each coils group.
- ★ Line the slots with the required type and size of insulating materials.
- ★ Make the former as per the dimensions of the removed coil.
- ★ Wind one test coil on the former, insert it in the slot and check its dimension.
- ★ Change the former, if necessary, and wind the coils.
- ★ Insert the coils in the slot as per first data; the running winding and then starting winding over it.
- ★ Connect the coils in both running and starting winding as per the data/diagram to produce North and South poles.
- ★ Solder the connections and put sleeves.

- ★ Tape the windings on both sides and press to shape.
- ★ Insert wedge of fiber or bamboo to size out the slot.
- ★ Connect both winding leads to the terminals on the terminal plate.
- ★ Recheck for untapped joint, sleeves etc. before closing the end plates and reassemble the motor.
- ★ Test the motor for insulation resistance.
- ★ Have a trial run on load and note the parameters e.g. intake current, speed, temperature rise, etc.
- ★ If the trial is successful, dismantle the motor and impregnate with proper insulating varnish.
- ★ Heat the motor in oven with a controlled temperature 80- 100°C for 10 to 12 hours.
- ★ Clean the stator by removing the excessive deposits of varnish on the cores.
- ★ Reassemble the motor and have a trial run on load and no-load.

NAME PLATE DATA MAKE

H.P.	RPM	Volt	Amps
Cycle	Type	Frame	Style
Temp	Model	S.No.	Phase

DATE (BEFORE STRIPPING OFF THE WINDING)

- ★ No. of slots
- ★ No. of coils
- ★ No. of coils in R/W
- ★ No. of coils in S/W
- ★ Pole pitch
- ★ Coil pitch
- ★ Type of winding
- ★ Type of connections
- ★ No. of coils per coil group in running and starting winding.

DATA (AFTER STRIPPING OFF THE WINDING)

- ★ Nomenclature, type and size of coil insulation.
- ★ Nomenclature, type and size of coil insulation.
- ★ Coil size.
- ★ Size and type of wire.
- ★ No. of turns in running and starting winding coils in different pitch.

PRECAUTIONS

- ★ Must put the punch mark on the end covers and the body, before removing the end plates.
- ★ While dismantling see that no damage is caused to the centrifugal switch on any other part of the motor.
- ★ Must note all the data very carefully in sequence and ensure that no parameter is left out.
- ★ Thoroughly clean the motor before winding without causing any damage to the cores.
- ★ Ensure that the former is of exact dimensions.
- ★ Check the insulation resistance of the running and starting windings, to each and between them.
- ★ While dismantling and assembling ensure that no damage is caused to the windings.
- ★ Pre-heat before impregnation to dry the moisture.

EXERCISE NO. 5

AIM

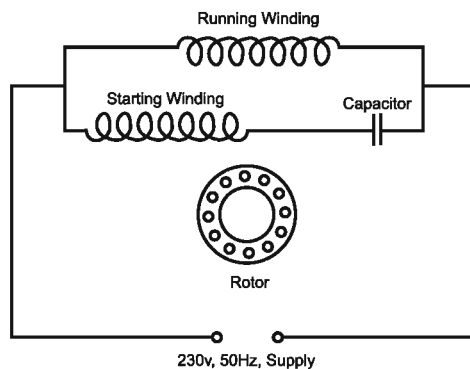
- I. To prepare the running coil by concentric method for AC, 230V, 36 Slots, 4 Poles capacitor start induction run motor.
- II. To insert the running coils in stator slots and to connect the end connections.
- III. To conduct the earth test and continuity test.

RELATED INFORMATION

Single-phase motor has two main parts, stator and rotor. The stator is provided with starting and running winding with a phase shift of 90° electrical. These windings are made from super enamelled copper wire and housed in a stator slot (semi-closed) with adequate slot insulation. The running windings is connected in parallel with the starting winding having a capacitor in series. The arrangement is shown in the figure.

The capacitor creates a 90° phase lead of current in the starting windings. It makes the single-phase induction motor self-starting.

During the course of normal working life the insulation of the winding becomes weak due to ingress of moisture, over-heating, high reactance voltage, fluctuation at the time of switching on and off.



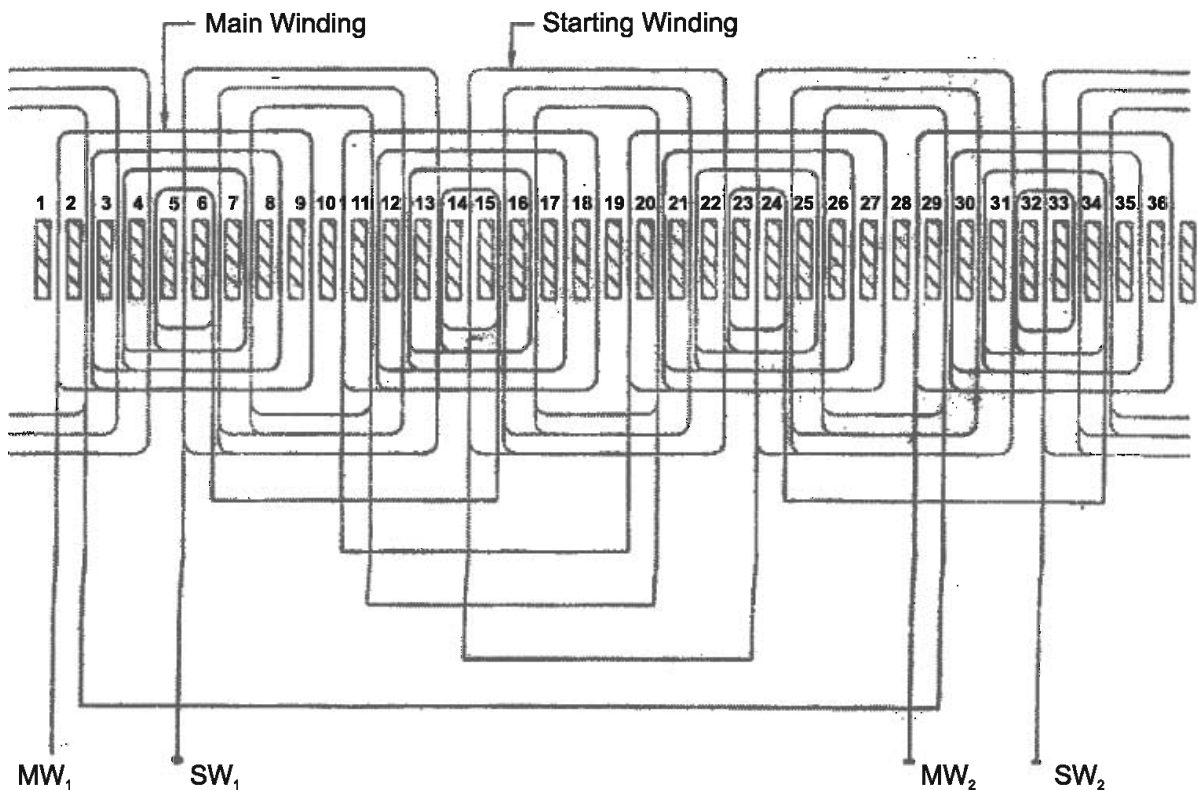
These may affect the life of and damage the insulation.

If the machine has electrical fault (short circuit, burnt winding, earth fault, or open circuit), it will always need rewinding.

For rewinding, data are normally collected from the old winding damaged winding of a similar machine.

EQUIPMENT AND MATERIALS

Sl. No.	Item	Quantity
1	Insulation tester (megger) 500 volt	1
2	Amperemeter 0-5A	1
3	Test lamp	1
4	Slot drift	1
5	Knife	1
6	Common hand tools	1 set
7	D.E. spanner set asserted 6mm – 24mm	1 set
8	Scissors	1
9	Hammer 1 lb	1
10	Mallet plastic	1
11	Wooden log of required size	1
12	Pulley puller 12”	As required 1 each
13	Bearing puller 6”	
14	Allen key set	1
15	Electric soldering iron 230V, 250W	1
16	Rasp cut file H.R. 20 cm	1
17	Smooth file H.R. 20cm	1
18	Two feet four-fold wooden foot rule	1
19	Tennon saw	1
20	Hand drill machine with required drill bits	1
21	Wooden plank	1
22	Wood screw assorted as required	1
23	Empire sleezes 1,2,4 mm	3 mtrs
24	Super enamelled wires	
25	White cotton tape 10mm	1 roll
26	Twine thread Modi No. 2	10 mtrs
27	Milnex paper or polyster film 5 mill.	50 gms
28	Soldering flux and solder, Resin core solder	5 gms
29	Insulating varnish DR Becks Elmo 65 ER	½ ltr



AC Single Phase 36 Slots 4 pole Concentric winding diagram

PROCEDURE

- ★ Prepare a job card for the work.
- ★ Note down the name plate data before dismantling the motor.
- ★ Dismantle the motor after making the end-plates with punch marks.
- ★ Note down the coil data before stripping off the damaged winding.
- ★ Strip off the damaged coils
- ★ Prepare a winding diagram.
- ★ Clean the stator's slot and remove the burnt insulation.
- ★ Record the data of the coils, both running and starting winding.
- ★ Record the data of the turns in each coils group.
- ★ Line the slots with the required type and size of insulating materials.
- ★ Make the former as per the dimensions of the removed coil.
- ★ Wind one test coil on the former, insert it in the slot and check its dimension.
- ★ Change the former, if necessary, and wind the coils.
- ★ Insert the coils in the slot as per first data; the running winding and then starting winding over it.

- ★ Connect the coils in both running and starting winding as per the data/diagram to produce North and South poles.
- ★ Solder the connections and put sleeves.
- ★ Tape the windings on both sides and press to shape.
- ★ Insert wedge of fiber or bamboo to size out the slot.
- ★ Connect both winding leads to the terminals on the terminal plate.
- ★ Recheck for untapped joint, sleeves etc. before closing the end plates and reassemble the motor.
- ★ Test the motor for insulation resistance.
- ★ Have a trial run on load and note the parameters e.g. intake current, speed, temperature rise, etc.
- ★ If the trial is successful, dismantle the motor and impregnate with proper insulating varnish.
- ★ Heat the motor in oven with a controlled temperature 80- 100°C for 10 to 12 hours.
- ★ Clean the stator by removing the excessive deposits of varnish on the cores.
- ★ Reassemble the motor and have a trial run on load and no-load.

NAME PLATE DATA MAKE

H.P.	RPM	Volt	Amps
Cycle	Type	Frame	Style
Temp	Model	S.No.	Phase

DATE (BEFORE STRIPPING OFF THE WINDING)

- ★ No. of slots
- ★ No. of coils
- ★ No. of coils in R/W
- ★ No. of coils in S/W
- ★ Pole pitch
- ★ Coil pitch
- ★ Type of winding
- ★ Type of connections
- ★ No. of coils per coil group in running and starting winding.

DATA (AFTER STRIPPING OFF THE WINDING)

- ★ Nomenclature, type and size of coil insulation.
- ★ Nomenclature, type and size of coil insulation.
- ★ Coil size.
- ★ Size and type of wire.
- ★ No. of turns in running and starting winding coils in different pitch.

PRECAUTIONS

- ★ Must put the punch mark on the end covers and the body, before removing the end plates.
- ★ While dismantling see that no damage is caused to the centrifugal switch on any other part of the motor.
- ★ Must note all the data very carefully in sequence and ensure that no parameter is left out.
- ★ Thoroughly clean the motor before winding without causing any damage to the cores.
- ★ Ensure that the former is of exact dimensions.
- ★ Check the insulation resistance of the running and starting windings, to each and between them.
- ★ While dismantling and assembling ensure that no damage is caused to the windings.
- ★ Pre-heat before impregnation to dry the moisture.

These may affect the life of and damage the insulation.

EXERCISE NO. 6

AIM

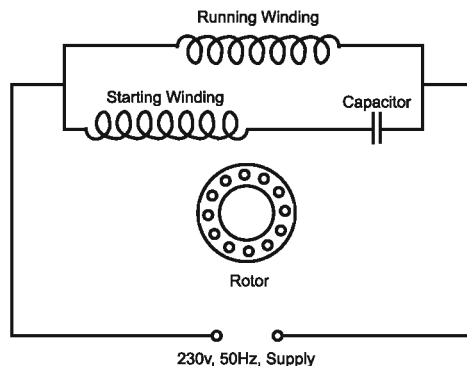
- I. To prepare the starting coil by concentric method for AC, 230V, 36 Slots, 4 Poles capacitor start induction run motor.
- II. To insert the starting coils in stator slots and to connect the end connections.
- III. To conduct the earth test and continuity test.

RELATED INFORMATION

Single-phase motor has two main parts, stator and rotor. The stator is provided with starting and running winding with a phase shift of 90° electrical. These windings are made from super enamelled copper wire and housed in a stator slot (semi-closed) with adequate slot insulation. The running windings is connected in parallel with the starting winding having a capacitor in series. The arrangement is shown in the figure.

The capacitor creates a 90° phase lead of current in the starting windings. It makes the single-phase induction motor self-starting.

During the course of normal working life the insulation of the winding becomes weak due to ingress of moisture, over-heating, high reactance voltage, fluctuation at the time of switching on and off.



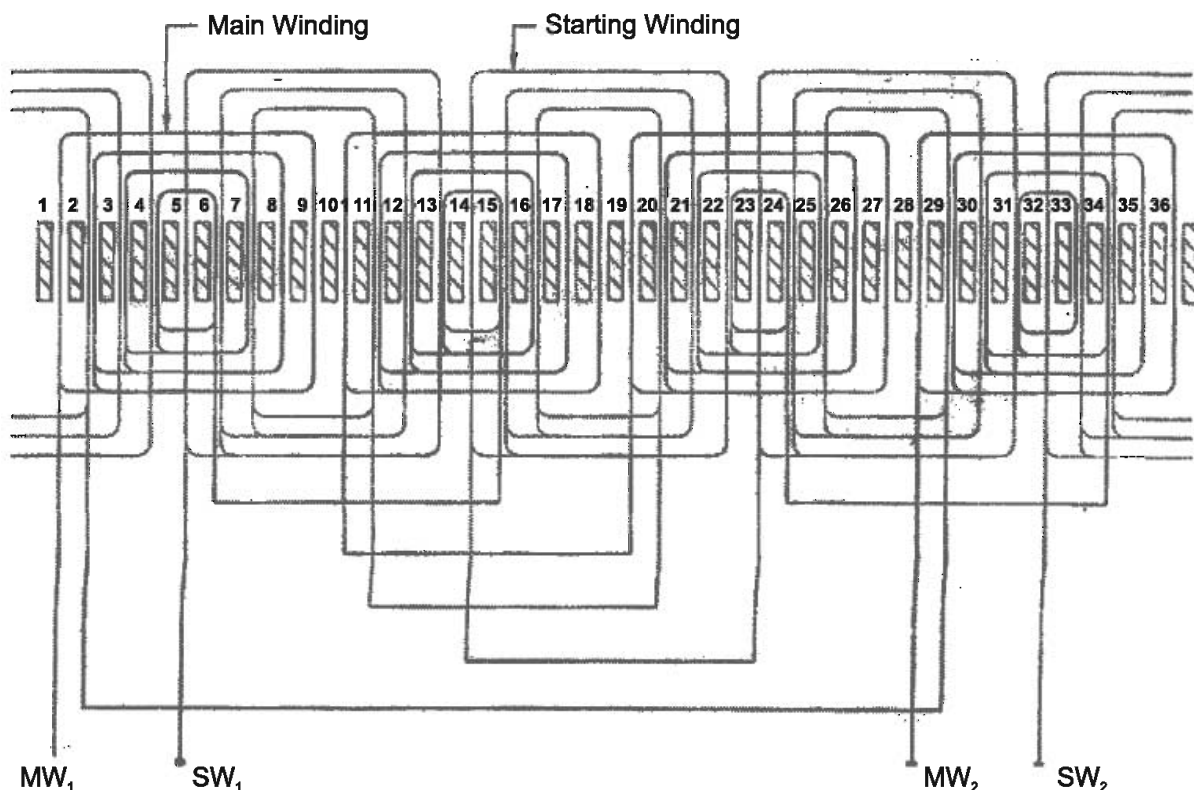
These may affect the life of and damage the insulation.

If the machine has electrical fault (short circuit, burnt winding, earth fault, or open circuit), it will always need rewinding.

For rewinding, data are normally collected from the old winding damaged winding of a similar machine.

EQUIPMENT AND MATERIALS

Sl. No.	Item	Quantity
1	Insulation tester (megger) 500 volt	1
2	Amperemeter 0-5A	1
3	Test lamp	1
4	Slot drift	1
5	Knife	1
6	Common hand tools	1 set
7	D.E. spanner set asserted 6mm – 24mm	1 set
8	Scissors	1
9	Hammer 1 lb	1
10	Mallet plastic	1
11	Wooden log of required size	1
12	Pulley puller 12”	As required 1 each
13	Bearing puller 6”	
14	Allen key set	1
15	Electric soldering iron 230V, 250W	1
16	Rasp cut file H.R. 20 cm	1
17	Smooth file H.R. 20cm	1
18	Two feet four-fold wooden foot rule	1
19	Tennon saw	1
20	Hand drill machine with required drill bits	1
21	Wooden plank	1
22	Wood screw assorted as required	1
23	Empire sleezes 1,2,4 mm	3 mtrs
24	Super enamelled wires	
25	White cotton tape 10mm	1 roll
26	Twine thread Modi No. 2	10 mtrs
27	Milindex paper or polyster film 5 mill.	50 gms
28	Soldering flux and solder, Resin core solder	5 gms
29	Insulating varnish DR Becks Elmo 65 ER	½ ltr



AC Single Phase 36 Slots 4 pole Concentric winding diagram

PROCEDURE

- ★ Prepare a job card for the work.
- ★ Note down the name plate data before dismantling the motor.
- ★ Dismantle the motor after making the end-plates with punch marks.
- ★ Note down the coil data before stripping off the damaged winding.
- ★ Strip off the damaged coils
- ★ Prepare a winding diagram.
- ★ Clean the stator's slot and remove the burnt insulation.
- ★ Record the data of the coils, both running and starting winding.
- ★ Record the data of the turns in each coils group.
- ★ Line the slots with the required type and size of insulating materials.
- ★ Make the former as per the dimensions of the removed coil.
- ★ Wind one test coil on the former, insert it in the slot and check its dimension.
- ★ Change the former, if necessary, and wind the coils.

- ★ Insert the coils in the slot as per first data; the running winding and then starting winding over it.
- ★ Connect the coils in both running and starting winding as per the data/diagram to produce North and South poles.
- ★ Solder the connections and put sleeves.
- ★ Tape the windings on both sides and press to shape.
- ★ Insert wedge of fiber or bamboo to size out the slot.
- ★ Connect both winding leads to the terminals on the terminal plate.
- ★ Recheck for untapped joint, sleeves etc. before closing the end plates and reassemble the motor.
- ★ Test the motor for insulation resistance.
- ★ Have a trial run on load and note the parameters e.g. intake current, speed, temperature rise, etc.
- ★ If the trial is successful, dismantle the motor and impregnate with proper insulating varnish.
- ★ Heat the motor in oven with a controlled temperature 80- 100°C for 10 to 12 hours.
- ★ Clean the stator by removing the excessive deposits of varnish on the cores.
- ★ Reassemble the motor and have a trial run on load and no-load.

NAME PLATE DATA MAKE

H.P.	RPM	Volt	Amps
Cycle	Type	Frame	Style
Temp	Model	S.No.	Phase

DATE (BEFORE STRIPPING OFF THE WINDING)

- ★ No. of slots
- ★ No. of coils
- ★ No. of coils in R/W
- ★ No. of coils in S/W
- ★ Pole pitch
- ★ Coil pitch

- ★ Type of winding
- ★ Type of connections
- ★ No. of coils per coil group in running and starting winding.

DATA (AFTER STRIPPING OFF THE WINDING)

- ★ Nomenclature, type and size of coil insulation.
- ★ Nomenclature, type and size of coil insulation.
- ★ Coil size.
- ★ Size and type of wire.
- ★ No. of turns in running and starting winding coils in different pitch.

PRECAUTIONS

- ★ Must put the punch mark on the end covers and the body, before removing the end plates.
- ★ While dismantling see that no damage is caused to the centrifugal switch on any other part of the motor.
- ★ Must note all the data very carefully in sequence and ensure that no parameter is left out.
- ★ Thoroughly clean the motor before winding without causing any damage to the cores.
- ★ Ensure that the former is of exact dimensions.
- ★ Check the insulation resistance of the running and starting windings, to each and between them.
- ★ While dismantling and assembling ensure that no damage is caused to the windings.
- ★ Pre-heat before impregnation to dry the moisture.

These may affect the life of and damage the insulation.

EXERCISE NO. 7

AIM

- To rewind the main winding of AC, 230V salient pole type shaded pole motor.1
- To Test the wound motors.

REQUIREMENTS

TOOLS AND INSTRUMENTS

★ Electrician tool kit	-	1 No.
★ Nylon hammer 5cm dia x 8cm long head	-	1 No.
★ Cold chisel 200mm	-	1 No.
★ Multimeter	-	1 No.
★ Megger 500 volt		
★ Weighing machine 0-3kg with 10g resolution	-	1 No.
★ Scissors 200 mm	-	1 No.
★ Fibre or Hylam knife edge assorted sizes	-	4 Nos.
★ Soldering iron 125W, 240V	-	1 No.
★ Hacksaw frame with blade 300mm	-	1 No.

EQUIPMENT / MACHINES

Burnt out table fan		
★ Shaded pole type	-	1 No.

MATERIALS

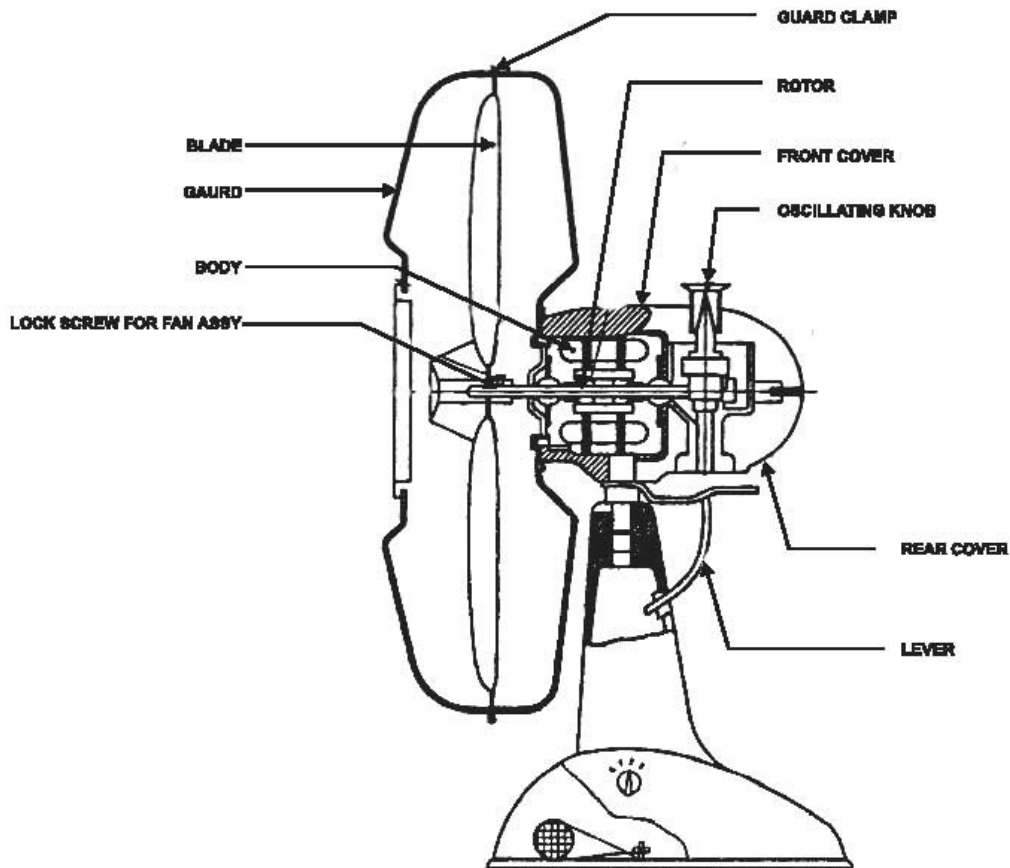
★ Leatheroid paper/Milnex size and quantity	-	as reqd.
★ Super -enamelled copper wire	-	as reqd.
★ Sleeves empire / PVC	-	as reqd
★ Binding/Hemp thred	-	as requd
★ Bamboo wedges	-	as reqd.
★ Insulating varnish (Air-dry)	-	as reqd.
★ Resin-core solder 60% / 40%	-	10g.
★ Fibre sheet 6mm thick	-	as requd

- ★ Fibre foot (to suit the stator slots to the prepared by the electrician himself) - as requd
- ★ Used hacksaw blade - 1 No.

PROCEDURE

TASK1: RECORDING FOR DISMANTLING A TABLE FAN AND COLLECTING OF WIDNING DATA

1. Record the available name-plate details of the table fan in table 1.
2. Remove the guard from the fan body after loosening the guard clamps (Figure. 1)
3. Loosen the lock screq indicated as in Figure 1 of the fan blade and remove the blade assembly from the shaft.
4. Make the identification punch marks on the body as corresponding position on the front and rear end covers of the table fan as referred to in figure 1. Making should be such that the same end cover is fitted to the same side of the body whild assembling.
5. Remove the oscillation mechanism lever screws.
6. Unscreq and remove the rear guard and end nuts.



7. Remove the end covers.
8. Remove the rotor from the stator. Carefully slip the rotor straight out, without damaging the stator coils.
9. Check the bearing for its proper function. If there is any end play replace the bearings.
10. Clean the winding of the fan.
11. Record further possible data in Table 2.

TABLE : 1

NAME-PLATE DETAILS OF INDUCTION MOTOR

Manufacturer

Trade Name

Voltage V

Input/watt W.

Size of fan(Sweep)mm

Number of blades

Type of bearing

Frequency Hz

Serial No.

Type AC/DC

Oscillating mechanism Yes / No.

R.P.M

Class of insulation

No.

TABLE 2

DATA TO BE TAKEN FROM THE STATOR (before removing the coils)

No. of slots No. of poles

Wire insulation windin Hand / Form

Type of connection Whole coil / Half coil

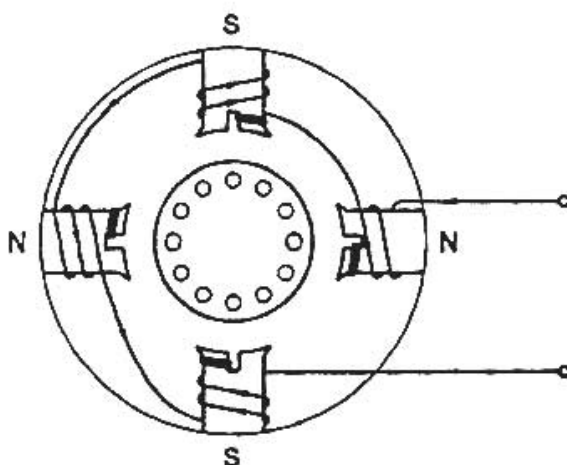
Pole insulation material Size

Type of lead wire size

Type of sleeve and size

TABLE 2A**PROCEDURE FOR REWINDING FIELD COILS OF SHADED POLE MOTOR**

1. Remove the coils from the pole carefully without distorting the shape of the coil and record the data in Table 3, wherever applicable. Normally metal clamps are used to hold the coils in position which are to be removed to dislodge the coils.
2. After removing the coils clean the poles/slots. Note the type of insulating material used around the poles. The same type has to be replaced while rewinding.
3. Follow the steps or skill information Exercise No. 1203 to wind the field coil.
4. After preparation of the field coil, tape and varnish, then insert the coil into the salient poles and connect them according to the original connection. Check for correct polarity and measure the insulation resistance.
5. Assemble the fan and test run the fan.

**TABLE 3**

Description of Winding	Size and Kind of wire	No. of coils	Turns per coil	Weight per coil without wrapped	Total Wt. of the coils without wrapped	Coil pitch	Remarks
Shaded pole type field coils							

EXERCISE NO. 8

AIM

- To rewind a ceiling fan
- To objectives: At the end of this exercise you shall be able to
- To dismantle a ceiling fan(R)
- To Strip the coils from the ceiling fan
- To prepare the winding table and draw the developed diagram
- To prepare the slot liners and insert in the slots(R)
- To prepare the coils for the ceiling fan winding (starting and running)
- To lay the coils in the slots and insulate them(R)
- To make end connections as per data taken(R)
- To solder and insulate the end connections and leads(R)
- To bind with a tape and shape the overhangs(R)
- To test the winding(R)
- To assemble and test the ceiling fan(R)

REQUIREMENTS

TOOLS AND INSTRUMENTS

- | | |
|--------------------------------------|---------|
| ★ Nylon hammer, 5cm dia x 8cm length | - 1 No. |
| ★ Screwdriver 150mm | - 1 No. |
| ★ Insulated cutting pliers 150mm | - 1 No. |
| ★ D.B.knife 100mm | - 1 No. |
| ★ Multimeter | - 1No. |
| ★ Megger 500V | - 1 No |
| ★ Hacksaw frame with blade 300mm | - 1 No |
| ★ Soldering iron 60 W, 250v | - 1 No |
| ★ Scissors 150 mm | - 1 No |

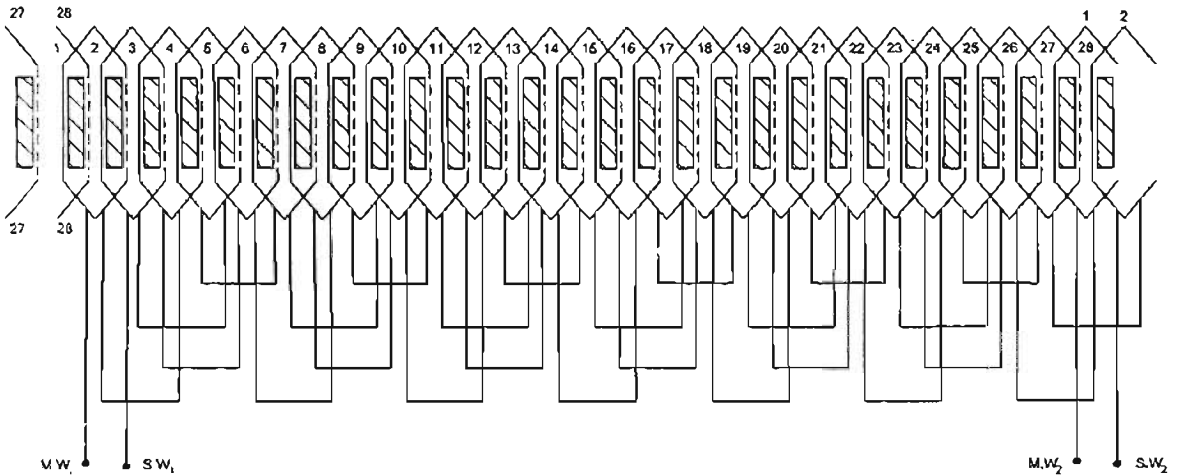
EQUIPMENT / MACHINES

- ★ Ceiling fan 1200 mm sweep (Having burnt our winding) -1 No.

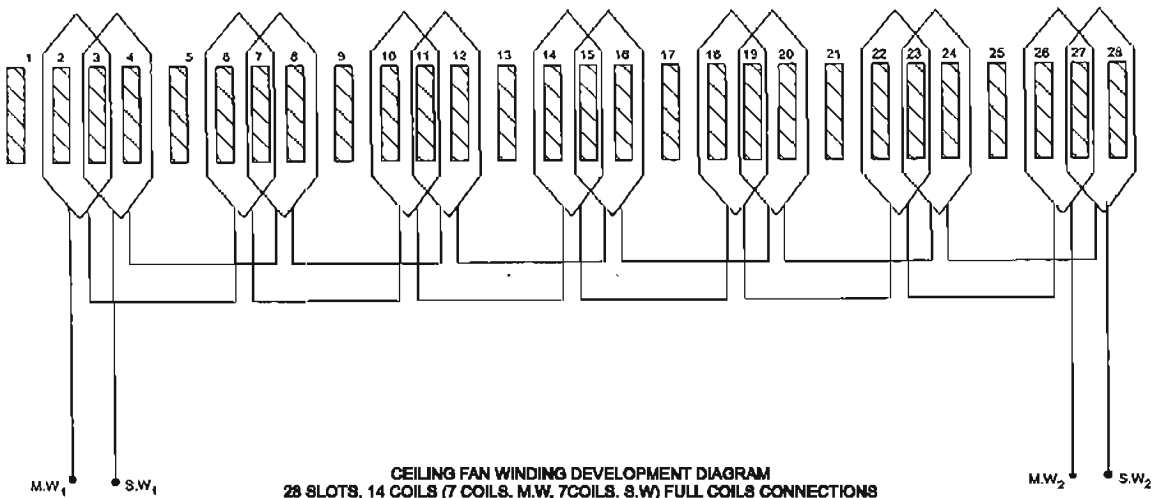
MATERIALS

as required,

- ★ Super -enamelled copper wire
- ★ Leatheroid paper / melinex sheet
- ★ Sleeves empire / P.V.C.
- ★ Binding hemp thread
- ★ Bamboo wedges
- ★ Insulating varnish (air-dry)
- ★ Resin-core solder 60/40
- ★ Connecting lead wires 23/0.2
- ★ Thinner



CEILING FAN WINDING DEVELOPMENT DIAGRAM
28 SLOTS, 28 COILS (14 COILS. M.W, 14COILS. S.W) FULL COILS CONNECTIONS



CEILING FAN WINDING DEVELOPMENT DIAGRAM
28 SLOTS, 14 COILS (7 COILS. M.W, 7COILS. S.W) FULL COILS CONNECTIONS

TABLE - 1

DETAILS OF CEILING FAN

Manufacturer's Name.....
Voltage.....>>>.....V
Frequency.....H,
Input / Watts>>.....W
Size of fan (sweep).....mm
Number of blades.....
Serial No.....
Type AC/DC.....
R.P.M.....
Type of bearing.....No.....
Class of insulation
Bearing make

WINDING DATA

No. of slots
Wire insulation
Type of connection whole coil / Half coil
Pole / slot insulation material
Thickness
No. of poles
Winding : machine / hand / form
Size
Type of Lead wire size
Size of coil Length mm
Width mm

Winding Type	Size and kind of wire	No. of coils	Turns per coil	Weight per coil	Total Weight	Coil Pitch	Remarks
Running							
Stating							

Starting winding is kept in slots.

Running winding is kept in slots.

Overhang measured from the edge of the core Type of binding

Connection leads Size

Capacitor μf Volts Connection diagram (draw in your record)

Developed diagram (draw in your record)

PROCEDURE

TASK1

1. Note the name-plate details of the ceiling fan and enter them in Table 1.
2. Unscrew the fasteners and remove the fan blade. keep the fan blade and fasteners in a safe placen so that fan blade does not gets bent. If it gets bent, it will make unusual sound and air blow will be reduced.
3. Observe the connections in the terminal box. Mark them in a separate sheet of paper and disconnect the connections.
4. Dismantle the fan and remove the stator. Keep all themachince screws and loose parts in a separate tray safely.
5. Untie the end connections from the winding. Trace the connections and draw the end of connection and developed diagrams in your record. Refer to Related Theory Ex.No.1204 for your guidance. Indicate which winding is in the inner slot and which one is in the outer slot. Ascertain whether the connceion is of whole coil or half coil. Enter the details in table 1.
6. Record all possible data in Table 1.
7. Measure the overhang dimesions from the edge of the core and enter the details in Table1.
8. Record the type of binding i n Table 1.
9. Remove all wedges, with the use of a wedge remover or a piece of hacksaw blade having grounded teeth. As the winding is kept in the stationary part of the fan, certain manufactureres use thick leatheroid paper instead of wedges.
10. Leavings one coil each in the starting and running windings cut the overhang end of the coils in the middle at both sides of the core.
11. Remove the coils by pulling the cut ends with the help of pincers or pliers.
12. Record the type, size of wire and number of turns used in both the windings. Record the data in Table 1.
13. Apply thinner on the left over coils, loosen the strands and carefully remove them out of the slots.

14. Measure the weight of one coil each in the starting and main windings as well as the total weight of the coils and enter these details in Table. 1.
15. Set the core if it is mangled and clean the slots.
16. Check the bearing for its condition; if it is found faulty replace the bearing.
17. Select the insulation paper of the same grade and size as in the original and prepare the slot liners in required numbers.
18. Insulate the slots with the prepared slot liners.
19. Make a former according to the old coil size taken in step 13. Generally the size of the running and starting winding will be the same for a ceiling fan.
20. Wind the coil in the former, one each for running and starting winding taking care to maintain the same turns with the same size of winding wire. Check the correctness of the coils. There may be a change in the size of the winding wire as well as change in the number of turns between starting and main winding. Check it.
21. Make the required number of main and starting winding coils.
22. For your guidance, a partial view of the fan stator is shown in Fig. 1. Compare the fan stator in hand with the one shown in Fig. 1. To simplify the procedure, winding as shown in Fig. 1, is referred to the following procedural steps. For example the coil throw is taken as 1-3. In winding the fan stator of your choice, follow the coil throw as notified in the data and modify the given procedure accordingly.
23. Mark the stator slots as shown in Fig. 1. Let the outer slots be numbered in odd and the inner slots in even numbers.
24. Properly fix two guide papers in slot number 2 (inner slot). Ascertain the core end where the connection end should be placed. Winding to be started in the inner slots.
25. Insert one coil side of first coil (running winding) in slot 2. While placing the coils take care to insert the turns in small bunches smoothly. Avoid rubbing of any part of the coil on the core.
26. Shift and place the guide paper in slot 4 and insert the other coil side of the first coil.
27. Use an awl to adjust the coil side placed in slot 4 towards the left side of the slot.
28. Insert one coil side of another coil (say 2nd coil) in slot 4.
29. Use an awl to set it to the right side of the slot 4. Be sure not to damage the winding wire in this process.
30. Use the wedge as in original to close the slot 4.
31. Insert the other coil side of the 2nd coil in slot 6.
32. Proceed in the same manner till you have inserted the coils in the inner slots and wedged them.
33. Insert one coil side of the 1st coil of the starting winding in slot 1 and the other coil side of the same coil in slot 3.

34. Insert one coil side of the 2nd coil of the starting winding in slot 3 and the other coil side of the same coil into slot 5. Wedge slot 3.
35. Proceed in the same manner till you have inserted all the starting winding coils in the outer slots and wedged them.
36. Insert PVC empire sleeves in the winding ends, remove the insulation and connect the coils in series according to the connection diagram recorded in table 1. Refer to related theory Ex. No. 1203.
37. Check the connections referring to the connection diagram at least once.
38. Solder the end connections and pull the sleeves into position.
39. Connect the lead wires, solder them and insert the sleeves.
40. Bind the overhang and the end connections, with the help of a binding thread/tape similar to the original.
41. Shape the overhang using a nylon hammer. Check the dimensions of the overhang at intervals to see the overhang attains a shape as in the original winding so that the winding will not rub with the rotor.
42. Test the winding for insulation leakage, short circuit or open circuit if any, by a multimeter and Megger. Refer information sheet No. 1203.
43. Assemble the fan and run the fan for a few minutes. Refer to Table 1 for connections.
44. If found okay, dismantle the fan, preheat and impregnate the winding with varnish. Refer to Related Theory Ex. No. 1203.
45. After drying remove the excess varnish.
46. Reassemble the fan and test the fan for its performance at least for 8 hours.
47. Check the direction of rotation. The direction of rotation of the fan when viewed from the bottom should be anticlockwise and when viewed from the top it should be clockwise.
48. If found incorrect, change the connections of either the starting or running winding.
49. Use a nylon hammer and shape the overhang to the original size. Check the size of the overhang with the help of an overhang template.

Test the winding

Test the winding and note down the results. Follow the instructions contained in Skill information.

Test the motor

Test run the motor to ascertain its performance.

Tie the hemp thread to bind the soldered joint along with the overhang.

EXERCISE NO. 9

AIM

I. To wind the one phase coils for AC. Three phase 400/440 V, 24 slots, 4 poles stator of squirrel cage induction motor in double layer diamond coil method.

RELATED INFORMATION

Three-phase induction motors are of tow types,

- Squirrel cage induction motor.
- Wound rotor or slip ring induction motor.

The squirrel cage induction motor mainly consists of a stator rotor with bearing on the shaft and end plates to support the rotor bearing at either end of the stator. The stator has an external enclosure of cast iron or cast steel holding a stack made of circular silicon steel stampings with slots cut in the inner periphery. The stack is held inside the bore of the enclosure tightly. Stator winding is housed in the insulated slots of the stator and the connections are taken out to the terminal plate. The rotor is a stack of silicon steel of circular stampings secured on the shaft and have thick aluminium conductor passing through the semiclosed or closed slots and shortened with thick aluminium rings on either side in the cage rotor, and the wound rotor has winding in the insulated semiclosed slots on the outer periphery. The connections are made to three slip-rings mounted on the shaft, but insulated from it.

OPERATION

When 3-phase stator winding is connected to the source, the stator produces a rotating magnetic field. This field induces voltage in the rotor conductors which results in the flow of heavy current in shortened conductors.

The magnetic field due to the rotor current interacts with the stator field, and the rotor experiences a torque and rotates in the same direction as the main field. As no supply is given to the rotor, its voltage and resultant current is due to mutual induction. Hence the motor is known

as induction motor. The stator field rotate at a synchronous speed which is = $\frac{2f \times 60}{\text{No. of Poles}}$

$$\begin{aligned} \text{i.e. of two poles machine} &= \frac{2 \times 50 \times 60}{2} \\ &= 3000 \text{ rpm at } 50 \text{ Hz} \end{aligned}$$

Rotor speed is less than synchronous speed and this difference is known as slip and expressed as % of synchronous speed.

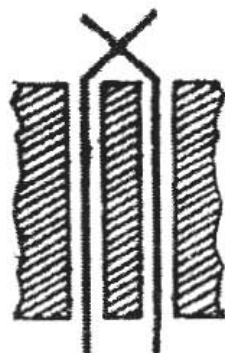
$$\begin{aligned} \text{Slip} &= \frac{NS - NR}{NS} \\ &= \frac{3000 - 2800}{3000} \\ &= \frac{200 - 0.06 \text{ or } 6\%}{3000} \end{aligned}$$

Where actual r.p.m. NR = 2800

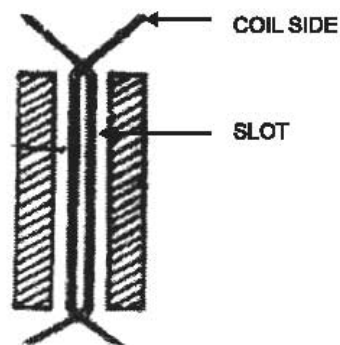
Synchronous r.p.m. NS = 3000

WINDING

Stator winding can be single layer where each slot has only one coil side number, the number of coils being half the number of the slots. Double layer has as many coils as the number of slots and each slot has two sides of two different coils.



(A) SINGLE LAYER



(B) DOUBLE LAYER

The entire stator slots are equally divided for 3 phases and for a number of poles. A 24 slot stator, wound for 4 poles, will have :

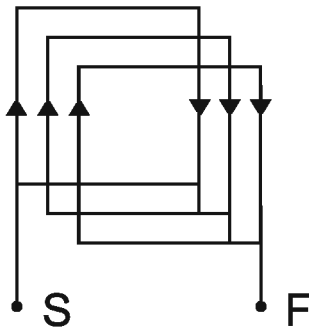
$$\text{No. of slots/phases} = \frac{24}{3} = 8$$

$$\text{No. of slots per phases per poles} = \frac{24}{3 \times 4} = 2$$

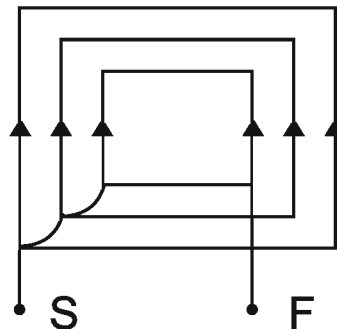
WINDING PITCH

A full pitch coil has its 2 sides 180° apart. A coil group may have two, three or more number of coils connected in series for one pole in the winding. When all the coils are of the same size in the group they are inserted one in each slot with the same pitch, i.e. 1 @ 6, 2 @ 7, 3 @ 8 and so on. Such winding is known as progressive chain winding. But when a group has two, three or more coils positioned one inside the other, they will have different pitches, i.e. 1 @ 8, 2 @ 7, 3 @ 6 and are known as concentric coils or winding.

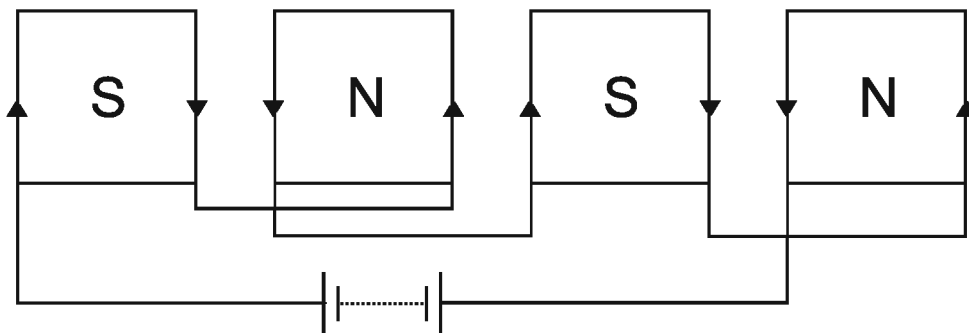
In a three – phase winding, the winding is displaced 120° (electrical) apart. The start of three phases must be 120° apart and so will be the ends.



(a) PROGRESSIVE COIL



(b) CONCENTRIC COIL



Interconnection of the coils of a four-pole induction motor

WINDING CONNECTIONS

Coils or coil groups for each phase are connected in such a way that they produce alternate north and south poles.

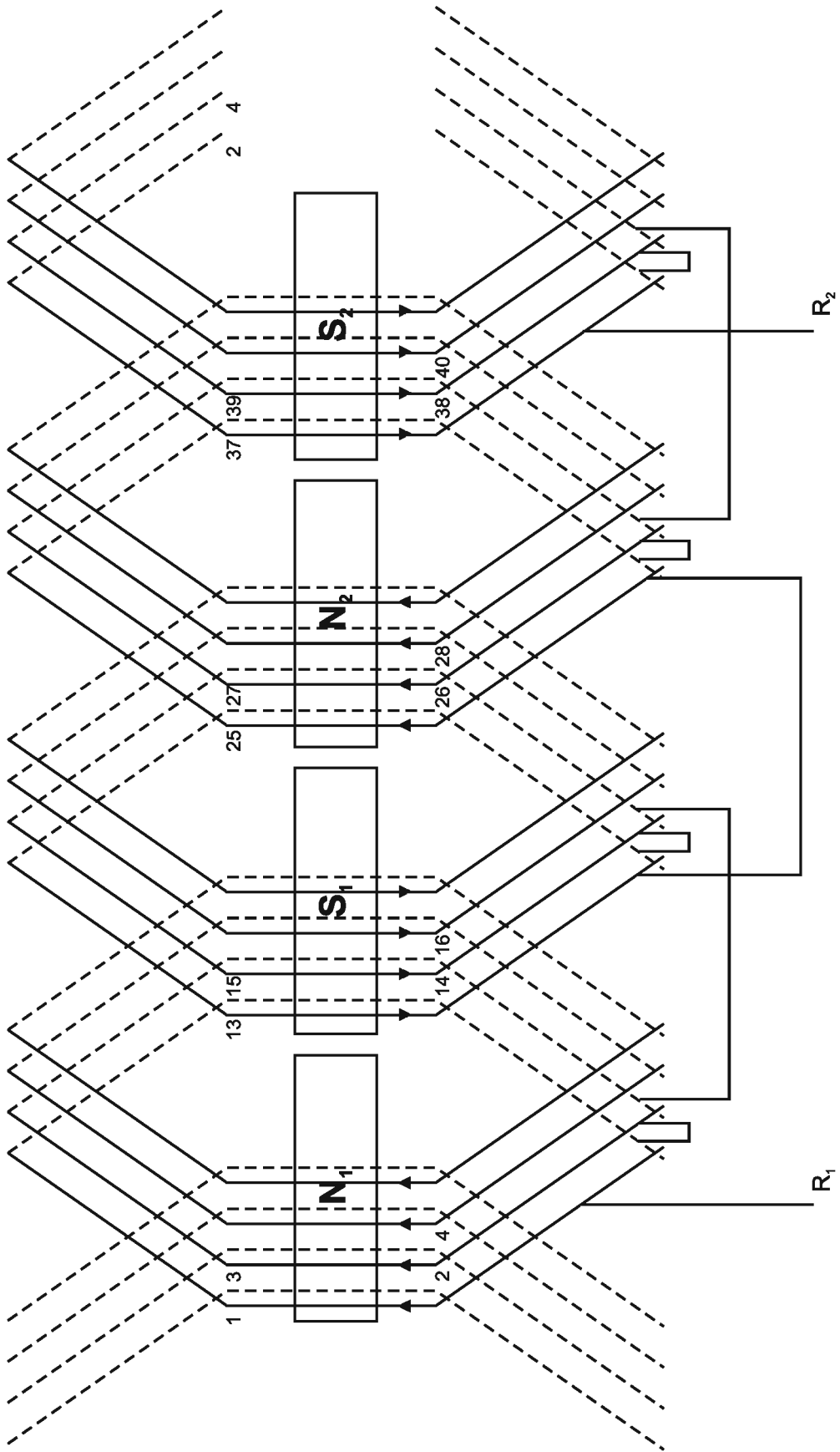
EQUIPMENT AND MATERIALS

Sl. No.	Item	Size	Quantity
1	Insulated combination pliers	20cm	1
2	Insulated wire cutter	20cm	1
3	Insulated screw driver	20cm	1
4	Insulated screw driver	15cm	1
5	Knife	15cm	1
6	Ball pein hammer	250 gms	1
7	Micro meter 0.25 mm		1
8	D.E. spanner set metric		1 set
9	Soldering iron 35/75 watt	230 volts	1 each
10	Megger 50 volts		1
11	Ammeter 0-10 amp	Moving iron	1
12	Volt meter 0-500 volts	Moving iron	1
13	Series test lamp		
14	Super enamelled wire size/quantity can be calculated after dismantling the defective coil of the motor		
15	Cotton tape 20mm in breadth		
16	Leatheroid paper 5 mills/10 mills		
17	Empire Sleeves 2mm 4mm		
18	Bamboo strip (used for making wedges for slots)		
19	Insulating varnish		
20	Binding thread		
21	solder flux		
22	Solder paste		

Serial No.	Horse Power	RPM
Voltage	Current	Frequency
Insulation	Rating	Connections

PROCEDURE

- ★ Mark the position of the end plates with respect to the body with the centre punch marks.
- ★ Prepare a repair card for the motor with the information from the rating plate e.g.
- ★ Dismantle the motor, remove the rotor and inspect the winding.
- ★ Note the length of the over-hang in the stator on either side, and measure the inside and outside diameter of the winding head and record on the card.
- ★ Expose the connections, note, and check the inter-coil connections.
- ★ Check the coil pitch, the type of the winding and the number of coils in each set and note.
- ★ Cut the winding, clean the stator, note the number of turns in each coil and the size of the wire.
- ★ Thoroughly clean the stator, blow out with compressed air or wash in dilute solution of caustic soda, rinse in water and dry in oven.
- ★ Insulate the stator slots with suitable insulating material.
- ★ Make wooden former, wind coil with the original size of wire and number of turns.
- ★ Insert the coils in the slots to the noted winding pitch, close the slots with the slot covers and wedges.
- ★ Shape the winding, and connect each phase coils by soldering with resin-cored solder and slide sleeve on the joints.
- ★ Tie the winding head after inserting the inter-phase insulation with thread or cotton tape.
- ★ Check the polarity with a compass by connecting low voltage D.C. for each phase.
- ★ Assemble the motor, check insulation of each phase with respect to phase and earth.
- ★ Connect the motor to 3-phase supply and check the current drawn by each phase and note if balanced.
- ★ Dry the stator in oven, varnish and bake in oven for 10 hrs. at 85°C to 100°C.
- ★ Clean the stator, assemble the motor, make connections to the terminal plate and test for functional test.



AC 24 Slots 4 pole R Phase Coil Developed winding diagram

TABULAR RECORD FOR THREE-PHASE SIX-POLE MOTOR

Stator mech deg	360°	Span of full pitch	180°	No of coils No of slots	36
Elect degrees	$360 \times \frac{6}{2}$	winding pitch	1 → 6	No of coils per phase	$\frac{36}{3} = 12$
No. of slots	36	Phase displacement	120°	No of coils per pole	$\frac{12}{6} = 2$
Degrees per slot	$\frac{360}{36} \times \frac{6}{2} = 30$	Starts of Phases	Slot no. 1, 5 & 9	Coils / group	2

PRECAUTIONS

- ★ While inserting coils take care not to scratch the wire enamel insulation.
- ★ Insert few turns at a time and see that they lie straight inside without kinks.
- ★ Keep the start of all the coils/coil groups on one side and ends on the other side for easy identification.

EXERCISE NO. 10

AIM

- 1) To insert the already wound one phase coils for AC, 3 phase, 400/440V, 24 Slots, 4 Poles stator of squirrel cage induction motor in double layer method.
- 2) To connect the end connection and conduct the earth test and continuity test.

REQUIREMENTS

TOOLS AND INSTRUMENTS

★ Electrician tool kit	-	1 Set
★ Double end spanner 5mm to 30mm	-	1 Set
★ Cold chisel 25mm dia. x 200mm long	-	1 No.
★ Nylon hammer 50mm dia. x 100mm	-	1 No.
★ Pulley puller 200mm with 3 jaws	-	1 No.
★ Outside micrometer 0-25mm	-	1 No.
★ Spring balance or weighing machine		
★ 0-3kg having 10g resolution	-	1 No.
★ Steel rule 300mm	-	1 No.
★ Scissors 200mm	-	1 No.
★ Fibre or Hylam knife edge assorted sizes	-	4 Nos.
★ Soldering iron 60W, 240V	-	1 No.
★ Multimeter 20K ohms / Volt	-	1 No.
★ Megger (Insulation tester) 500V	-	1 No.
★ Ammeter MI (Multi-range) 0-5A, 10A	-	1 No.
★ Multi-range voltmeter M.I. 0-300V-500V	-	1 No.
★ Tachometer 0-500-5000 r.p.m	-	1 No.
★ Allen key 3mm to 12mm	-	1 Set.
★ Ready made stepped former universal size	-	1 Set.
★ Awl of required length and thickness	-	1 No.

EQUIPMENT / MACHINES

★ Burnt out 3-phase motor with double layer distributed winding of available capacity	-	1 No.
---	---	-------

MATERIALS

★ Super -enamelled copper wire	-	as reqd.
★ Milinex paper or triplex paper size&qty	-	as reqd.
★ Fibre glass or empire sleeves 1mm,		
★ 2mm, 4mm, 6mm	-	as reqd.
★ Bamboo/fibre wedges	-	as reqd.
★ Used hacksaw blade 300mm x 12mm	-	2 Nos.
★ Painting brush 25mm	-	1 No.
★ Insulating varnish	-	1 litre.
★ Thinner	-	500 ml.
★ Hemp thread	-	1 roll.
★ Cotton tape 20mm or 25mm	-	1 roll.
★ Resin-core solder - tin 60% / 40%	-	100g.
★ Soldering flux	-	25g.

PROCEDURE

TASK1: RECORDING WINDING DATA AND STRIPPING THE WINDING

1. Record the name-plate details in Table-1.
2. Make punch marks on the end covers and yoke for easy reassembly.
3. Dismantle the motor by separating the pulley, bearing cap, fan etc. Remove the end covers and then the rotor by taking all the precautions.
4. Inspect the rotor and bearings for their condition. If found faulty, repair or replace them.

TABLE : 1

NAME-PLATE DETAILS OF INDUCTION MOTOR

Manufacturer Serial No. Frame

Outputkw Phase Frequency Hz

Voltage V connection Y D current Amps

Speed r.p.m. Duty cycle insulation class

5. Record the available data in Table 2.

6. Identify the position of the connection lead side with respect to the terminal box and write down in Table 2.
7. Remove the connection leads from the terminal plate.
8. Use a thinner in the connection lead side to loosen the varnish and locate the end connections.
9. Identify the end connections and draw the end connection diagram in your record indicating the sequence.
10. Measure the overhang at both sides of the winding. Record in Table 2 and prepare the template.
11. Record the possible data at this stage in addition to number of slot coil pitch etc. and enter in Table 2.
12. Cut a few coils with help of cold chisel or side cutter at the opposite side of connection lead. (Normally load side).
13. Remove the coils from the stator slot by pulling the wires with pliers. If it is hard, heat them by a blowlamp, and then pull them out. Remove a few coils one by one in a sequential order. Remove at least two coils without cutting so that they could be used for measurement.
14. Record the details of the existing slot insulation in Table 2.
15. Record the type and diameter of the winding wire as well as particulars of the end connection leads in Table 2.
16. Record the type of coil winding and number of coils in table 2.
17. Record the weight of one coil and also the total weight of all the coils in Table.

TASK 2 : THE WINDING CALCULATION AND THE DEVELOPED DIGRAM

For easy understanding of the steps a 24 slots, 24 coil, 4-pole, 3-phase motor is considered as an example. For the motor given as an example winding calculations are as under.

$$\begin{aligned}
 1. \text{ No. of coils / phase} &= \frac{\text{Total No. of coils}}{\text{No. of phases}} \\
 &= \frac{24}{3} = 8 \text{ coils} \\
 2. \text{ No. of coils / phase / poles} &= \frac{\text{Total No. of coils}}{\text{No. of phases} \times \text{No. of Poles}} \\
 &= \frac{24}{3 \times 4} = 2 \text{ coils/phase/pole.}
 \end{aligned}$$

$$3. \text{ Pole pitch} = \frac{\text{No. of Slots}}{\text{No. of Poles}} = \frac{24}{4} = 6 \text{ slots/pole}$$

4. Coil pitch possible
 A 5(1 to 6) Short chorded
 B 6(1 to 7) Full pitched
 C 7(1 to 8) Long chorded

5. Coil pitch selected = 5 (1 to 6)

6. Coil pitch selected is short chorded.

$$7. \text{ Total electrical degrees} = 180 \times \text{No. of poles}$$

$$= 180 \times 4 = 720$$

$$8. \text{ Slot distance in degree} = \frac{\text{Total electrical degree}}{\text{No. of slots}}$$

$$= \frac{720}{24} = 30$$

$$9. \text{ Reqd. displacement between phases in terms of slots} = \frac{120}{\text{Slot distance in degrees}}$$

$$= \frac{120}{30} = 4 \text{ slots}$$

10. Winding sequence

If 1st phase starts in the 1st slot.

2nd phase starts in the (1+4) i.e. in 5th slot.

3rd phase starts in the (5+4) i.e. in 9th slot.

11. Arrangement of coils

The coils are to be arranged in the slots in the sequence.

1-6, 2-7, 3-8, 4-9, 5-10, 6-11, 7-12, 8-13, 9-14, 10-15

11-16, 12-17, 13-18, 14-19, 15-20, 16-21, 17-22,

18-23, 19-24, 20-1, 21-2, 22-3, 23-4, 24-5.

TABLE 2

DATA TO BE TAKEN FROM THE STATOR (before removing the coils)

No. of slots No. of coils Coils per group

Group connectors

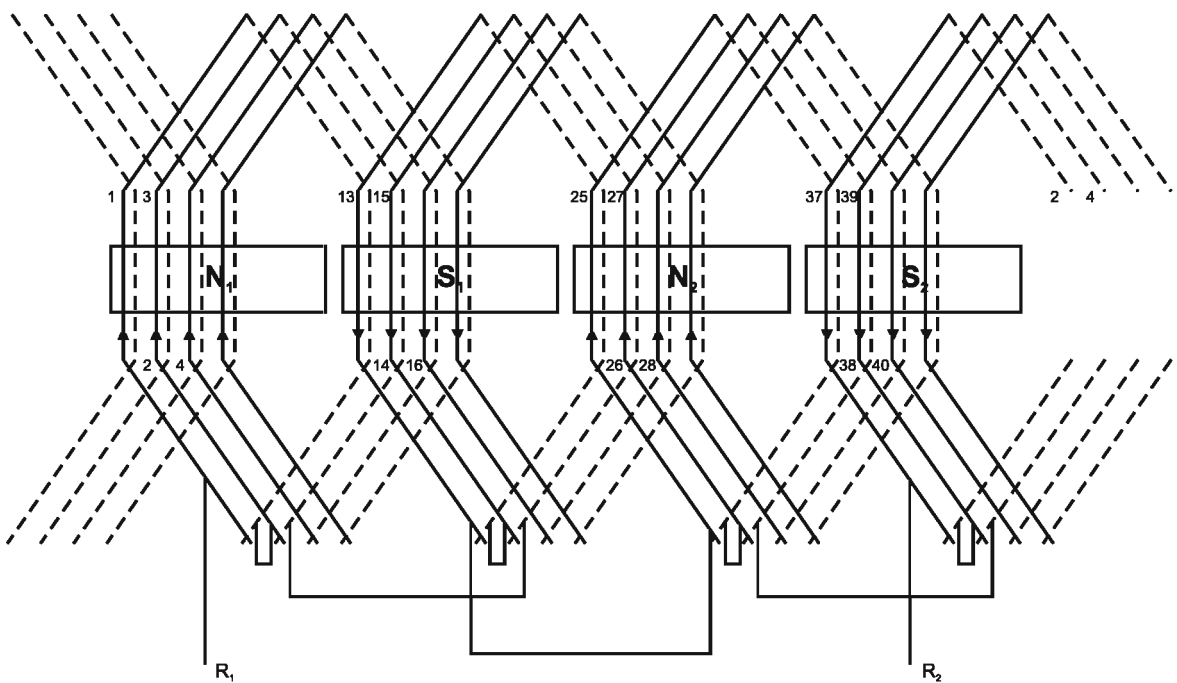
Wire insulation

Coil throw Type of winding Distribution / concentric

Wedge material Size Binding material size

Overhang dimension Out dia. mm Inner dia mm

Length mm Shape (make template).



AC 24 Slots 4 pole R Phase Coil Developed winding diagram

DATA TO BE TAKEN (after removing the coils)

Size of wire mm No. of parallel wires No. of turns

Size of coil length mm (inside) width mm (inside) Thickness mm

Type of sleeve, size Type of lead size

- 1.
- 2.
- 3.

Slot insulation Type Thickness Dimension

Type of coil Number of coils

Weight of single coil Weight of the total winding

Front end bearing number Rear end bearing number

Size of connection lead

Connection lead side with respect of terminal box

1. No. of coils / phase = $\frac{\text{Total No. of Coils}}{\text{No. of Phases}}$

= coils

2. No. of coils / phase / poles = $\frac{\text{Total No. of Coils}}{\text{No. of Phases} \times \text{No. of Poles}}$

= slots/poles.

3. Pole pitch = $\frac{\text{Total No. of Slots}}{\text{No. of Poles}}$

= slots / poles

4. Coil pitch possible A.....
 B.....
 C.....

5. Coil pitch as per the data collection is

6. Coil pitch selected is
 (short chorded/full pitched/ long chorded)

7. Total electrical degrees = $180 \times \text{No. of poles}$
 = $180 \times \dots = \dots$

8. Slot distance in degree = $\frac{\text{Total electrical degree}}{\text{No. of slots}}$

9. Reqd. displacement between phases in terms of slots = $\frac{120}{\text{Slot distance in degree}}$

10. Winding sequence

If 1st phase starts in the

2nd phase starts in the

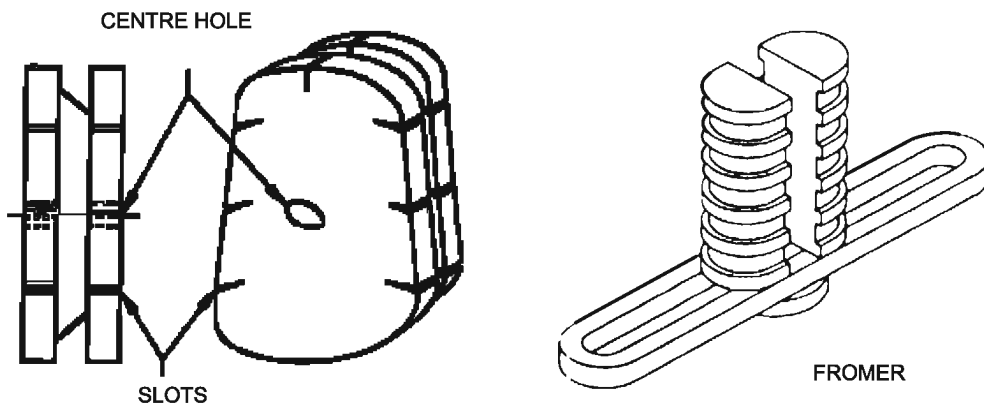
3rd phase starts in the

11. Arrangement of coils

The coils are to be arranged in the slots in the sequence.

Draw the connection diagram and the developed diagram for the motor given to you, on a separate paper.

TASK 3 : PREPARING THE STATOR TO RECEIVE THE WINDING



1. Set the core, if it is mangled (lightly tap with a nylon mallet to correct the core) and clean the slot to remove any old insulation paper.
2. Select the insulation paper of the same grade and thickness or its equivalent as in the original and cut the insulation paper to the same size. Slot insulation paper must be approximately 10 to 15mm longer than the slot length and is to be formed according to the shapes of the inner walls of the slot. The ends of the insulation are often cuffed to avoid the insulation paper from sliding off from its position.

TASK 4 : PREPARING COILS

1. Make a ganged former or select a readymade former according to the old coil size as shown in figure 3 and 4.
2. Select the correct size of winding wire as per the data taken.
3. Attach the former to the winding machine, wind the designated turns and make one set of ganged coils.

4. Insert the ganged coils in the designated slots and check their correctness. While checking make sure that the coils are of the correct dimension so that the two coil sides could be accommodated as top and bottom coils sides in the same slot of the double layer winding, and the overhang dimensions are comparable to the template (as in the original).
5. If coils dimension are correct, make necessary sets of ganged coils. In the example given, two coils are forming the gang. Choose the former according to the number of gang coils.

TASK 5 : LAYING COILS IN DOUBLE LAYER WINDING

Carefully examine the developed diagram in which the slot pitch is given as 1-6 and there will be two coils in a group. The left coil side of coil 1 is in slot 1 as bottom coil and the right coil side of coil 1 is in slot 6 as top coil. In double layer winding the coil sides should be placed in adjacent slots. Modify the procedure to suit the requirement of the given motor winding.

1. Insert the left coil side of the first set to ganged coils in slots 1 and 2.
2. Leave the right coil sides of the ganged coils over the stator with a leatheroid insulation paper between the coils sides and core.
3. Likewise inset two more sets of ganged coils in slot numbers 3,4,5 and 6 as shown in Fig. 5.
4. Place a separator insulation over the bottom coils side of slot 6.
5. Now insert the right coil side of the 1st coil in slot number 6 as the top coil side.

TASK 6 : CONNECTION OF GROUP LEADS - TESTING AND VARNISHING

1. Bring out the group ends, connect, solder and insulate the groups as shown in Figure 6.
2. Connect the lead cables to the group connections and solder them.
3. Tie the hemp threads in the overhangs, to secure sleeved joints and phase separator insulations.
4. Shape the overhangs and check with a template.
5. Test the winding for continuity and ground.
6. Assemble the motor if the test results are satisfaction and run it for ten minutes.
7. If the results are O.K. dismantle the motor, impregnate the windings and dry them.
8. Assemble and test the motor on load.

EXERCISE NO. 11

AIM

To wind the one phase coils for AC three phase 400/440V, 36 Slots, 4 Poles stator of squirrel cage induction motor in single layer diamond coil method.

REQUIREMENTS

TOOLS AND INSTRUMENTS

★ Electrician tool kit	-	1 Set
★ Double end spanner 5mm to 30mm	-	1 Set
★ Cold chisel 25mm dia. x 200mm long	-	1 No.
★ Nylon hammer 50mm dia. x 100mm	-	1 No.
★ Pulley puller 200mm with 3 jaws	-	1 No.
★ Outside micrometer 0-25mm	-	1 No.
★ Spring balance or weighing machine		
★ 0-3kg having 10g resolution	-	1 No.
★ Steel rule 300mm	-	1 No.
★ Scissors 200mm	-	1 No.
★ Fibre or Hylam knife edge assorted sizes	-	4 Nos.
★ Soldering iron 60W, 240V	-	1 No.
★ Multimeter 20K ohms / Volt	-	1 No.
★ Megger (Insulation tester) 500V	-	1 No.
★ Ammeter MI (Multi-range) 0-5A, 10A	-	1 No.
★ Multi-range voltmeter M.I. 0-300V-500V	-	1 No.
★ Tachometer 0-500-5000 r.p.m	-	1 No.
★ Allen key 3mm to 12mm	-	1 Set.
★ Ready made stepped former universal size	-	1 Set.
★ Awl of required length and thickness	-	1 No.

EQUIPMENT / MACHINES

★ Burnt out 3-phase motor with double layer distributed winding of available capacity	-	1 No.
---	---	-------

MATERIALS

★ Super -enamelled copper wire	-	as reqd.
★ Milinex paper or triplex paper size&qty	-	as reqd.
★ Fibre glass or empire sleeves 1mm,		
★ 2mm, 4mm, 6mm	-	as reqd.
★ Bamboo/fibre wedges	-	as reqd.
★ Used hacksaw blade 300mm x 12mm	-	2 Nos.
★ Painting brush 25mm	-	1 No.
★ Insulating varnish	-	1 litre.
★ Thinner	-	500 ml.
★ Hemp thread	-	1 roll.
★ Cotton tape 20mm or 25mm	-	1 roll.
★ Resin-core solder - tin 60% / 40%	-	100g.
★ Soldering flux	-	25g.

PROCEDURE

TASK1: RECORDING WINDING DATA AND STRIPPING THE WINDING

1. Record the name-plate details in Table-1.
2. Make punch marks on the end covers and yoke for easy reassembly.
3. Dismantle the motor by separating the pulley, bearing cap, fan etc. Remove the end covers and then the rotor by taking all the precautions.
4. Inspect the rotor and bearings for their condition. If found faulty, repair or replace them.
5. Record the available data in Table 2.
6. Identify the position of the connection lead side with respect to the terminal box and write down in Table 2.
7. Remove the connection leads from the terminal plate.
8. Use a thinner in the connection lead side to loosen the varnish and locate the end connections.
9. Identify the end connections and draw the end connection diagram in your record indicating the sequence.
10. Measure the overhang at both sides of the winding. Record in Table 2 and prepare the template.

11. Record the possible data at this stage in addition to number of slot coil pitch etc. and enter in Table 2.
12. Cut a few coils with help of cold chisel or side cutter at the opposite side of connection lead. (Normally load side).
13. Remove the coils from the stator slot by pulling the wires with pliers. If it is hard, heat them by a blowlamp, and then pull them out. Remove a few coils one by in a sequential order. Remove at least two coils without cutting so that they could be used for measurement.
14. Record the details of the existing slot insulation in Table 2.
15. Record the type and diameter of the winding wire as well as particulars of the end connection leads in Table 2.
16. Record the type of coil winding

TABLE : 1

NAME-PLATE DETAILS OF INDUCTION MOTOR

Manufacturer Serial No. Frame
 Outputkw Phase Frequency Hz
 Voltage V connection Y D current Amps
 Speed r.p.m. Duty cycle insulation class

TASK 2 : THE WINDING CALCULATION AND THE DEVELOPED DIAGRAM

For easy understanding of the steps a 36 slots, 18 coil, 4-pole, 3-phase motor is considered as an example. For the motor given as an example winding calculations are as under.

$$1. \text{ Total No. of coils} = \frac{\text{slots}}{2} = \frac{36}{2} = 18 \text{ coils (single layer)}$$

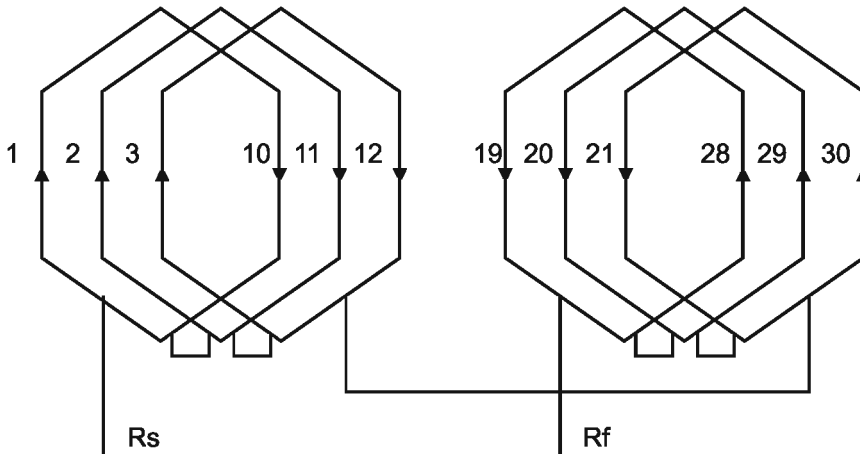
$$2. \text{ No. of coils/phase} = \frac{\text{Total No. of coils}}{\text{No. of Phase}} = \frac{18}{3} = 6 \text{ coils}$$

$$3. \text{ No. of coils/phase/poles} = \frac{\text{Total No. of coils}}{\text{No. of Phase} \times \text{No. of Poles}} = \frac{18}{3 \times 4} = 1.5$$

3. Pole pitch = $\frac{\text{No. of slots}}{\text{No. of Poles}} = \frac{36}{4} = 9 \text{ slots/pole}$

4. Coil pitch possible = 1 to 10

R			Y			B		
1	-	10	4	-	13	7	-	16
2	-	11	5	-	14	8	-	17
3	-	12	6	-	15	9	-	18
19	-	28	22	-	31	25	-	34
20	-	29	23	-	32	26	-	35
21	-	30	24	-	33	27	-	36



AC 36 Slots 4 Poles R Phase Developed Single Layer winding diagram

TABLE 2

DATA TO BE TAKEN FROM THE STATOR (before removing the coils)

- No. of slots No. of coils Coils per group
- Group connectors
- Wire insulation
- Coil throw Type of winding Distribution / concentric
- Wedge material Size Binding material size
- Overhang dimension Out dia. mm Inner dia mm
- Length mm Shape (make template).

DATA TO BE TAKEN (after removing the coils)

Size of wiremm No. of parallel wires No. of turns

Size of coil length mm (inside) widthmm (inside) Thicknessmm

Type of sleeve, size Type of lead size

1.

2.

3.

Slot insulation Type Thickness Dimension

Type of coil Number of coils

Weight of single coil Weight of the total winding

Front end bearing number Rear end bearing number

Size of connection lead

Connection lead side with respect of terminal box

1. No. of coils/ phase = $\frac{\text{Total No. of coils}}{\text{No.of Phase}}$

= coils

2. No. of coils/ phase/ poles = $\frac{\text{Total No. of coils}}{\text{No.of Phase} \times \text{No. of Poles}}$

= slots/poles.

3. Pole pitch = $\frac{\text{No. of slots}}{\text{No.of Poles}}$ = slots/ poles

4. Coil pitch possible

A.....

B.....

C.....

5. Coil pitch as per the data collection is

6. Coil pitch selected is

(short chorded/full pitched/ long chorded)

7. Total electrical degrees = $180 \cdot \text{x No. of poles}$

= $180 \cdot \text{x} \dots = \dots$

8. Slot distance in degree $= \frac{\text{Total electrical degree}}{\text{No. of Slots}}$

9. Reqd. displacement between phases in terms of slots $= \frac{120}{\text{Slot distance in degree}}$

10. Winding sequence

If 1st phase starts in the

2nd phase starts in the

3rd phase starts in the

11. Arrangement of coils

The coils are to be arranged in the slots in the sequence.

Draw the connection diagram and the developed diagram for the motor given to you, on a separate paper.

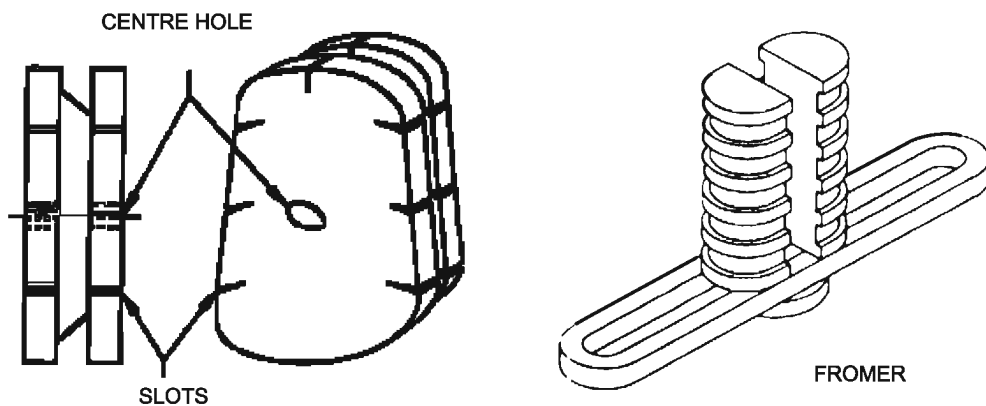
TASK 3 : PREPARING THE STATOR TO RECEIVE THE WINDING

1. Set the core, if it is mangled (lightly tap with a nylon mallet to correct the core) and clean the slot to remove any old insulation paper.
2. Select the insulation paper of the same grade and thickness or its equivalent as in the original and cut the insulation paper to the same size. Slot insulation paper must be approximately 10 to 15mm longer than the slot length and is to be formed according to the shapes of the inner walls of the slot. The ends of the insulation are often cuffed to avoid the insulation paper from sliding off from its position.

TASK 4 : PREPARING COILS

1. Make a ganged former or select a readymade former according to the old coil size as shown in figure 3 and 4.
2. Select the correct size of winding wire as per the data taken.
3. Attach the former to the winding machine, wind the designated turns and make one set of ganged coils.

4. Insert the ganged coils in the designated slots and check their correctness. While checking make sure that the coils are of the correct dimension so that the two coil sides could be accommodated as top and bottom coils sides in the same slot of the double layer winding, and the overhang dimensions are comparable to the template (as in the original).
5. If coils dimension are correct, make necessary sets of ganged coils. In the example given, two coils are forming the gang. Choose the former according to the number of gang coils.



TASK 5 : CONNECTION OF GROUP LEADS - TESTING AND VARNISHING

1. Bring out the group ends, connect, solder and insulate the groups as shown in Figure 6.
2. Connect the lead cables to the group connections and solder them.
3. Tie the hemp threads in the overhangs, to secure sleeved joints and phase separator insulations.
4. Shape the overhangs and check with a template.
5. Test the winding for continuity and ground.
6. Assemble the motor if the test results are satisfaction and run it for ten minutes.
7. If the results are O.K. dismantle the motor, impregnate the windings and dry them.
8. Assemble and test the motor on load.

EXERCISE NO. 12

AIM

- 1) To insert the already wound one phase coils for AC, 3 phase 400/440V, 36 slots, 4 poles stator of squirrel cage induction motor in single layer method.
- 2) To connect the end connections and conduct the earth test and continuity test.

REQUIREMENTS

TOOLS AND INSTRUMENTS

★ Electrician tool kit	-	1 Set
★ Double end spanner 5mm to 30mm	-	1 Set
★ Cold chisel 25mm dia. x 200mm long	-	1 No.
★ Nylon hammer 50mm dia. x 100mm	-	1 No.
★ Pulley puller 200mm with 3 jaws	-	1 No.
★ Outside micrometer 0-25mm	-	1 No.
★ Spring balance or weighing machine		
★ 0-3kg having 10g resolution	-	1 No.
★ Steel rule 300mm	-	1 No.
★ Scissors 200mm	-	1 No.
★ Fibre or Hylam knife edge assorted sizes	-	4 Nos.
★ Soldering iron 60W, 240V	-	1 No.
★ Multimeter 20K ohms / Volt	-	1 No.
★ Megger (Insulation tester) 500V	-	1 No.
★ Ammeter MI (Multi-range) 0-5A, 10A	-	1 No.
★ Multi-range voltmeter M.I. 0-300V-500V	-	1 No.
★ Tachometer 0-500-5000 r.p.m	-	1 No.
★ Allen key 3mm to 12mm	-	1 Set.
★ Ready made stepped former universal size	-	1 Set.
★ Awl of required length and thickness	-	1 No.

EQUIPMENT / MACHINES

★ Burnt out 3-phase motor with double layer distributed winding of available capacity	-	1 No.
---	---	-------

MATERIALS

★ Super -enamelled copper wire	-	as reqd.
★ Milinex paper or triplex paper size&qty	-	as reqd.
★ Fibre glass or empire sleeves 1mm,		
★ 2mm, 4mm, 6mm	-	as reqd.
★ Bamboo/fibre wedges	-	as reqd.
★ Used hacksaw blade 300mm x 12mm	-	2 Nos.
★ Painting brush 25mm	-	1 No.
★ Insulating varnish	-	1 litre.
★ Thinner	-	500 ml.
★ Hemp thread	-	1 roll.
★ Cotton tape 20mm or 25mm	-	1 roll.
★ Resin-core solder - tin 60% / 40%	-	100g.
★ Soldering flux	-	25g.

PROCEDURE

TASK1: RECORDING WINDING DATA AND STRIPPING THE WINDING

1. Record the name-plate details in Table-1.
2. Make punch marks on the end covers and yoke for easy reassembly.
3. Dismantle the motor by separating the pulley, bearing cap, fan etc. Remove the end covers and then the rotor by taking all the precautions.
4. Inspect the rotor and bearings for their condition. If found faulty, repair or replace them.
5. Record the available data in Table 2.
6. Identify the position of the connection lead side with respect to the terminal box and write down in Table 2.
7. Remove the connection leads from the terminal plate.
8. Use a thinner in the connection lead side to loosen the varnish and locate the end connections.
9. Identify the end connections and draw the end connection diagram in your record indicating the sequence.
10. Measure the overhang at both sides of the winding. Record in Table 2 and prepare the template.

11. Record the possible data at this stage in addition to number of slot coil pitch etc. and enter in Table 2.
12. Cut a few coils with help of cold chisel or side cutter at the opposite side of connection lead. (Normally load side).
13. Remove the coils from the stator slot by pulling the wires with pliers. If it is hard, heat them by a blowlamp, and then pull them out. Remove a few coils one by one in a sequential order. Remove at least two coils without cutting so that they could be used for measurement.
14. Record the details of the existing slot insulation in Table 2.
15. Record the type and diameter of the winding wire as well as particulars of the end connection leads in Table 2.
16. Record the type of coil winding

TABLE : 1

NAME-PLATE DETAILS OF INDUCTION MOTOR

Manufacturer Serial No. Frame
 Outputkw Phase Frequency Hz
 Voltage V connection YD current Amps
 Speed r.p.m. Duty cycle insulation class

TASK 2 : THE WINDING CALCULATION AND THE DEVELOPED DIAGRAM

For easy understanding of the steps a 36 slots, 18 coil, 4-pole, 3-phase motor is considered as an example. For the motor given as an example winding calculations are as under.

$$1. \text{ Total No. of coils} = \frac{\text{slots}}{2} = \frac{36}{2} = 18 \text{ coils (single layer)}$$

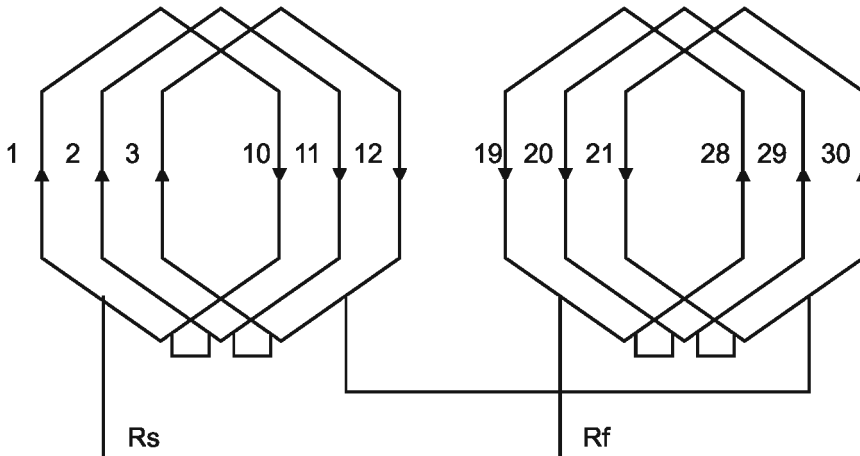
$$2. \text{ No. of coils/phase} = \frac{\text{Total No. of coils}}{\text{No. of Phase}} = \frac{18}{3} = 6 \text{ coils}$$

$$3. \text{ No. of coils/phase/poles} = \frac{\text{Total No. of coils}}{\text{No. of Phase} \times \text{No. of Poles}} = \frac{18}{3 \times 4} = 1.5$$

3. Pole pitch = $\frac{\text{No. of slots}}{\text{No. of Poles}} = \frac{36}{4} = 9 \text{ slots/pole}$

4. Coil pitch possible = 1 to 10

R			Y			B		
1	-	10	4	-	13	7	-	16
2	-	11	5	-	14	8	-	17
3	-	12	6	-	15	9	-	18
19	-	28	22	-	31	25	-	34
20	-	29	23	-	32	26	-	35
21	-	30	24	-	33	27	-	36



AC 36 Slots 4 Poles R Phase Developed Single Layer winding diagram

TABLE 2

DATA TO BE TAKEN FROM THE STATOR (before removing the coils)

- No. of slots No. of coils Coils per group
- Group connectors
- Wire insulation
- Coil throw Type of winding Distribution / concentric
- Wedge material Size Binding material size
- Overhang dimension Out dia. mm Inner dia mm
- Length mm Shape (make template).

DATA TO BE TAKEN (after removing the coils)

Size of wiremm No. of parallel wires No. of turns

Size of coil length mm (inside) widthmm (inside) Thicknessmm

Type of sleeve, size Type of lead size

1.

2.

3.

Slot insulation Type Thickness Dimension

Type of coil Number of coils

Weight of single coil Weight of the total winding

Front end bearing number Rear end bearing number

Size of connection lead

Connection lead side with respect of terminal box

$$1. \text{ No. of coils / phase} = \frac{\text{Total No. of coils}}{\text{No. of Phase}}$$

$$= \text{..... coils}$$

$$2. \text{ No. of coils / phase / poles} = \frac{\text{Total No. of coils}}{\text{No. of Phase} \times \text{No. of Poles}}$$

$$= \text{..... slots/poles.}$$

$$3. \text{ Pole pitch} = \frac{\text{No. of slots}}{\text{No. of Poles}} = \text{..... slots/poles}$$

4. Coil pitch possible A.....

B.....

C.....

5. Coil pitch as per the data collection is

6. Coil pitch selected is

(short chorded/full pitched/ long chorded)

$$7. \text{ Total electrical degrees} = 180 \times \text{No. of poles}$$

$$= 180 \times \text{.....} = \text{.....}$$

8. Slot distance in degree $= \frac{\text{Total electrical degree}}{\text{No. of Slots}}$

9. Reqd. displacement between phases in terms of slots $= \frac{120}{\text{Slot distance in degree}}$

10. Winding sequence

If 1st phase starts in the

2nd phase starts in the

3rd phase starts in the

11. Arrangement of coils

The coils are to be arranged in the slots in the sequence.

Draw the connection diagram and the developed diagram for the motor given to you, on a separate paper.

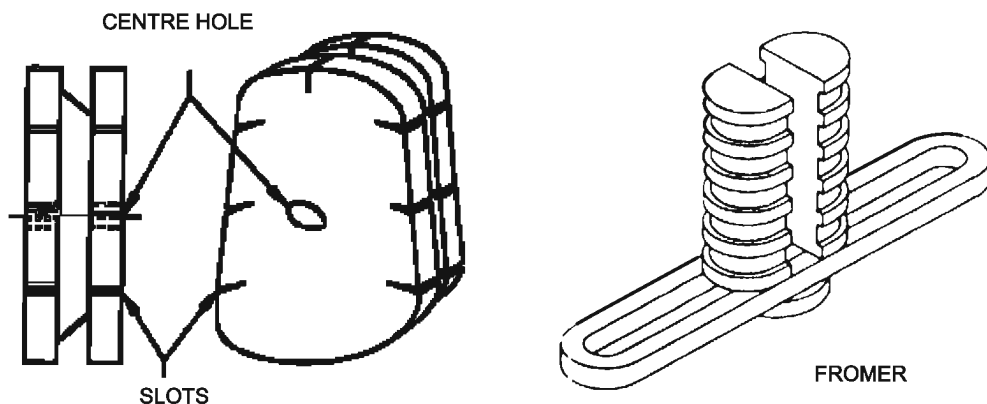
TASK 3 : PREPARING THE STATOR TO RECEIVE THE WINDING

1. Set the core, if it is mangled (lightly tap with a nylon mallet to correct the core) and clean the slot to remove any old insulation paper.
2. Select the insulation paper of the same grade and thickness or its equivalent as in the original and cut the insulation paper to the same size. Slot insulation paper must be approximately 10 to 15mm longer than the slot length and is to be formed according to the shapes of the inner walls of the slot. The ends of the insulation are often cuffed to avoid the insulation paper from sliding off from its position.

TASK 4 : PREPARING COILS

1. Make a ganged former or select a readymade former according to the old coil size as shown in figure 3 and 4.
2. Select the correct size of winding wire as per the data taken.
3. Attach the former to the winding machine, wind the designated turns and make one set of ganged coils.

4. Insert the ganged coils in the designated slots and check their correctness. While checking make sure that the coils are of the correct dimension so that the two coil sides could be accommodated as top and bottom coils sides in the same slot of the double layer winding, and the overhang dimensions are comparable to the template (as in the original).
5. If coils dimension are correct, make necessary sets of ganged coils. In the example given, two coils are forming the gang. Choose the former according to the number of gang coils.



TASK 5 : CONNECTION OF GROUP LEADS - TESTING AND VARNISHING

1. Bring out the group ends, connect, solder and insulate the groups as shown in Figure 6.
2. Connect the lead cables to the group connections and solder them.
3. Tie the hemp threads in the overhangs, to secure sleeved joints and phase separator insulations.
4. Shape the overhangs and check with a template.
5. Test the winding for continuity and ground.
6. Assemble the motor if the test results are satisfaction and run it for ten minutes.
7. If the results are O.K. dismantle the motor, impregnate the windings and dry them.
8. Assemble and test the motor on load.

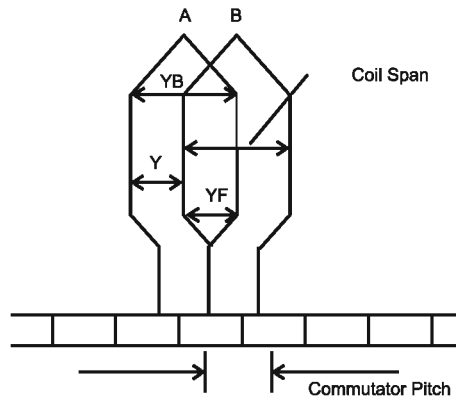
EXERCISE NO. 13

AIM

- 1) To required the given D.C. armature in simplex lap winding.
- 2) To conduct the earth test, continuity test and commutator segment bases short circuit test

RELATED INFORMATION

Armature winding is a very important element of a machine, as it directly takes part in the conversion of energy from one form into another. An important feature to remember about all D.C. armature windings is that they form close circuits. The joint between any two coils occurs where the start of one and the finish of the other is connected to the same commutator bar. In D.C. winding the elements lying at the top of the slots are given odd numbers and those at the bottom are given even numbers.



There are two types of D.C. armature winding:

- Lap winding
- Wave winding

In lap winding the adjacent ends of the coils are connected together or closed to each other on the commutator segments. The coils of such windings lap over each other from which the winding has derived its name.

There are as many paths of winding as there are field poles in the machines. Lap winding is classified in three ways:

- Simplex winding
- Duplex winding
- Triplex winding

In D.C. armature the following various terms are used.

POLE PITCH

It is the distance between the centre of one pole and that of the adjacent pole. This distance is measured in terms of slots or conductors. In terms of slots,

$$\text{Pole Pitch} = \frac{\text{No. of Slots}}{\text{No. of Poles}}$$

$$\begin{array}{l} \text{In terms of conductors} \\ \text{Pole pitch} \end{array} = \frac{\text{No. of Conductors}}{\text{No. of Poles}}$$

COIL SPAN

All coils have two sides. Each of them fits into a different slot according to the pole pitch. The distance between two sides is called coil spans or throw of coil.

$$\text{Coil Span} = \frac{\text{No. of Slots}}{\text{No. of Poles}}$$

WHOLE PITCH AND CHORD WINDING

When the coils span exactly matches the pole pitch, the winding is termed as whole pitch or full pitch; when slightly less, it is known as short chord (Short Pitch); and when slightly more, it is called long chord (Long Pitch) winding.

FRONT PITCH

The distance between the bottom of the first coil and the top of the second coil is called front pitch and is denoted by YF as shown in Figure.

BACK PITCH

The length of the end connection at the back measured in term of armature conductor is called back pitch and is denoted by YB as shown in Figure.

RESULTANT PITCH

The distance between two adjacent coils is known as Resultant Pitch and is denoted by

In Lap winding $y = Y_b - Y_f$

In wave winding $y = Y_f + Y_b$

COMMUTATOR PITCH

The space between the centre of one segment to the centre of the second segment is called Commutator Pitch and is denoted by Y_c .

In lap winding Y_c is unity.

In wave winding $Y_c = \frac{\text{No. of segments}}{\text{No. of pair of Poles}} \pm 1$

PROGRESSIVE WINDING

In this winding the coil ends do not cross each other.

RETROGRESSIVE WINDING

It is that winding in which the top and bottom leads cross each other and develop a winding diagram. Calculation of the data available for D.C. lap winding:

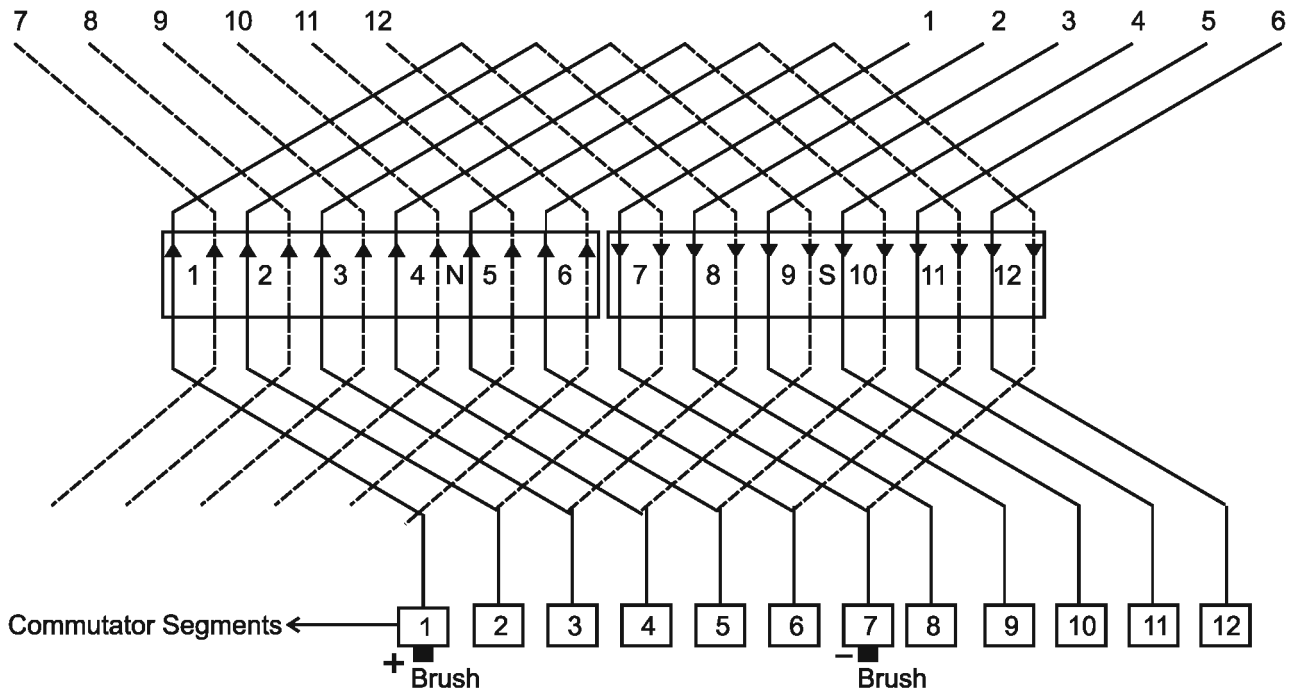
No. of slots	=	12
No. of coils	=	12
No. of segments	=	12
No. of poles	=	2
No. of conductor	=	No. of Coils x 2 = 12 x 2 = 24
Pole Pitch	=	$\frac{\text{No. of slots}}{\text{Poles}} = \frac{12}{2} = 6$

WINDING

Coil No.	Slot No.		Segment No.	
	From	To	Top lead	Bottom Lead
1	1	7	1	2
2	2	8	2	3
3	3	9	3	4
4	4	10	4	5
5	5	11	5	6
6	6	12	6	7
7	7	1	7	8
8	8	2	8	9
9	9	3	9	10
10	10	4	10	11
11	11	5	11	12
12	12	6	12	1

EQUIPMENT AND MATERIALS

Sl. No.	Item	Quantity
1	Insulated screw driver 20 cms	1
2	Insulated screw driver 15 cms	1
3	Insulated combination pliers 20 cms	1
4	Wire cutter 20 cms	1
5	Scissors 20 cms	1
6	Knife 15 cms	1
7	Hammer ball pein ½ kg	1
8	Soldering iron 230V, 75 watts	1
9	Series test lamp	1
10	Growler	1
11	Enamelled wire/SCC/DCC wire	
12	Letheroid paper 5 mills	
	10 mills	
13	Cotton tape 20 mills	
14	Binding thread	
15	Bamboo strip	
16	Varnish	
17	Solder wire, solder paste	
18	Armature stand	
19	Wire gauge/micrometer	1

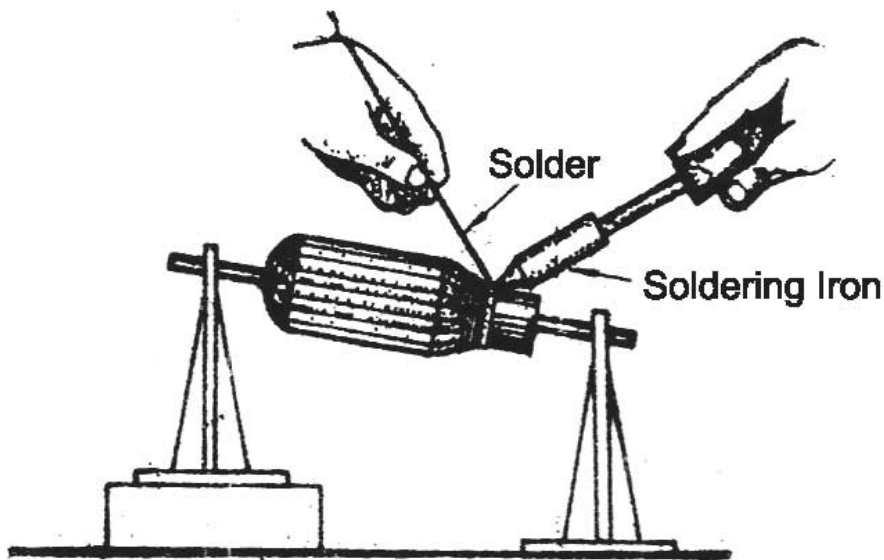


Double Layer Lap Winding diagram

PROCEDURE

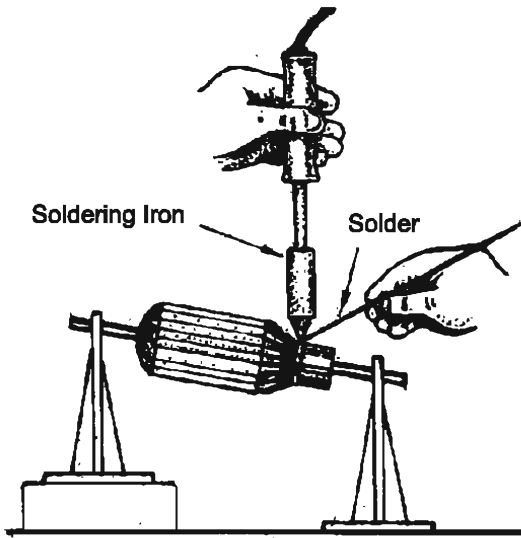
- ★ Count the slots and commutator bars (segments).
- ★ Record and sketch the lead throw by making the slots and the commutator bars of a coil.
- ★ Record the coil throw (coil pitch).
- ★ Record the number of coils per slot and the type of winding, i.e. hand form, right hand, left hand, clock-wise, and soon.
- ★ Determine the size of the wire by means of wire gauge/micrometer.
- ★ Record the wire covering (insulation).
- ★ Unsolder the leads from the commutator, if the ends break off at the segments, use a hack saw particles of copper.
- ★ Remove the wedges from the slots.
- ★ Remove the coils from the slots.
- ★ Count the number of turns in each coil and determine size of the wire.
- ★ Preserve one coil in order to have the size to construct new coils.
- ★ Clean the armature, blow out with compressed air or wash in dilute water and dry it.

- ★ Insulate the slots with suitable insulating materials, and take the coil size.
- ★ Make a wooden patten, wind the coil with the original size of the wire and record the number of turns.
- ★ Insert the coil in the slots to the noted winding pitch, close the slots with the slot covers and wedges.
- ★ Strip the insulation from the ends of the wire and place the ends on the commutator bars as recorded.
- ★ Apply soldering flux over each wire in the commutator bar.

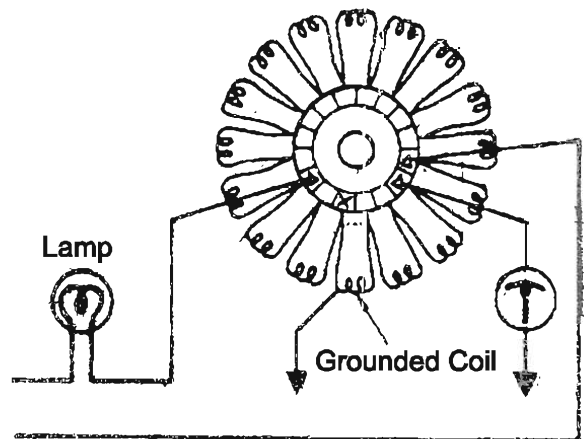


Soldering of commutator

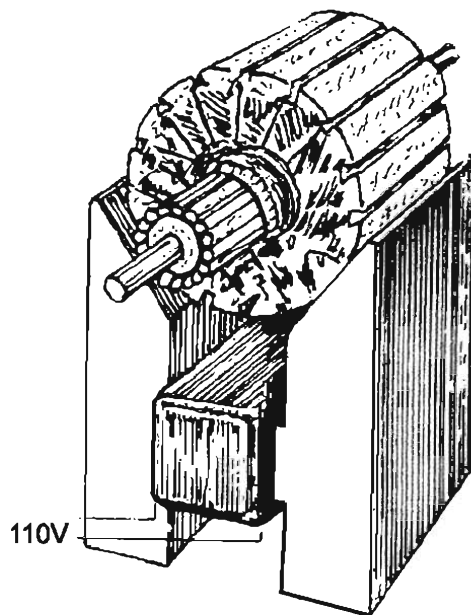
- ★ Place the tip of the soldering iron on the commutator and wait until the heat from the iron is transferred to the area of the commutator bar that is to be soldered.
- ★ Place solder wire on the commutator near the iron and allow it to melt and flow into the commutator bar before removing the iron (Figure).
- ★ Bind the armature with twine thread.
- ★ Test the winding for short circuits, grounds, open circuits and correctness of connections.
- ★ Varnish the armature and bake it.
- ★ After baking, again test the winding for short circuit grounds, open circuit grounds, open circuits.



Soldering of commutator



Ground test



Growler Test

PRECAUTIONS

- ★ Do not disturb the laminations.
- ★ Before insulating the slots make sure that the old insulation is removed.
- ★ Solder should not flow from one segment to another.
- ★ The Growler test should be carried out after rewinding the armature.
- ★ Save your hand from the knife, and the soldering iron.
- ★ Avoid dry solder.

EXERCISE NO. 14

AIM

- I. To rewind the given D.C. armature in simplex wave winding.
- II. To conduct the earth test, continuity test and commutator segment bars short circuit test.

RELATED INFORMATION

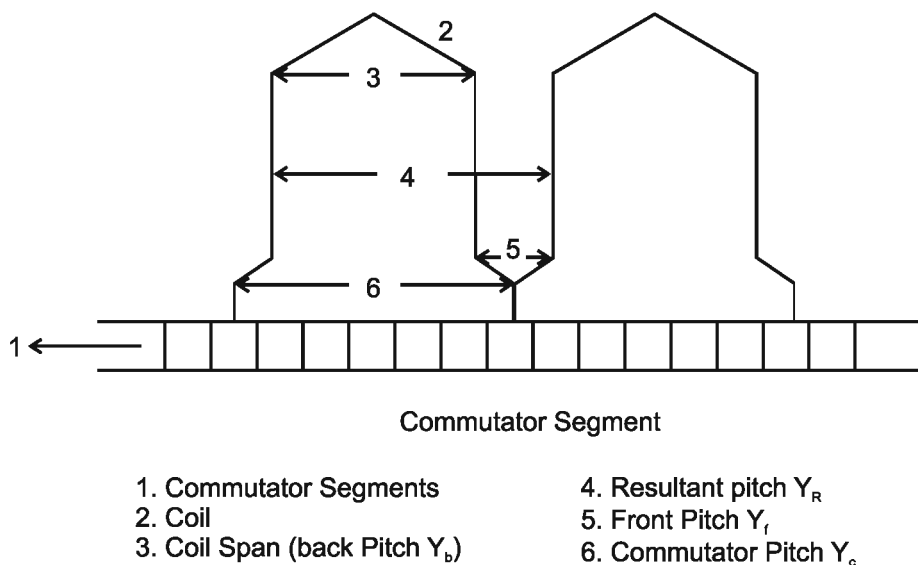
Armature winding is a very important element of a machine, as it directly takes part in the conversion of energy from one form into another. An important feature to remember about all D.C. armature windings is that they form close circuits. The joint between any two coils occurs where the start of one and the finish of other is connected to the same commutator bar. In D.C. winding the elements lying at the top of the slots are given odd numbers and those at the bottom are given even numbers.

WAVE WINDING

In wave winding, the beginning and end points of a coil are connected to the commutator bars quite far apart. In a four-pole motor, they are connected on the opposite sides of the commutator. In a six-pole motor, they are connected to one-third of the commutator bars apart. In an eight-pole motor, they are connected to one-fourth of the bars apart.

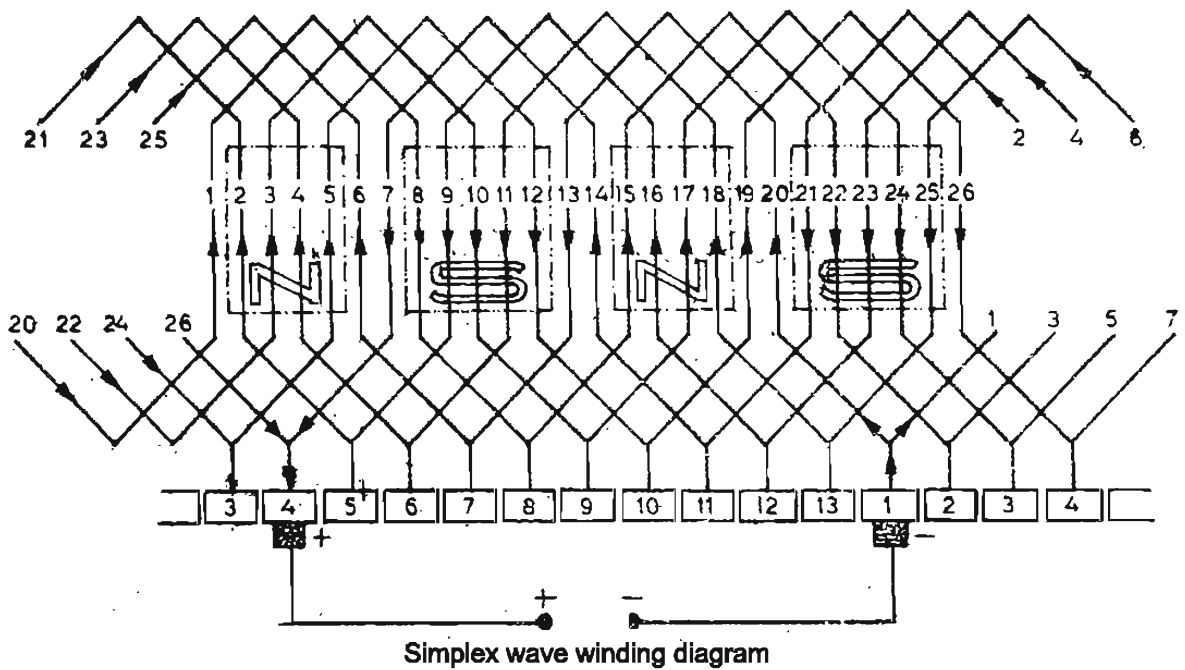
A two-pole motor cannot be wave wound. The difference between wave winding and lap winding is in the position of the armature leads on the commutator.

Developed a diagram of a simplex double-layer wave winding as shown in Figure.



EQUIPMENT AND MATERIALS

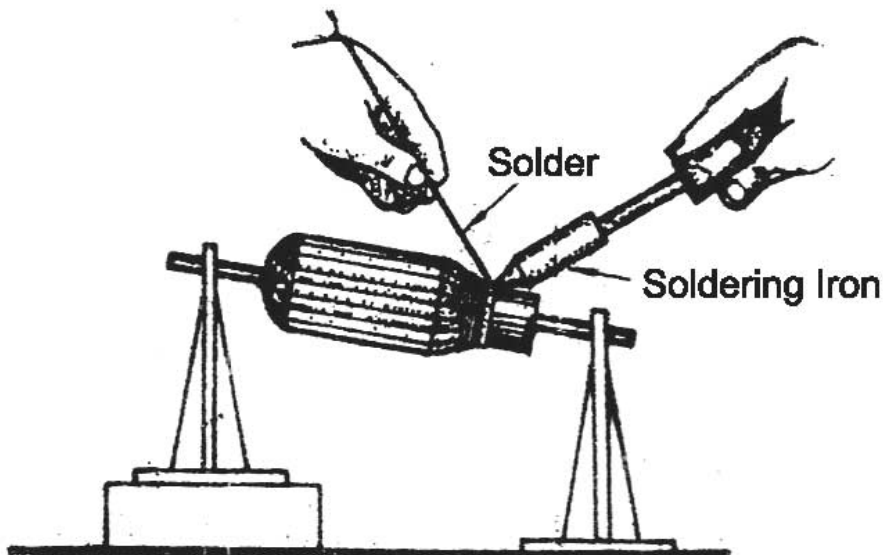
Sl. No.	Item and Size	Quantity
1	Insulated screw driver 20 cms	1
2	Insulated screw driver 15 cms	1
3	Insulated combination pliers 20 cms	1
4	Wire cutter 20 cms	1
5	Knife 15 cms	1
6	Hacksaw Blade 30 cm	1
7	Hammer ball pein ½ kg	1
8	Scissors 20 cm	1
9	Series test lamp	1
10	Growler	1
11	Enamelled wire/SCC/DCC	
12	Letheroid paper 5 mills, 10 mills	
13	Cotton tape 20 mm	
14	Binding thread	
15	Bamboo strip	
16	Varnish	
17	Solder wire, 80/20	
18	Solder Paste	
19	Armature stand	
20	Wiregauge/micrometer 0-25mm	1
21	Soldering iron 35/75 watt, 230 volts	1 each



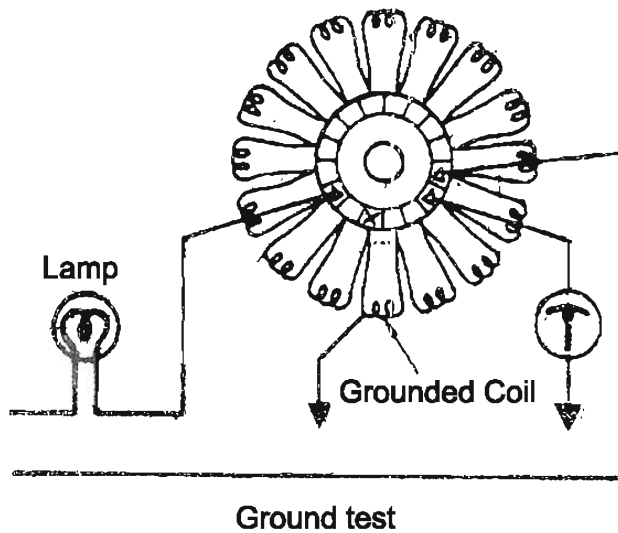
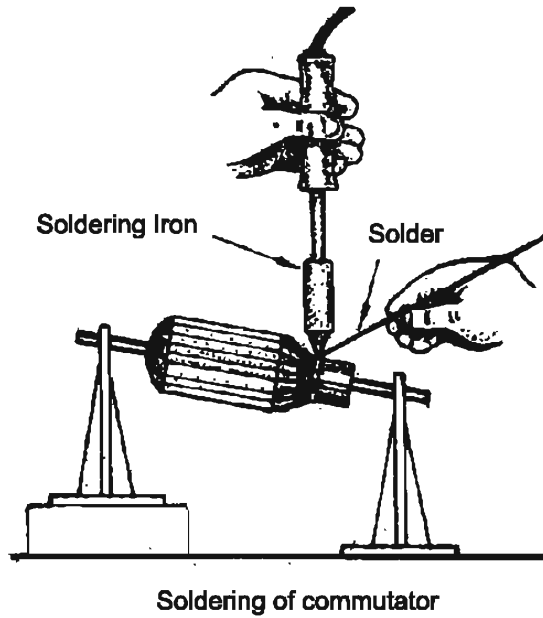
PROCEDURE

- ★ Count the slots and commutator segments.
- ★ Record and sketch the lead throw by marking the slots and the commutator bars of the coil.
- ★ Record the number of coils for slot and the type of winding, i.e. hand form, right hand or left hand, clockwise, and soon.
- ★ Record the coil throw (coil pitch).
- ★ Determine the size of the wire by means of wire gauge / micrometer.
- ★ Record the wire covering (insulation).
- ★ Unsolder the leads from the commutator bars. If the ends break off the segment, use a hacksaw blade to take out the broken particles of copper.
- ★ Remove the wedge form the slots.
- ★ Remove the coils from the slots.
- ★ Count the number of turns in each coil and find the size of the wire.
- ★ Preserve one coil in order to have the size and weight to construct a new coil.
- ★ Clean the armature, blow out with compressed air or wash in dilute solution of caustic soda, rinse in water and dry it.
- ★ Insulate the slots with suitable insulating material and take the coil size.

- ★ Make a wooden pattern wind the coil with the original size of wire and number of turns.
- ★ Insert the coil in the slots to the noted winding pitch, close the slots with the slots covers and wedges.
- ★ Strip off the insulation from the ends of the wire and place the ends on the commutator bars as recorded.
- ★ Apply soldering flux over each wire in the commutator bar.
- ★ Place the tip of the soldering iron on the commutator and wait till the heat from the iron is transferred to the area of the commutator bar that is to be soldered.
- ★ Place the solder wire on the commutator near the iron and allow it to melt and flow into the commutator bar before removing the iron.
- ★ Bind the armature with twine thread.
- ★ Test the winding for short circuit, ground, open circuit and correctness of connections.
- ★ Varnish the armature and bake it.
- ★ After baking, again the test the winding for short circuit, open circuit and ground.



Soldering of commutator



PRECAUTIONS

- ★ Do not disturb the laminations.
- ★ Before insulating the slots, make sure that the old insulation is removed.
- ★ Solder should not flow from one segment to another.
- ★ The Growler test should be followed after rewinding the armature.
- ★ Save your hand from the knife, pliers, cutter, soldering iron, etc.
- ★ Avoid dry solder.

EXERCISE NO. 15

AIM

- I. To dismantle the given AC, 3 phase 400/440v squirrel cage induction motor by proper tools .
- II. To check the insulation resistance by using meggar.
- III. To check the bearing and apply the quality grease in correct quantity.
- IV. To assemble the motor and measure the air gap by feeler gauge.

EQUIPMENT AND MATERIALS

1. Screwdriver 100, 150 and 200 mm	1 No each
2. Spanner 5mm to 30 mm	1 set
3. Ring spanner 5 mm to 30 mm	1 set
4. Cold chisel 25 mm x 200 mm	1 No.
5. Ball pein hammer 500 grams	1 No.
6. Nylon hammer 75 mm x 100 mm	1 No.
7. Pulley puller 200 mm with 3 jaws	1 No.
8. Center punch 10 mm x 150 mm	1 No.
9. Insulated cutting pliers 200 mm	1 No.
10. Side cutter 150 mm	1 No.
11. Micrometer outside 0-25 mm	1 No.
12. Hacksaw frame 300 mm	1 No.
13. Steel rule 300 mm	1 No.
14. Scissors 200 mm	1 No.
15. Fibre or Hylam knife of assorted sizes	4 Nos.
16. Soldering iron 125 W, 230v	1 No.
17. Knife 100 mm	1 No.
18. Multimeter 20 K ohms / Volt	1 No.
19. Megger (insulation tester) 500v	1 No.

Equipment/Machines

1. A.C. 3 Phase 400/440V squirrel cage Induction Motor

Materials

Grease good quality	1 Box
---------------------	-------

TABLE 1

Induction motor name - plate details

Make.	Frame No.	Model
Phase	Kilo watt.	R.p.m.
Volts	Amperes	Frequency
Rating	Enclosure	Insulation
Connection	Star / Delta	Class

Remove the Shaft key or the grub screw holding the pulley as shown in Fig. 1.

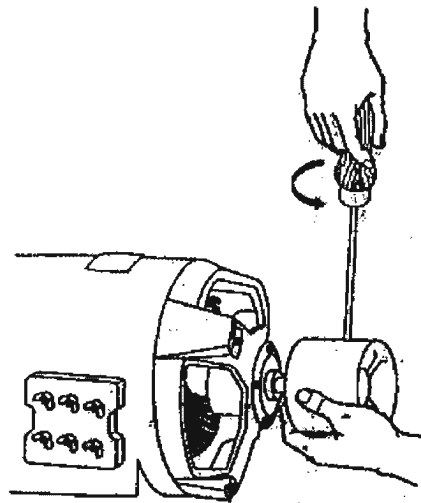


Fig. 1.

Remove the pulley by using a suitable pulley puller as shown in Fig 2.

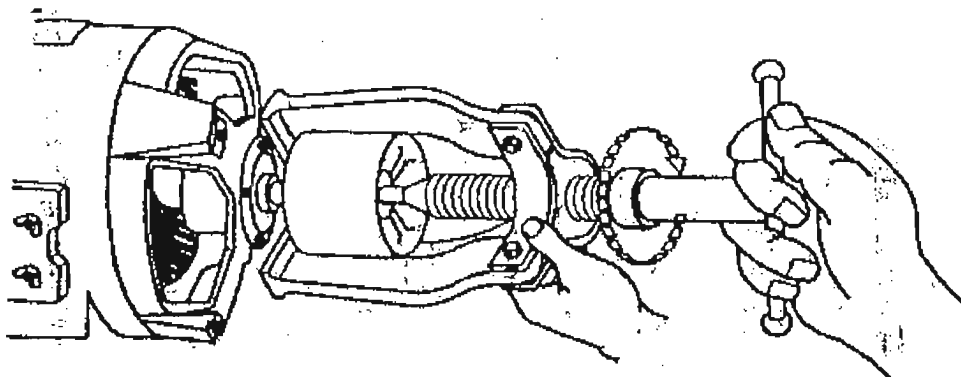


Fig. 2.

To avoid convusion make a single punch mark on one side and a dual punch mark on the other end of the motor.

Remove the grease cup screw.
Make a centre punch alignment mark on the stator and the end shield cover as shown in Fig. 3.

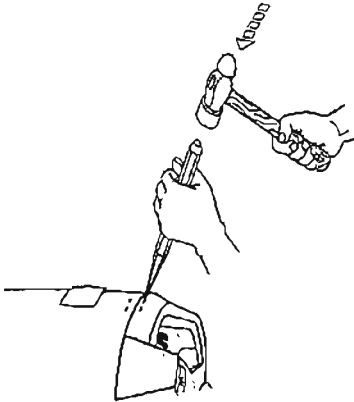


Fig. 3.

Loosen the bolts gradually, switching from side to until they can be removed as shown Fig. 4.

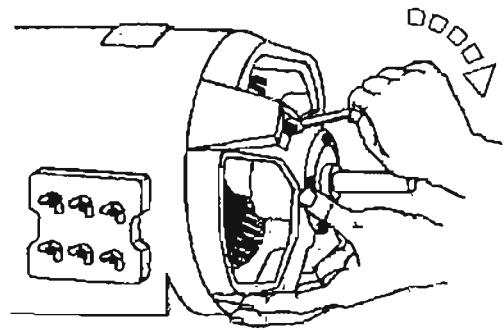


Fig. 4.

Keep the cold chisel tip between the stator and con and gently tap the chisel with a hammer and sepan the stator and the end shield cover as shown in fig. 5.

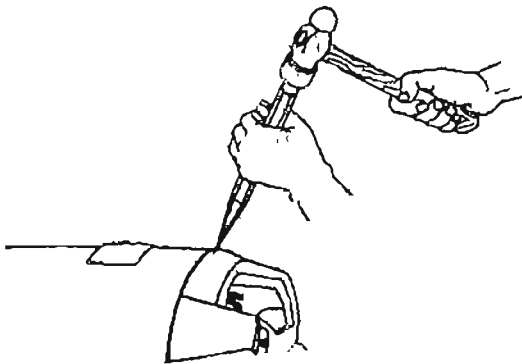


Fig. 5.

Pull off the end shield cover and rotor together, parallel to the motor shaft as shown in Fig. 6.

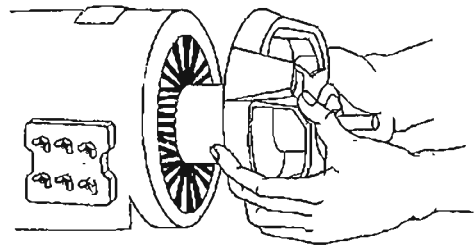


Fig. 6.

Hold the shaft in one hand, rotate the end cover and tap it lightly with a nylon mallet to remove it from the rotor as shown in Fig. 7.

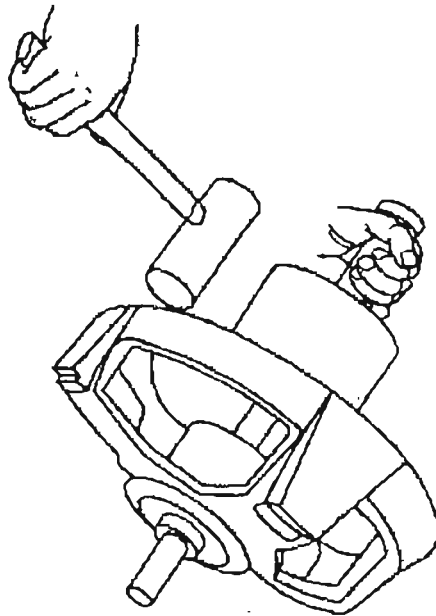


Fig. 7.

Remove the other end shield cover also by gently priming it out. Inspect the rotor for any defect and the bearing for its condition.

If the bearing is worn out replace it with a new one. All fastening devices should be kept in a separate tray. The dismantle parts are shown in Fig. 8.

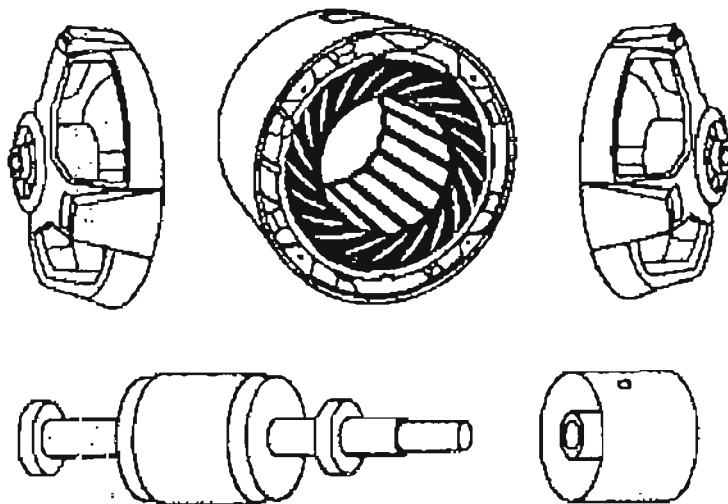


Fig. 8.

Identify whether the winding is of a single layer distributed type.

In a single layer distributed type winding, the number of coils is equal to half the number of slots and the same size of coils are used throughout the winding.

Measure the insulation resistance between the windings and the stator core with a 500V Megger and record it in Table 7

Measure the insulation resistance between the windings with a 500V Megger and record it in Table 8

The above values should not be less than one megohm in any case.

TABLE 7

Insulation Resistance	
Between core and A phase	megohm
Between core and B phase	megohm
Between core and C phase	megohm

TABLE 8

Insulation resistance	
Between A phase and A phase	Megohms
Between A phase and B phase	Megohms
Between A phase and C phase	Megohms

Check the bearing by proper tools

Apply the quality grease in correct quantity

Assemble the motor in reverse order of dismantle

Measure the air gap by feeler gauge

Test run the motor.

PRACTICAL II

1. STEAM IRON BOX

AIM

- 1) To dismantle the given faulty steam iron box.
- 2) To identify the fault and correct it.
- 3) To Reassemble the iron box and test the iron box.

RELATED INFORMATION

Steam iron iron is commonly used at home. These differ from those ordinary iron box mainly in that they contain a steam chamber and water reservoir. Here the heat from the heating element raises the water temperature to boiling state, causing steam to be emitted from a set of slots in the sole plate. In this manner, moisture-laden steam comes out from the steam chamber in the iron through the slots in the sole plate.

TOOLS, EQUIPEMENT AND MATERIALS REQUIRED

- | | | |
|------------------------------------|---|----------|
| i) Insulated combination Pliers | : | one |
| ii) Screw drivers, 20 cm and 10 cm | : | one each |
| iii) Spanner double ended | : | one set |
| iv) Test lamp | : | one |

Material

- | | | |
|---------------|---|-----|
| i) Steam Iron | : | one |
|---------------|---|-----|

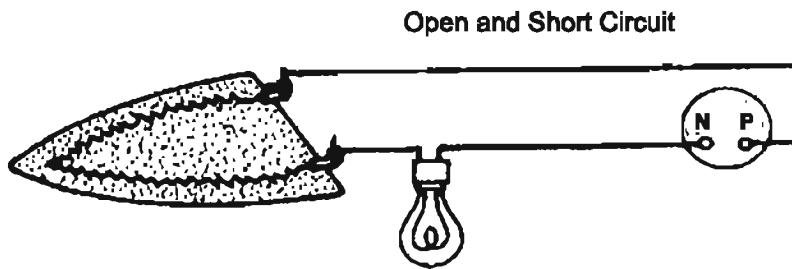
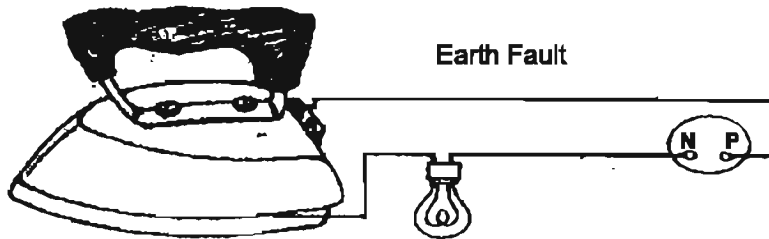
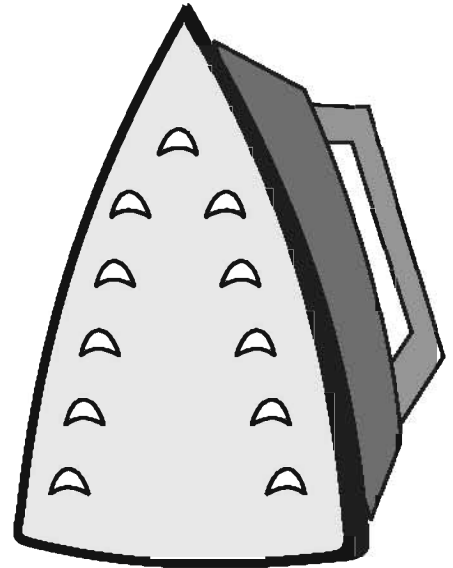
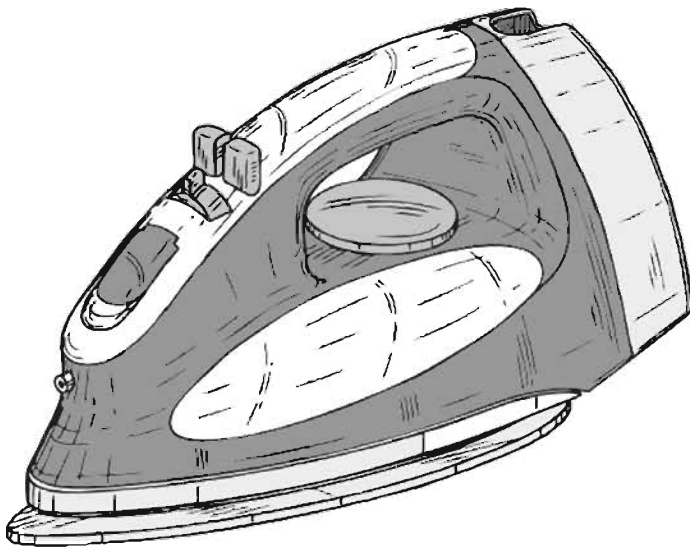
Equipement

- | | | |
|---------------------------|---|-----|
| i) Multimeter (AVO meter) | : | one |
|---------------------------|---|-----|

PROCEDURE

A Steam Iron has following parts, which are to be dismantled and re- assembled

- | | |
|-----------------------|---------------------|
| i) Sole Plate | ii) Heating element |
| iii) Water container | iv) Outlet Pipe |
| v) Regulator | vi) Cover |
| vii) Insulated handle | |



	Open circuit	Short circuit	Earthing
Test Lamp	Glow / Not Glow	Dim / Bright	Glow / Not Glow
Fault	Occured / Not occured	Occured / Not occured	Occured / Not occured

DISMANTLING

- i) Before dismantling ensure that no water in the container.
- ii) Loosen the nuts from the bolts of electric iron.
- iii) Remove the insulating handle and the cover.
- iv) Finally remove asbestos from the sole plate

TESTING

Testing of element is done with the help of test lamp.

Two brass strips are connected to mains through test lamp. The test lamp will indicate the continuity of the heating element by the glow of lamp.

RE-ASSEMBLING

- i) If there is any scales formation in the steam outlet, remove it. Use mild Hydrochloric acid solution to remove the scales.
- ii) Sole plate studs must be tightened.
- iii) Assemble cover with the heating element and then place it on the sole plate.
- iv) Pressure plate must be placed on the heating element and tightened smoothly by nut.
- v) Cover plate along with handle may be tightened at the last.

TESTING AFTER RE-ASSEMBLING

Check the continuity of heating element by performing open circuit, short circuit and earth fault tests. If found correct, the electric iron is fit for use. If there is any kind of defect dismantle the Iron box and rectify the fault if possible. Otherwise replace the heating element.

PRECAUTIONS

- i) While unscrewing or tightening no undue pressure must be applied.
- ii) Equal pressure must be given while fitting the pressure plate.
- iii) Dismantled parts must be placed in a systematic way and the nut and screws must be secured in bins.

APPLICATION

Electric Iron is widely used in households for ironing cloths. Now-a-days the automatic iron and steam iron have widely come in use. In an automatic iron there is a thermostat which controls the heating of the iron. In steam iron water is used and heated.

2. AUTOMATIC IRON BOX

AIM

- 1) To dismantle the given faulty automatic iron box.
- 2) To identify the fault and correct it.
- 3) Reassemble the iron box and test the iron box.

RELATED INFORMATION

Electric iron is commonly used at home. Its repairs and maintenance will benefit students in their day-to-day work. Students may be told that electric iron works on the principle of heating effect of electricity. When electric current passes through a wire, it gets heated up. If the resistance is low, current is high and heating will also rise accordingly.

TOOLS EQUIPEMENT AND MATERIAL REQUIRED

- | | | |
|-------------------------------|---|---|
| 1. Insulated cutting plier | - | 1 |
| 2. Screw driver 20cm and 10cm | - | 1 |
| 3. Spanner set | - | 1 |
| 4. Testing lamp | - | 1 |

MATERIAL REQUIRED

Automatic Iron Box.

EQUIPMENT

- (i) Multimeter (AVO meter) one

PROCEDURE

An automatic iron box has following parts, which are to be dismantled and re-assembled.

1. Sole plate
2. Heating Element
3. Cast iron plate or pressure plat

4. Thermostat
5. Iron cover
6. Connecting socket with porcelain insulation washer.
7. Cover
8. Insulated handle
9. Washers, bolt, end nuts for lightening the pressure plate and cover.

DISMANTLING

Dismantling of iron box must be done step-by step.

- (i) With supply disconnected, loosen the nuts from the bolts of electric iron and renew the thermostat.
- (ii) Remove pressure plat after removing its bolts.
- (iii) Remove the insulating handle and the cover (iron)
- (iv) Finally remove asbestos from the base of sole plate.

TESTING :

Testing the heating element with the test lamp.

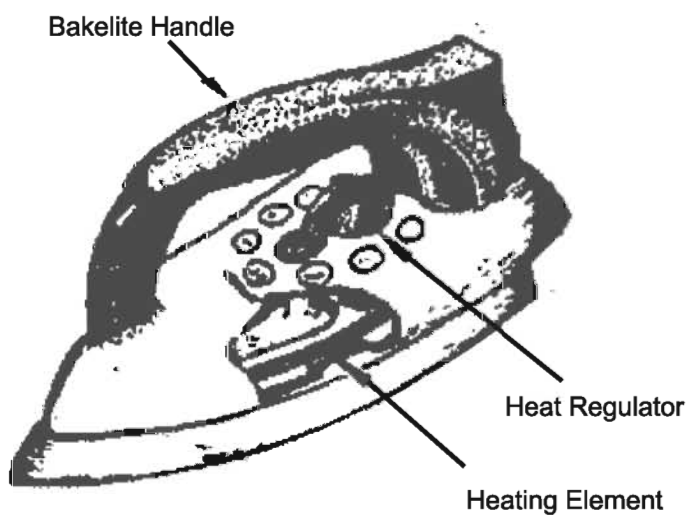
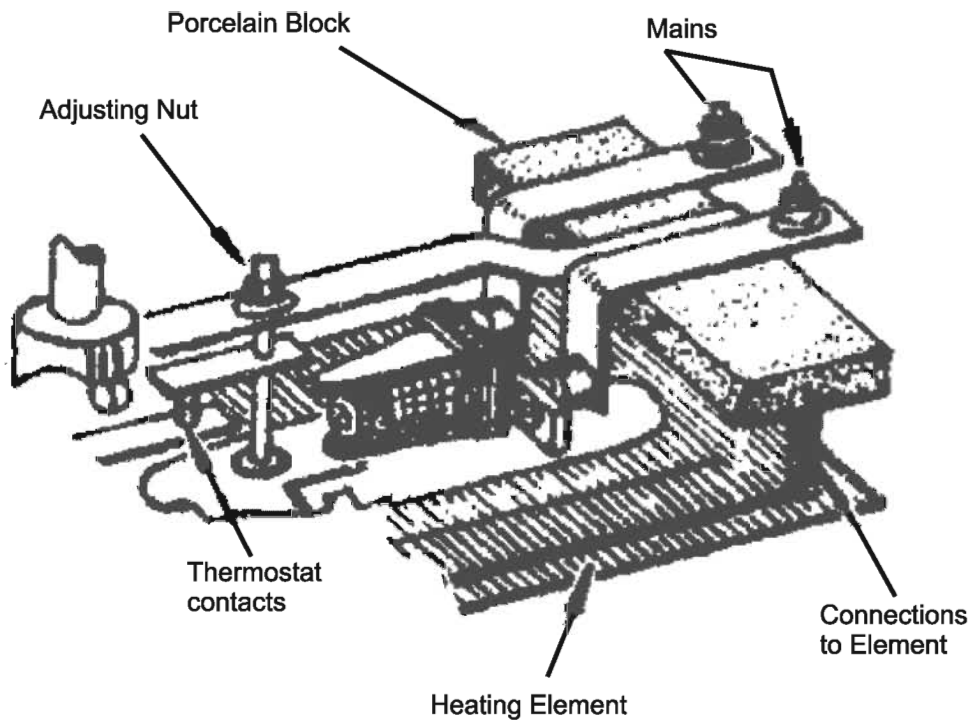
Two brass strips are connected to mains through test lamp.

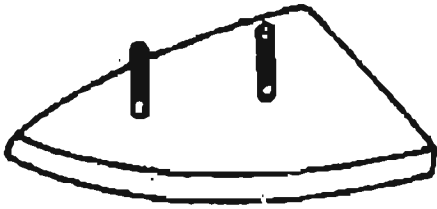
The test lamp will indicate the continuity of the heating element by the glow of the lamp.

RE-ASSEMBLING:

Re-assembling of electric iron is done just in the reverse method to dismantling:

- (i) Sole plate must be tightened first.
- (ii) Put asbestos sheet on base sole plate.
- (ii) Assemble cover with the heating element and then place it on the sole plate.
- (iv) Pressure plate must be placed on the heating element and tightened smoothly by nuts and fix the thermostat.
- (v) Cover plate along with handle may be tightened at the end.

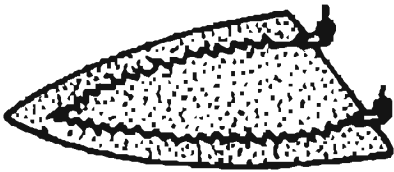




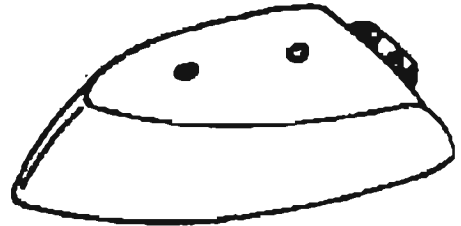
SOLE PLATE WITH BOLTS



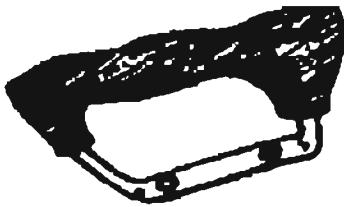
PRESSURE PLATE



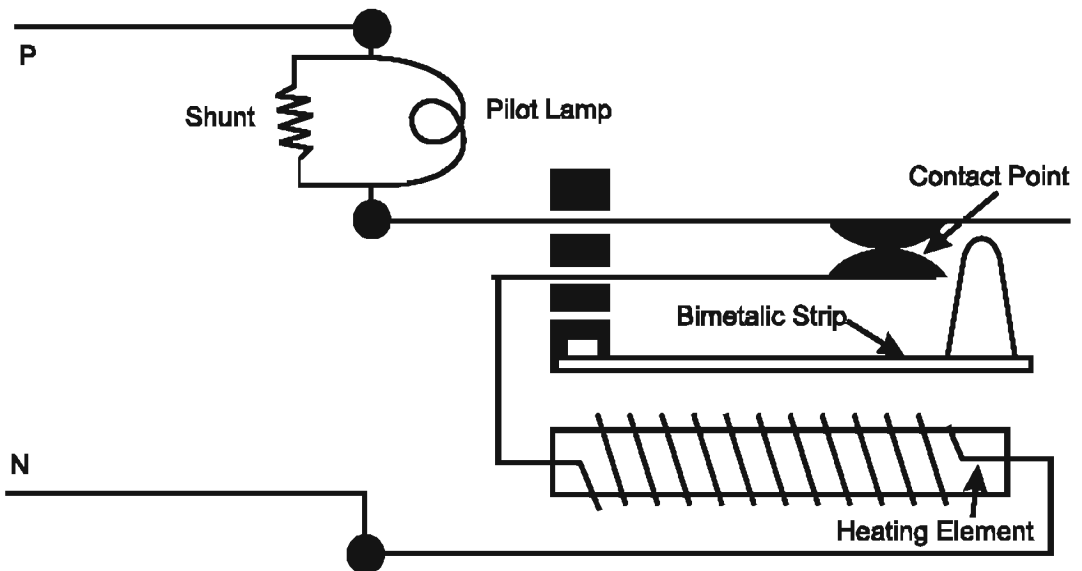
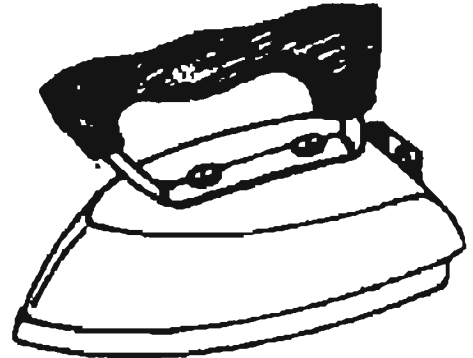
HEATING ELEMENT

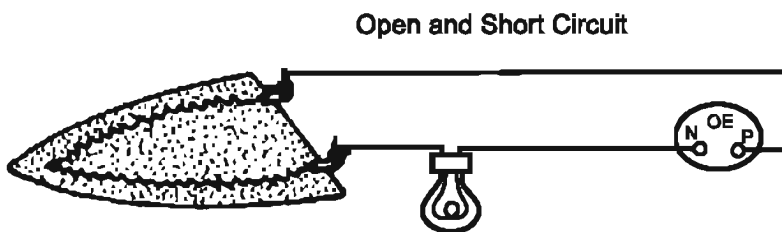
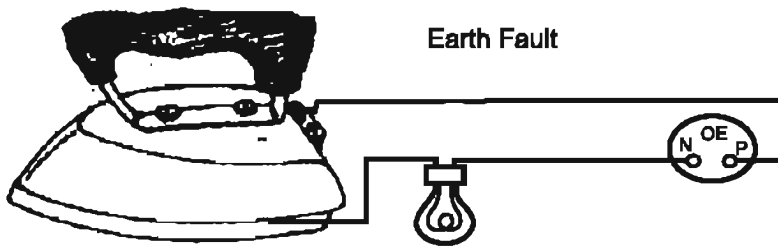


IRON COVER



INSULATED HANDLED





	Open circuit	Short circuit	Earthing
Test Lamp	Glow / Not Glow	Dim / Bright	Glow / Not Glow
Fault	Occured / Not occured	Occured / Not occured	Occured / Not occured

TESTING AFTER RE-ASSEMBLING

Check the continuity of heating element by performing open circuit, short circuit and earth fault tests. If found correct, the electric iron is fit for use. If there is any kind of defect dismantle the Iron box and rectify the fault if possible. Otherwise replace the heating element.

PRECAUTION:

- (i) While unscrewing or tightening no undue pressure must be applied.
- (ii) Equal pressure must be made while fitting the pressure plate.
- (iii) Dismantled parts must be placed in a systematic way and the nut and screws must be secured in bins.

APPLICATION

Electric Iron is widely used in household for ironing cloths. Now a days the automatic iron and steam iron have widely come in use. In an automatic iron there is a thermostat which controls the heating of the iron. In steam iron water is used and heated.

3. ELECTRIC STOVE

AIM

- 1) To dismantle the given faulty electric stove.
- 2) To identify the fault and correct the fault.
- 3) Reassemble the electric stove and test the electric stove.

RELATED INFORMATION

Electric stove is used to cook all type of vessels. The heating element is fixed in visible position and there is a grill fixed on it.

TOOLS REQUIRED

- (i) Insulated Cutting plier - 1
- (ii) Screw driver 20 cm and 10 cm - 1
- (iii) Spanner Set - 1.
- (iv) Test lamp - 1

MATERIAL REQUIRED

- (i) Electric Stove - 1

DISMANTLING

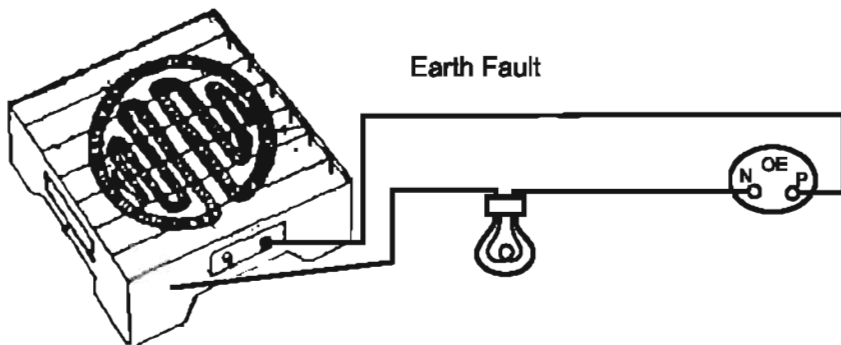
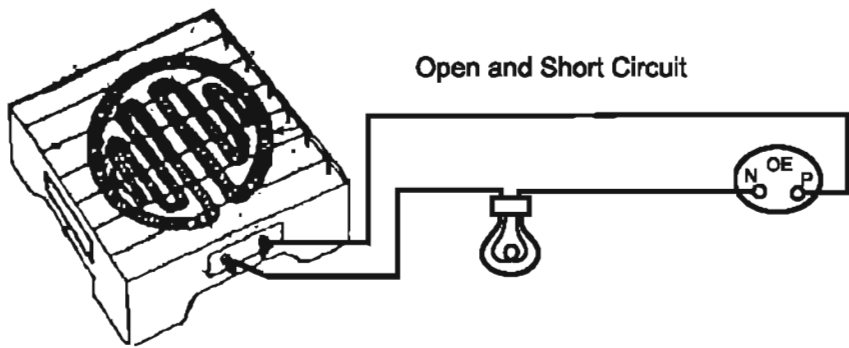
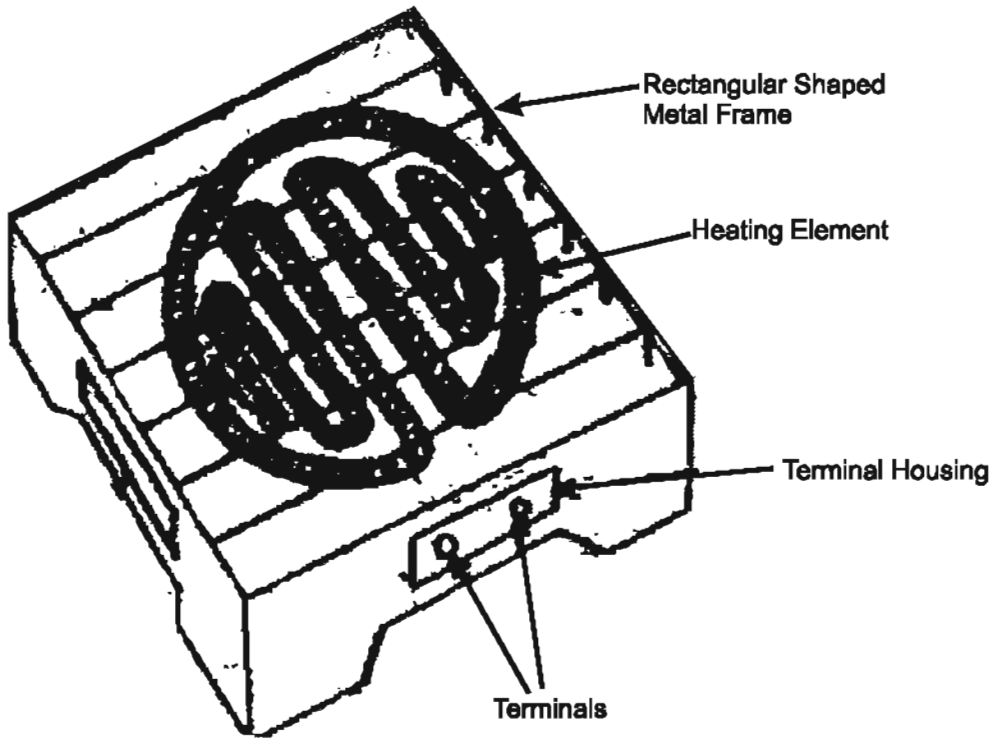
- (i) Dismantling the bottom cover
- (ii) Dismantling the heating element
- (iii) Remove the heating element from porcelain plate.

PROCEDURE

To check for open and short circuit faults.

Step:1

Connect a test lamp in series with the given faulty electric stove terminals, across the supply, as shown in Fig. 3.2



Step: 2

If the test lamp does not glow, then there is an open circuit fault. If the lamp glows brightly, then there is a short circuit fault. Disconnect the test lamp and dismantle the rectangular shaped metal frame. Repair the heating element. Replace with new one, if necessary. Fix the heating element in its place correctly.

Step : 3

Reassemble the rectangular shaped metal frame and repeat step 1, as shown in Fig. 3.3

Step 4

If the lamp glows, then an earth fault has occurred. Check whether heating element is in contact with the metal frame. Provide proper insulation between the heating element and the outer metal frame (Like Asbestos, Porcelain etc,) Refix the heating element correctly.

Step 5

Complete the Table 3.1.

	Open circuit	Short circuit	Earthing
Test Lamp	Glow / Not Glow	Dim / Bright	Glow / Not Glow
Fault	Occured / Not occurred	Occured / Not occurred	Occured / Not occurred

PRECAUTION

Made a perfect earth connection.

4 - HOT PLATE

AIM

- 1) To dismantle the given faulty electric hot plate.
- 2) To identify the fault and correct the fault.
- 3) To Reassembble electric hot plate and test the electRICT hot plate.

RELATED INFORMATION

Electric hot plate is widely used for cooking. It is safer than an Electric Stove. it lasts for a longer period than any other cooking appliance. It consists of a nichrome coiled element housed in a metallic frame. Three-pin socket is provided on the frame. The terminals of the element and pins of socket are connected by thick conductor. The whole assembly is covered by a bottom cover plate. A rotary switch has controls namely, low, medium and high temperature. Electric hot plates are usually available in 500, 1000, 1500 watts at 230 volts. It works on the principle of “Heating Effects of Electricity”.

TOOLS REQUIRED:

- | | |
|-------------------------------|-----|
| 1. Insulated cutting plier | - 1 |
| 2. Screw driver 20cm and 10cm | - 1 |
| 3. Spanner set | - 1 |
| 4. Testing lamp | - 1 |

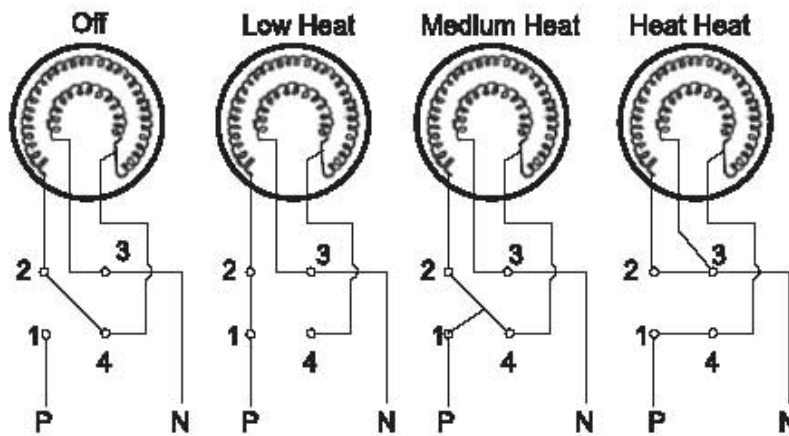
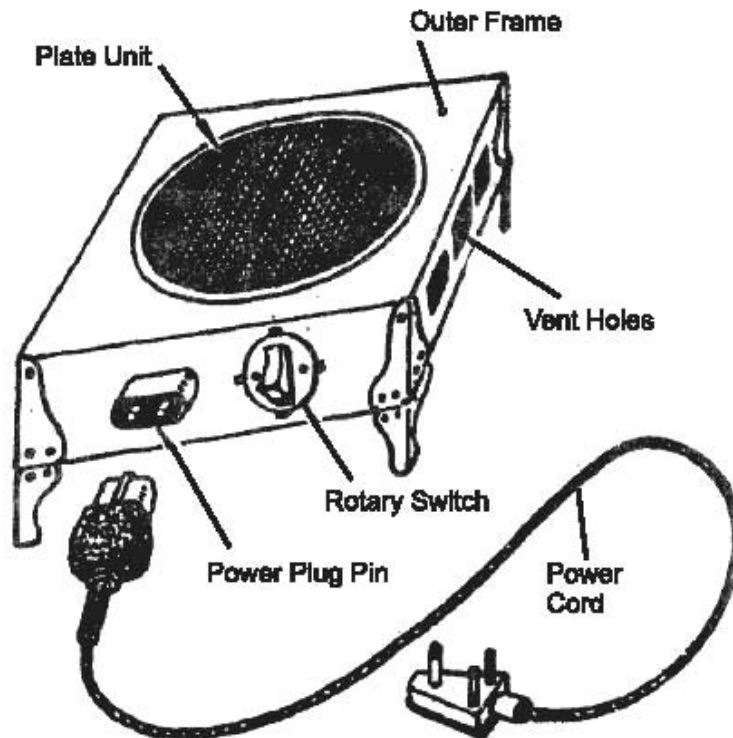
MATERIAL

- (i) Electric hot plate 500W, 1000W, 1500 W one Each.

DISMANTLING

- (i) Disconnect the power cord from the mains and remove it from the power plug socket.
- (ii) Open the bottom cover plate and unscrew the plate unit from socket and rotary switch.
- (iii) Study plate unit by checking the spring like heating element embedded in a groove of the base.
- (iv) Plate unit top is made of alloy of cast iron, and placed over the grooved porecelain base. It may not be removed but its construction and position can be carefully observed.

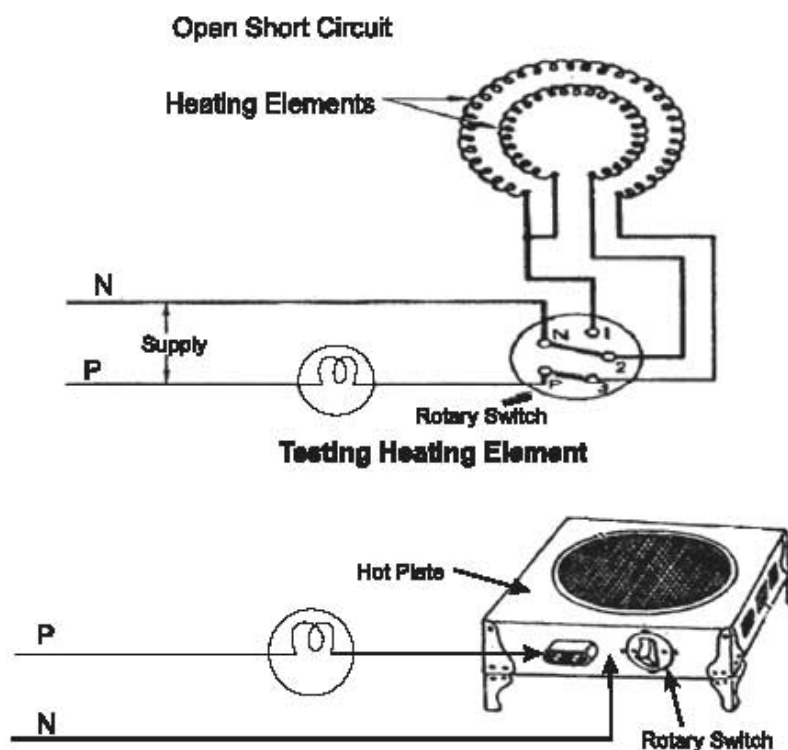
Electric Hot Plate



RE-ASSEMBLING

- (i) Place the plate unit of the grooves provided and clamp it with the nut and bolt keeping terminals of the element towards the rotary switch.
- (ii) Connect the terminals of heating element, one by one.
- (iii) Cover with the bottom cover plate by screwing the screws. Connect the two ends of the testing lead to the terminal of plug top of the hot plate. If the lamp does not glow, it means there is an open circuit, i.e. breakage of element inside the plate unit, check continuity and make necessary repair.

For earth and leakage test, connect two ends of testing lamp with power plug pin and body of electric hot plate. If the lamp glows, it indicates earth/leakage fault. Earth/leakage fault may be present in terminal leads, heating elements. and hot plate body.



	Open circuit	Short circuit	Earthing
Test Lamp	Glow / Not Glow	Dim / Bright	Glow / Not Glow
Fault	Occured / Not occured	Occured / Not occured	Occured / Not occured

PRECAUTION

Never start dismantling an appliance when it is connected with the mains.

APPLICATION

Electric hot plates are usually used in hospitals and kitchens where there is need to avoid smoke, an dirt. Therefore they are used in sterilization of instruments, for general heating and cooking purpose. It is a costly appliance but has several advantages. It has high, low and medium controls to control the temperature.

5. BREAD TOASTER

AIM:

- 1) To dismantle the given faulty electric bread toaster.
- 2) To identify the fault and correct it.
- 3) To Reassemble the electric bread toaster and test the electric bread Toaster.

RELATED INFORMATION

Toaster is an appliance which works on the principle of heating effects of electricity. Toasters are available from 220 watts to 250 watts. Toasters are used for toasting bread. In a toaster, a coil used as heating element wrapped on two mica sheets in a zig-zag way. Toasters are of two types.

- (1) Manual Type Toaster.
- (2) Automatic pop-up type toaster.
which works on an automatic time device.

TOOLS REQUIRED

- | | | |
|-------------------------------|---|---|
| 1. insulated cutting plier | - | 1 |
| 2. Screw driver 20cm and 10cm | - | 1 |
| 3. Spanner set | - | 1 |
| 4. Testing lamp | - | 1 |

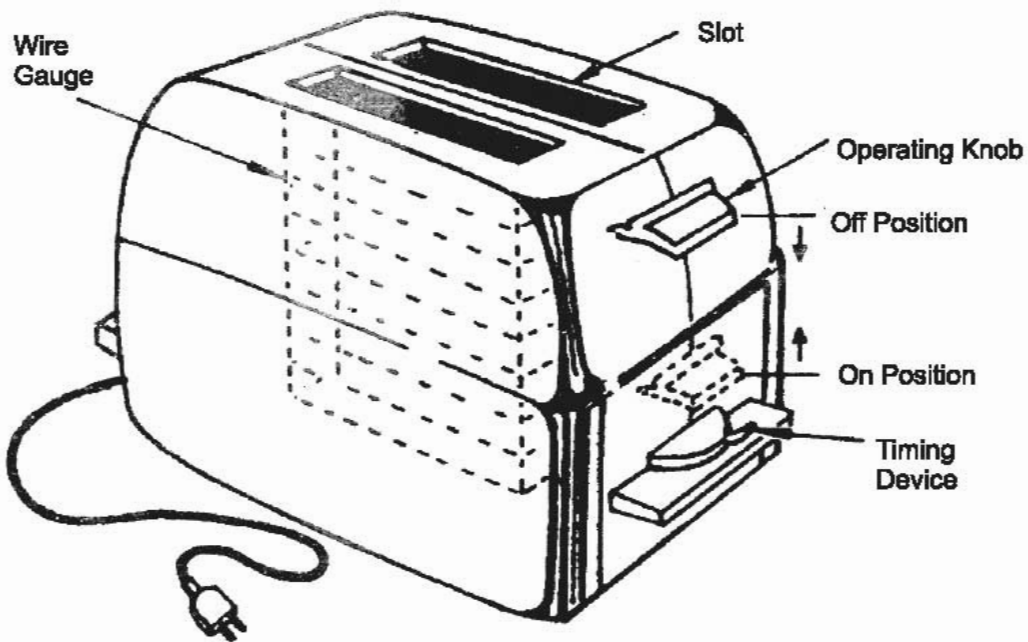
MATERIALS REQUIRED

- (i) Bread Toaster 200 W 230 V

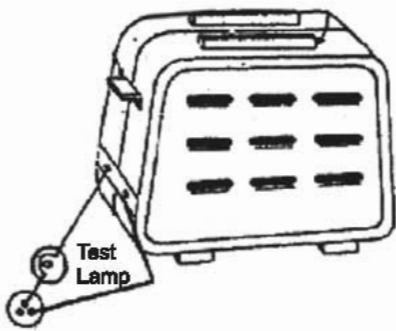
PROCEDURE

A toaster consists of the following main features:

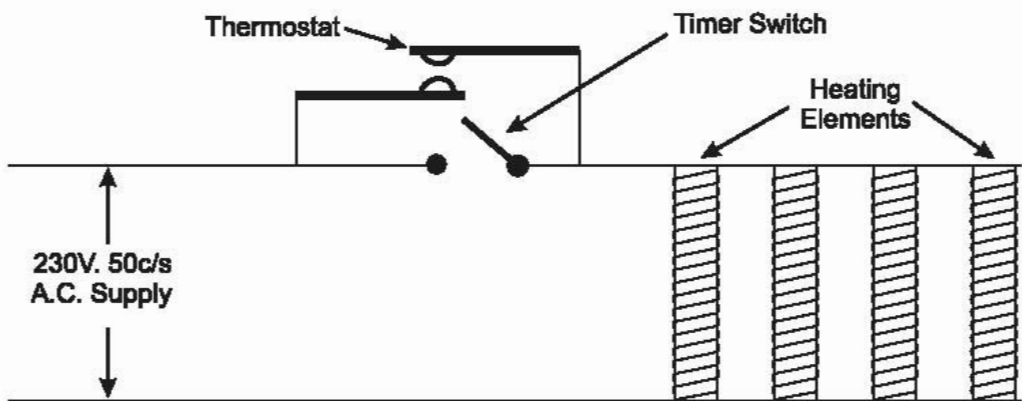
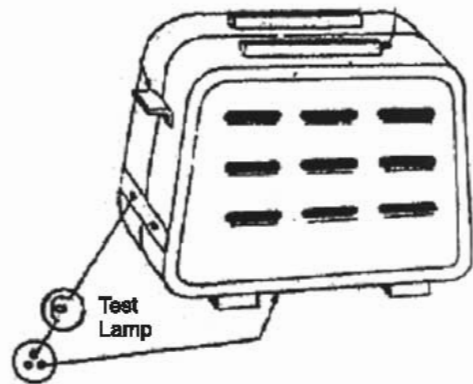
- (i) Body (two part) cover
- (ii) Slot
- (iii) Operating knob/lever.
- (iv) Timing device.
- (v) Base and toaster upright rest.
- (vi) Heating element and the wire gauges.



Open and Short Circuit



Earth Fault



	Open circuit	Short circuit	Earthing
Test Lamp	Glow / Not Glow	Dim / Bright	Glow / Not Glow
Fault	Occured / Not occurred	Occured / Not occurred	Occured / Not occurred

DISMANTLING

(i) Dismantling of electric toaster is done by opening the body covers after disconnecting the appliance from the supply.

(ii) Remove the terminals connecting the two sets of heating elements from the terminals (connector) and check the arrangement of element on mica sheets.

(iii) Release the spring controlling lever, used to pull up or down the toaster. By removing the screws this arrangement can be dismantled, but it should be avoided.

(iv) Time device connection may be studied, and no dismantling is usually done.

RE-ASSEMBLING

(i) Insert the two sets of element outside the wire gauge in the housing and connect the two heating elements with the terminals (connector)

(ii) Close the two body covers together with screws, nuts and bolts.

(iii) If time-device has been opened, put the adjusting spring in order and check the lever for lifting or lowering the toaster, before closing the body part.

TESTING AND MAINTENANCE

PROCEDURE

Continuity and short circuit

(i) Connect the testing leads to the two ends of the element. If the lamp gives dim light, there is continuity. If the lamp does not glow, it is an open circuit. If the lamp gives full light, there is short circuit.

(ii) In case of open circuit, connect the broken ends. In case of short circuit, separate the touching ends and insulate them with porcelain beads.

6. ELECTRIC KETTLE

AIM:

- 1) To dismantle the given faulty saucer pan kettle.
- 2) To identify the fault and correct it.
- 3) Reassemble the saucer pan kettle and test the saucer pan kettle.

RELATED POINTS

Electric kettle is used for warming water. It is available in two types, viz.

- (1) Immersion Type (2) Saucepan Type

In the immersion type the heating element is and inserted inside a coiled tube. The coil is placed in a container and two leads are provided at the side for giving electrical connection. Earth terminal is connected to the metallic container. Leakage of water at the terminals is prevented by providing rubber sealing.

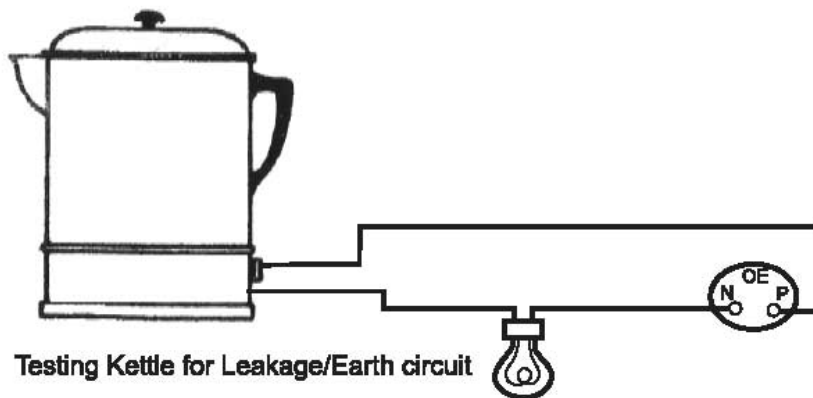
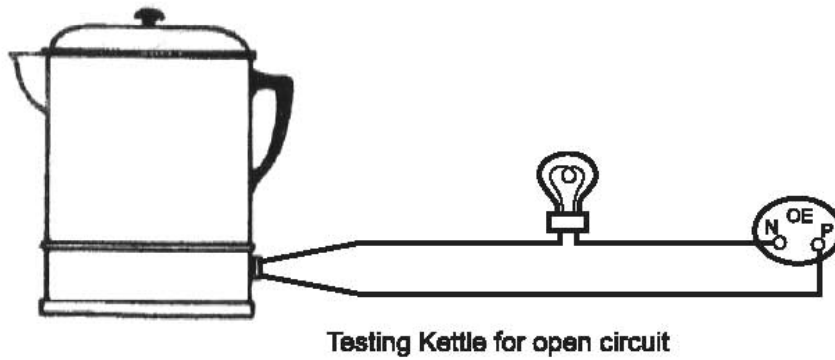
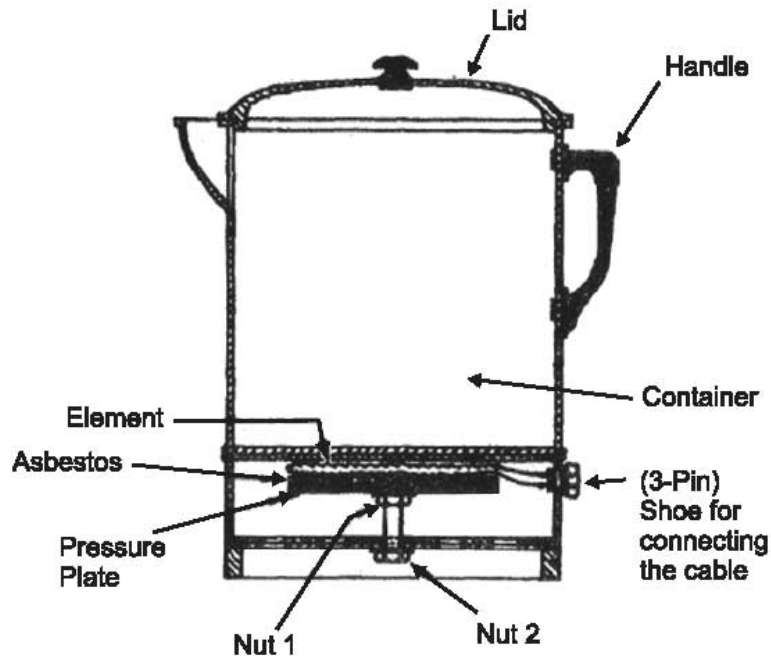
In saucepan type, heating element is similar to that used in electric iron but it is of circular shape. There are two portions in the kettle. The upper portion is a container of water. The lower portion houses the element. The leads of the heating element is connected to three-pin socket. A three-core cable is used for connecting kettle to the supply.

TOOLS REQUIRED:

- | | | |
|--------------------------------|---|--------|
| 1. Insulated cutting plier | - | 1 |
| 2. Screw driver 20cm and 10 cm | - | 1 each |
| 3. Spanner set | - | 1 set |
| 4. Testing lamp | - | 1 |
| 5. Connector Screws | - | 1 |

MATERIAL REQUIRED

- (i) Sauce Pan Type Kettle-1 (ii) Immersion type kettle-1



	Open circuit	Short circuit	Earthing
Test Lamp	Glow / Not Glow	Dim / Bright	Glow / Not Glow
Fault	Occured / Not occured	Occured / Not occured	Occured / Not occured

PROCEDURE

DISMANTLING (SAUCE PAN TYPE)

- (i) Remove the nut provided at the bottom of the kettle. Take out the lower cover after disconnecting the element from the 3 pin socket.
- (ii) Remove the nut given on the pressure plate and take out the pressure plate, asbestos sheet and mica insulated element.
- (iii) Keep all the parts separately.

RE-ASSEMBLING

- (i) Keep the heating element by inverting the kettle.
- (ii) Keep the asbestos sheet over the element holding the kettle in the same position.
- (iii) Keep the pressure plate over the asbestos sheet and tighten nut No.2
- (iv) Keep the lower cover properly over the container and fix the nut No.1. Now the kettle is assembled.

TESTING

Test the kettle with the help of test lamp for (a) open circuit, (b) Continuity (c) earth fault/leakage.

- (i) Connect the two leads of the test lamp to the supply.
- (ii) Switch on the supply. Touch the test leads to the two terminals of the coil. If the lamp glows it indicates a closed circuit. Therefore the coil is in good condition. If the lamp fails to glow it means the coil is broken (open circuit). Replace the coil.
- (iii) Place one test lead on the container and the other on one of the pins of the 3 pin socket. Change the lead on the pin and test it. If the lamp glows in any one position stated above, it means there is leakage or earth fault. Open the kettle and check for the insulation. Provide more insulation, if necessary.

APPLICATION

The skill developed in this lesson may be applied to dismantle, assemble and test similar appliances.

7. ELECTRIC GEYSER

SPECIFIC OBJECTIVE

- 1) To dismantle the given faulty geyser.
- 2) To identify the fault and correct it.
- 3) To Reassemble the geyser and operate the geyser.

RELATED INFORMATION

An electric geyser is an appliance used to heat water by using electric energy. Usually, geysers of the capacity of 5 litres, 10 litres and 50 litres are available. The following are the parts of geyser:

- i) Metal water tank
- ii) Metal cover
- iii) Heating element

In good quality geysers, tanks made of copper with tinned inner side are used. However, steel tanks with nickel plating on the inner side are also used. The outer side of the tank may be painted with red lead.

In order to protect the hot water in the metal tank from heat loss, a metallic cover is provided around the metallic tank. Between the cover and the tank, an 8 cm wide space is left all around the tank. This space is filled with glass wool. Glass wool acts as a heat insulation medium for geyser.

The heating element is fitted a little above the bottom from the side of the tank. Various types and sizes of heating elements are used. However, the “tube-type” element is in common use. This type of heating element is fitted inside a tube which is full of magnesium oxide. Magnesium oxide acts as an insulator and prevents the elements from touching the walls of the tube. The bottom head of the tube is fitted with a bakelite connector which is fitted with a bakelite connector which is fitted with the connecting pins for the heater element. A detailed diagram for a typical geyser shown in figure. The hot water outlet is arranged in symphonic manner. So that to make hot water available to the initial water level cannot be reduced below level B which ensures that the heating element will always be inside the water.

The thermostat fitted in a geyser controls the temperature of water automatically and, thus, safeguards the whole unit from over heating. As soon as the temperature of the water inside the tank reaches 85° the heating elements automatically disconnected. Electric connection is automatically restored as soon as the temperature of water falls.

As the water heating capacity of a geyser increases the electric power consumption also increases. A typical rating for a geyser is 230/250 volt AC 50 litres, 2000 W.

Equipment and Materials

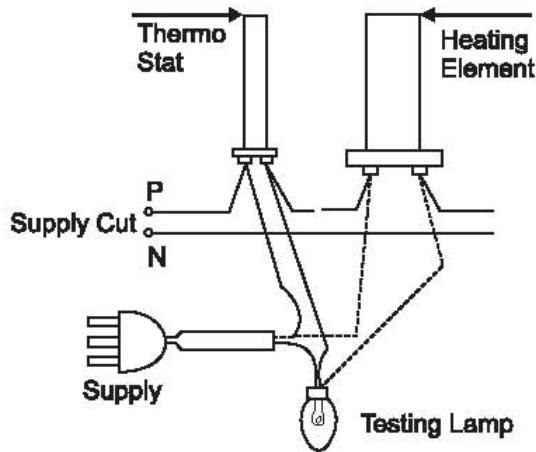
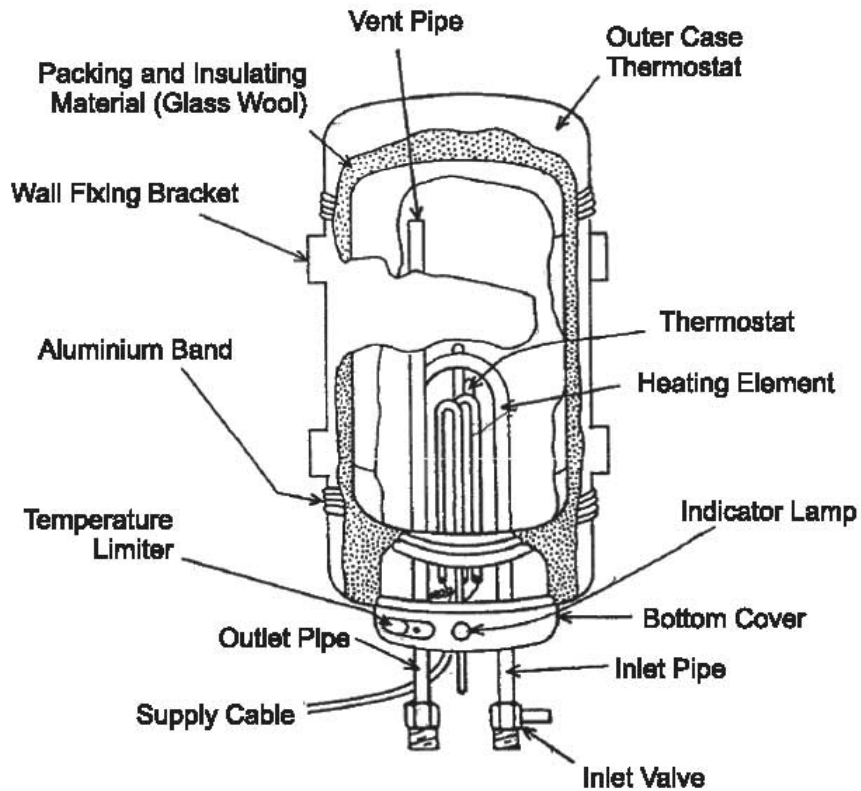
- i) As electrical geyser
- ii) Electrician's tool kit.
- iii) Test lamp
- iv) Megger
- v) Multimeter

Procedure

- i) Disconnect the geyser from the supply mains.
- ii) Drains out all the water from the geyser.
- iii) Test for electrical leakage with the help of a megger.
- iv) Open the clamps to remove the heater and thermostat from the geyser. Remove the earth connection.
- v) Check the continuity of the heater element.
- vi) If there is any scale formation around the heater tube, remove it (use hydrochloric acid solution to remove the scales)
- vii) Fit in the heater element and thermostat to its original position. Connect the earth wire.
- viii) Recheck the geyser assembly against any electrical leakage.
- ix) Open the inlet tap until the water tank is filled with water.
- x) Close the inlet tap and switch on the electric supply to the unit.
- xi) Wait for two to three minutes and then open the inlet tap and outlet tap. Check for the continuous flow of hot / warm water.
- xii) Close the water outlet tap and switch off the supply to the geyser.

TABULAR RECORD OF OBSERVATIONS

- i) Voltage rating of the geyser.
- ii) Water storage capacity.
- iii) Electric power rating.
- iv) Current drawn by the geyser.



	Open circuit	Short circuit	Earthing
Test Lamp	Glow / Not Glow	Dim / Bright	Glow / Not Glow
Fault	Occured / Not occured	Occured / Not occured	Occured / Not occured

- v) Rating of the fuse wire connected in the fuse switch connected to geyser.
- vi) Total monthly electric energy (in units) drawn by the geyser, if it remains on for 6 hours a day.

PRECAUTIONS

- i) Do not touch the geyser when the power supply is ON.
- ii) Check that the body of the geyser is electrically insulated before and after dismantling the geyser.
- iii) Check that the geyser tank is filled with water before switching on the electric supply to the geyser.
- iv) Disconnect the electric supply from the geyser before leaving the laboratory.
- v) When the geyser is not to be used for a long time, the water in the tank should be drained out by unscrewing the drain plug.

8. COFFEE PERCULATOR

AIM

- 1) To dismantle the given faulty coffee perculator.
- 2) To identify the fault and correct it.
- 3) Reassemble the coffee perculator and operate the coffee perculator.

RELATED INFORMATION

Coffee perculator is one of the heating appliance. It is used to prepare coffee in the house. The construction is similar to the kettle. A perculating tube is fixed in side and a coffee basket is fixed on the top of perculating tube. The coffee powder is filled on it. When supply is given to the perculator the hot water raises through the perculating tube. Then the hot water passes through coffee power, coffee extract comes down and is collected in the coffee champer and thus the coffee is prepared.

TOOLS REQUIRED

- (i) Insulated Cutting plier-1
- (ii) Screw driver 20 cm and 10 cm - 1
- (iii)Spanner set - 1
- (iv)Test lamp - 1

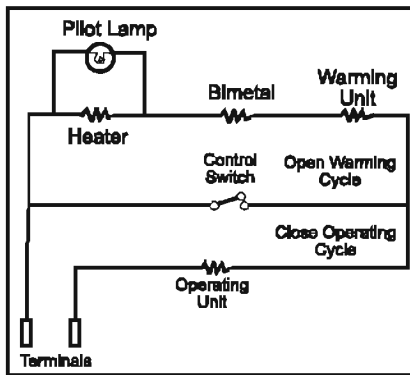
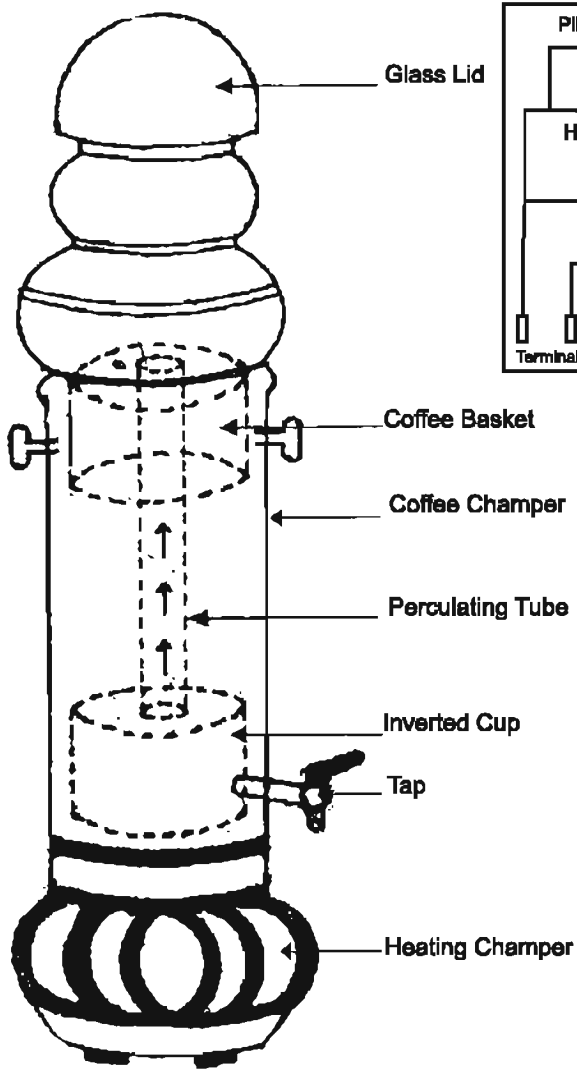
MATERIAL REQUIRED

- (i) Coffee Perculator - 1

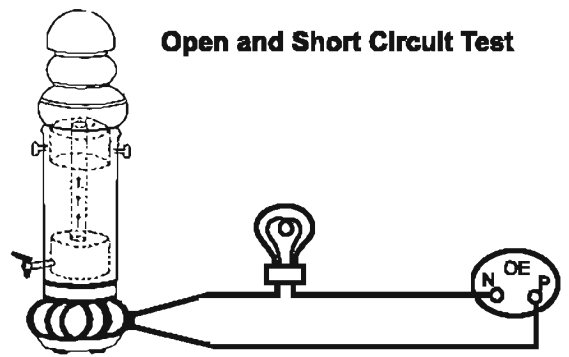
PROCEDURE

DISMANTLING

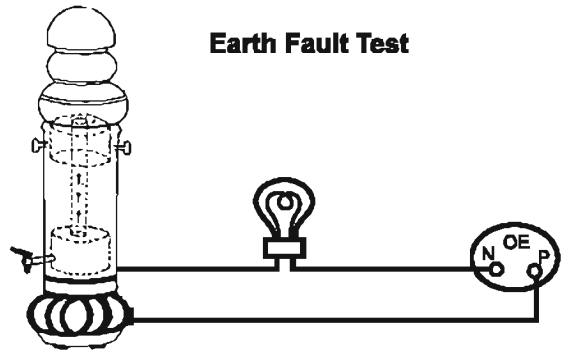
- (i) Remove the glass cover.
- (ii) Remove the perculating tube with the coffee basket
- (iii)Dismantle the pressure plate, Asbestos Sheets, Mica Sheet, heating element.



Open and Short Circuit Test



Earth Fault Test



	Open circuit	Short circuit	Earthing
Test Lamp	Glow / Not Glow	Dim / Bright	Glow / Not Glow
Fault	Occured / Not occured	Occured / Not occured	Occured / Not occured

TEST

- (i) Connect the test lamp leads to the heating element.
- (ii) If the lamp does not glow, open circuit fault has occurred.
- (iii) If the lamp is dim, the heating element is in good condition.

REASSEMBLE

- (i) Fix first the heating element and fix the mica, asbestos sheet, and pressure plate.
- (ii) Connect the terminals without short circuit.
- (iii) Fix the bottom cover.
- (iv) Before operation putting in operation once again conduct the open, short circuit and earth fault tests to confirm that there is no fault in the heating element.

PRECAUTION

Disconnect the supply before dismantling.

9. MIXER

AIM

- 1) To dismantle the given faulty mixer.
- 2) To identify the fault and correct it.
- 3) To reassemble the mixer and operate the mixer.

RELATED INFORMATION

Electric mixer is a boon for housewives. It is a very useful appliance for grinding spices, onions, garlic and ginger etc. Another use of this mixer is in preparation of fruit juice, milk shake, etc.

The speed of the mixer is very high. The mixers are available in small, medium and large sizes. The large size is mostly used for commercial purpose.

The electric mixer can be divided into three parts from construction point of view.

Base: The base portion houses an electric universal motor with a ON/OFF switch or a selector switch if it is a multi-speed motor.

Grinder and Blender The grinder is of two types. The one is for fruit juice, vegetable juice, etc. It is called blender. For grinding dry and hard spices, the blades of the grinder are small in size and are made of hard stainless steel.

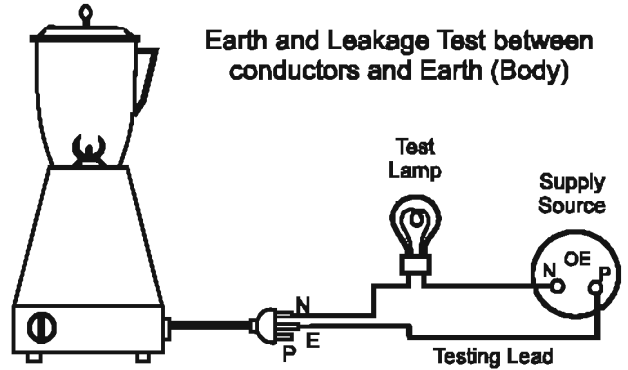
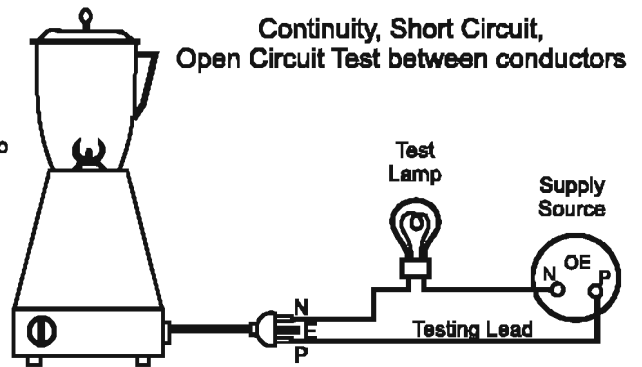
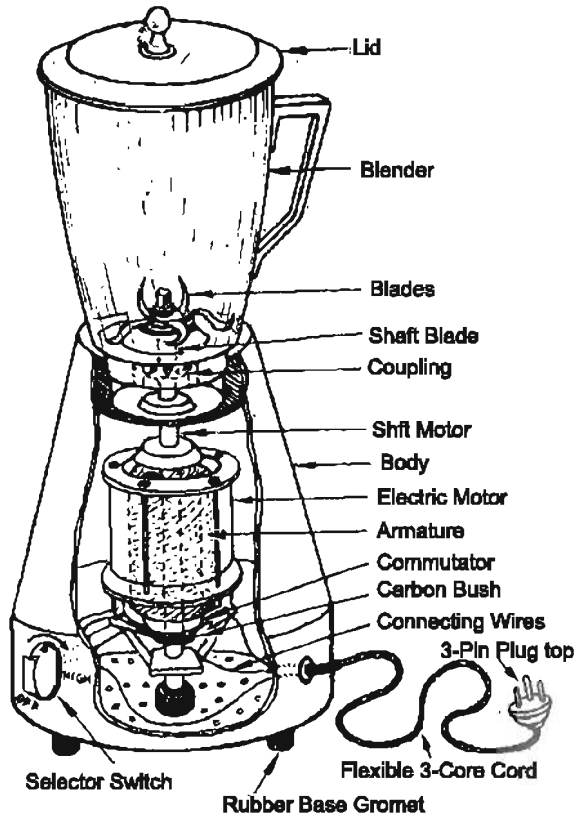
Bowl:

The material to be ground or mixed is put into the bowl. After the preparation is ready, the bowl along with the grinder is detached from the shaft of the motor. The contents are then poured out.

The bowl and grinding blades are coupled with the help of a nylon coupling (having radial fins over its periphery)

TOOLS REQUIRED

- | | |
|---|------|
| (i) Insulated Cutting plier | - 1 |
| (ii) Insulated screw driver 15 CM and 25 CM | - 1 |
| (iii) Test lamp | - 1 |
| (iv) Bearing Puller | - 1. |



	Open circuit	Short circuit	Earthing
Test Lamp	Glow / Not Glow	Dim / Bright	Glow / Not Glow
Fault	Occured / Not occured	Occured / Not occured	Occured / Not occured

MATERIALS REQUIRED

- (i) Mixer - 1

PROCEDURE

- (i) Observe fitting of the mixer carefully.
- (ii) Remove blender from the mixer.
- (iii) Unscrew base cover screws and remove the base cover.
- (iv) Remove nylon coupling from the shaft.
- (v) Unscrew motor mounting screws.
- (vi) Remove the motor from the body.
- (vii) Dismantle the mixer and check bushes.
- (viii) Clean shaft and bushes with kerosene oil.
- (ix) Apply mobile oil on bushes and shaft.
- (x) Connect test lamp in series with the motor for continuity test, short circuit test and open circuit test.
- (xi) Connect a test lamp in series with the motor for earth and leakage test.
- (xii) With the mixer switch ON, if the light glows, it indicates that the motor is free from leakage and earth fault.
- (xiii) Align carbon bush and its holders properly.

PRECAUTION

- (i) The mixer must not be kept “ON” for more than two minutes for any single operation.
- (ii) Mixer bowl should be cleaned with water after every use.
- (iii) No water should get into motor winding.

10. EGG BEATER

Aim :

To Dismandle, Testing, and Reassembling the faulty egg beater.

Related information:

Egg Beater is a domestic appliances there is a small universal motor uses in egg beater. There is a blade set assembled in the shaft of the motor, when the blade rotate the egg and power food materials are blended well.

Tools required

- | | | |
|-----------------------------|---|---|
| 1) Insulated plier | - | 1 |
| 2) Screw driver 2cm & 10 cm | - | 1 |
| 3) Spanner | - | 1 |
| 4) Series test lamp | - | 1 |

Materials Required

- | | | |
|---------------|---|---|
| 1) Egg Beater | - | 1 |
|---------------|---|---|

Procedure

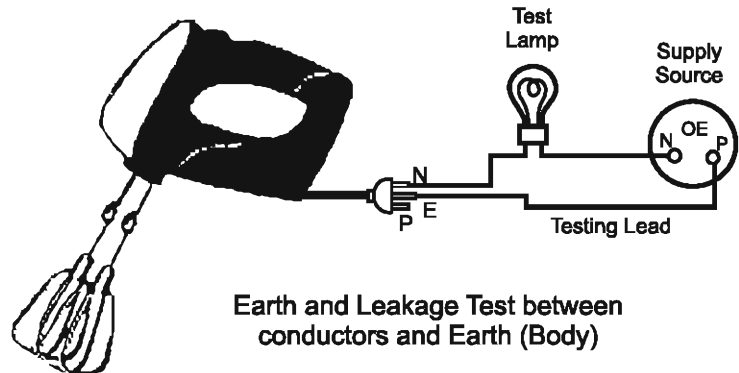
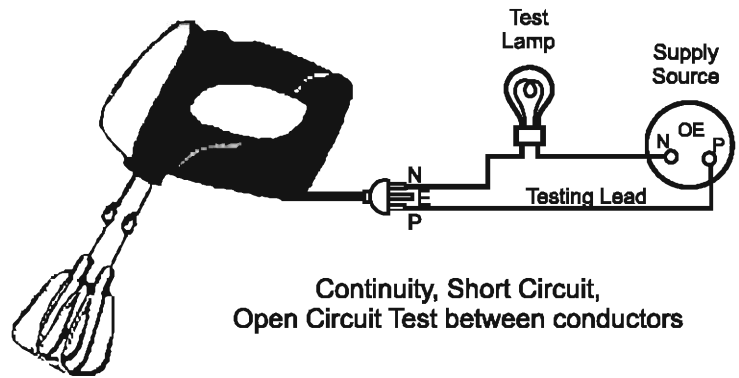
Parts of egg beater

- 1) Universel motor
- 2) Gear Assembly
- 3) Blade Set

Dismantling

- 1) Unscrew the top cover,
- 2) Remove the blade Set
- 3) Remove the gear assembly

Egg Beater



	Open circuit	Short circuit	Earthing
Test Lamp	Glow / Not Glow	Dim / Bright	Glow / Not Glow
Fault	Occured / Not occured	Occured / Not occured	Occured / Not occured

Testing:

Open Circuit fault, short circuit fault, Earth fault are checked with Multi meter. Bearing and gear are checked. Werhe there is any wear.

Reassemble

Universal motor placed in the cover of egg beater and the gear is fitted with the shaft of the motor and the blade set is assembled with the gear assembly.

Test after the Reassemble

With the help of multimeter open circuit fault , short circuit fault, earth fault are once again checked.

Precaution:

- (i) While unscrewing and tightening the screws undue pressure must be applied.
- (ii) Dismantled part's must be placed in a systematic way and the screws must be secured in bins
- (iii) To prevent the Egg Beater from any major repair maintain it properly.

11. TABLE FAN

AIM

- 1) To dismantle the given faulty table fan.
- 2) To identify the fault and correct it
- 3) Reassemble the table fan and operate the table fan.

RELATED INFORMATION

Generally there are different types of table fan in the market. The size of the table fan measured from its sweep (blade size):

- (a) Table fan 22 cms, 30 cms, 35 cms, etc.,
- (b) All purpose table fan: The motor of this fan differ from other table fan's motor. It is a shaded pole motor without capacitor.
- (c) A table fan having stand is called a pedestal fan.

Table fans are used to circulate air in their vicinity. Table fans (a) and (c) are generally a capacitor start single phase induction motor. The blades of the fans are mounted on the rotating shaft.

Since the table fan is within easy approach of every one, the blades are enclosed with a cage to avoid accident. The cage is mounted on the outer front part of the body.

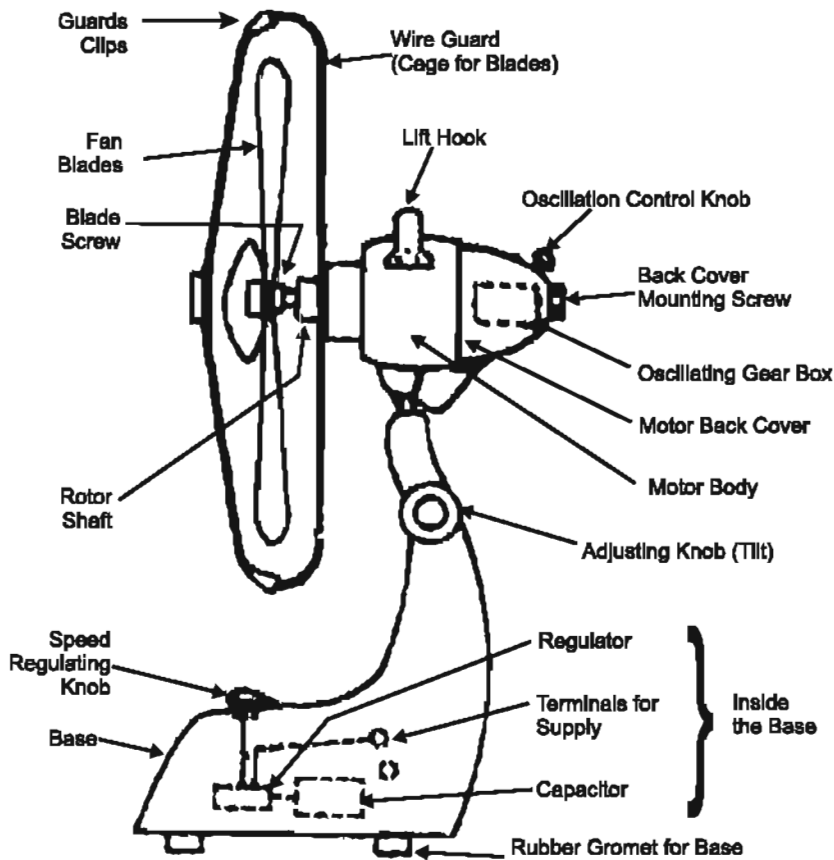
In a table fan, the motor is at the top of the body and the regulator is at the base. Regulator is used to decrease or increase the speed of the fan. The circulation of air depends upon the speed of the fan. Power consumption of a table fan is approximately 60 watts.

TOOLS REQUIRED

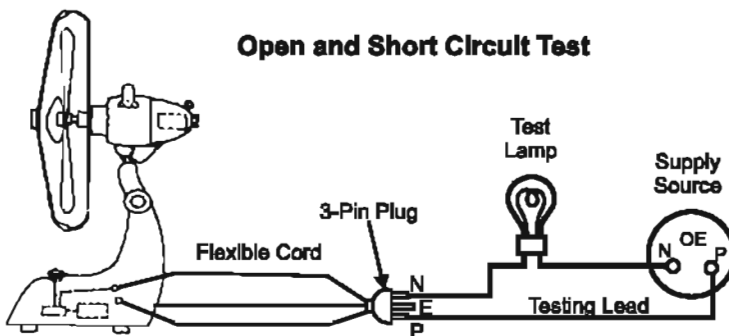
1. Insulated cutting plier - 1.
2. Insulated Screw Driver 15 cm and 25 cm-1
3. Test Lamp - 1.

MATERIALS REQUIRED

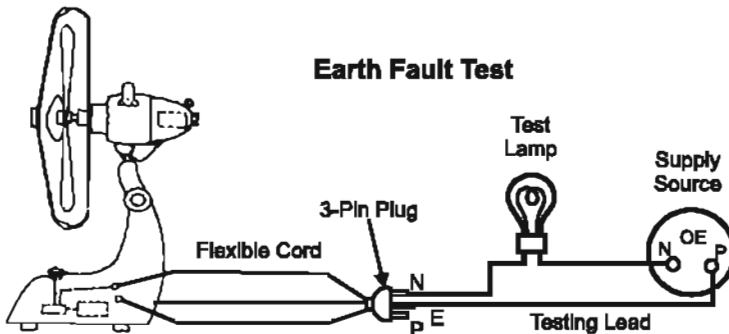
- | | |
|--|-------------------------------|
| (i) Table Fan - 1 | (ii) Insulation tape coil - 1 |
| (iii) Lubricant oil or Greece - 1 pocket | (iv) Kerosin oil - 100 ml. |
| (v) Cloth - 1 | (vi) Wooden Plate 2x3x1 1/2 |



Open and Short Circuit Test



Earth Fault Test



	Open circuit	Short circuit	Earthing
Test Lamp	Glow / Not Glow	Dim / Bright	Glow / Not Glow
Fault	Occured / Not occurred	Occured / Not occurred	Occured / Not occurred

PROCEDURE

- (i) Collect required materials
- (ii) Place the rubber mat on the floor/working table.
- (iii) Observe the fan's fittings.
- (iv) Open the clips of the cage.
- (v) Unscrew the blades mounting screws and remove the blades from shaft.
- (vi) Unscrew the back cover and remove it.
- (vii) Take out the gear box by removing the mounting screws of the box. Remove the back cover of the motor by unscrewing the screw. Take out rotor.
- (viii) Clean the shaft and bushes with the help of cloth and kerosene oil, Clean the motor winding but do not damage the winding coils.
- (ix) Apply mobile oil in the bush pad mountings and bushes. Put grease inside the gear box and clean it.
- (x) Fit all the parts simultaneously. Rotate the shaft and check for proper fitting.
- (xi) Conduct ear and leakage tests of the fan. Connect the fan to supply and check its working.

PRECAUTIONS

- (i) Do not damage coils by hammering or cutting. Do not hammer any part of the fan.
- (ii) Before dismantling mark sign on the covers of the fan to maintain alingment for assembling.

12. CEILING FAN

AIM

- 1) To dismantle the given faulty ceiling fan.
- 2) To identify the fault and correct it.
- 3) Reassemble the ceiling fan and operate the ceiling fan.

RELATED INFORMATION

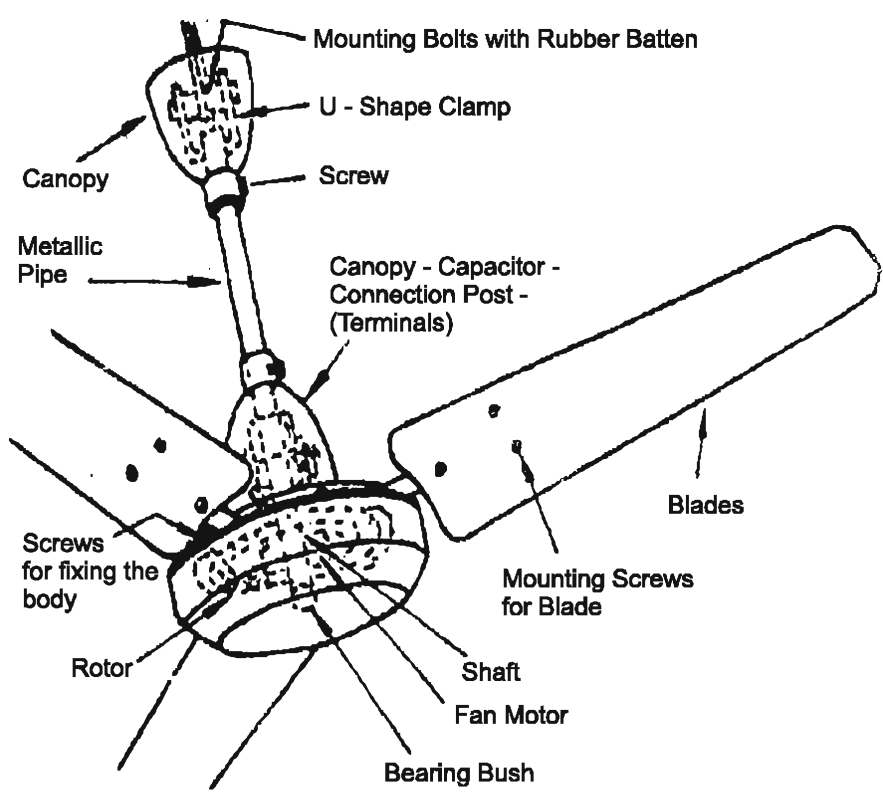
Before handling a ceiling fan the students should know the details of a particular fan. The information is available from a name plate which is fixed on the body of a fan. Information on name plate helps us to use the appliance properly. In general, most ceiling fans have a capacitor start single phase induction motor with a difference from usual motors that its central portion (rotor/armature) remains fixed, while the outer portion (stator) rotates. Blades are mounted on the outer portion of the fans. The capacitor is used for giving a starting torque to the fan. Electric fan is mounted over a shaft. When the motor is energised, the outer portion of the fans. The capacitor is used for giving a starting torque to the fan. Electric fan is mounted over a shaft. When the motor is energised, the outer portion makes the blades to rotate and to circulate the surrounding air. The movement of the surrounding air depends upon the speed of the fan. A regulator is connected in series with the fan with different tappings. The speed of a fan can be controlled by a regulator. A fan consists of number of parts. All the parts are fixed together on a shaft. To avoid loose fittings, the parts are locked with bolts, check nuts, split pins and bearing locks.

TOOLS REQUIRED

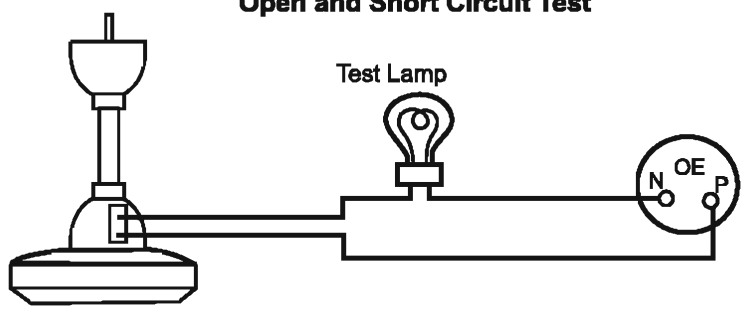
1. Insulated cutting plier - 1
2. Insulated Screw Driver 15 cm and 25 cm - 1
3. Test Lamp - 1
4. Connector - 1
5. Bearing Puller - 1 No.

MATERIALS REQUIRED

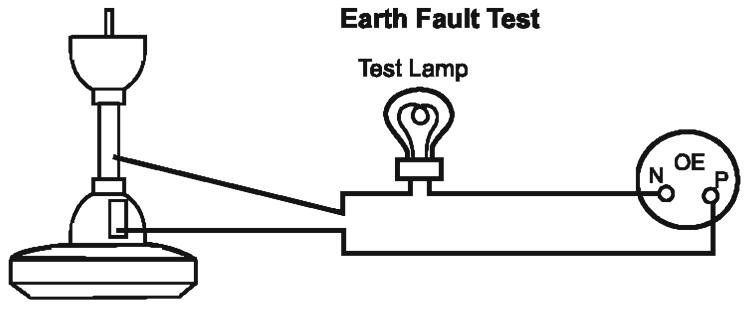
1. Ceiling Fan 200A - 1
2. Insulation tape roll - 1
3. Lubricant oil or Grease - 1 Pocket
4. Kerosene oil - 100 ml
5. Cloth - 1
6. Wooden plank - 2x3x1 1/2



Open and Short Circuit Test



Earth Fault Test



	Open circuit	Short circuit	Earthing
Test Lamp	Glow / Not Glow	Dim / Bright	Glow / Not Glow
Fault	Occured / Not occurred	Occured / Not occurred	Occured / Not occurred

PROCEDURE

- (i) Collect tools and materials.
- (ii) Hold the fan in one hand and rotate the blades. Check if it gives any sound. Sound means bearing/bush is defective or loose.
- (iii) Remove the condenser from its housing.
- (iv) Disconnect connecting wires of the fan.
- (v) Test with the test lamp between conductors. If it gives dim light, then winding is alright.
- (vi) Test in series with the body of the fan. If it gives no light, there is no earth fault and no leakage.
- (vii) Test the capacitor in series with series test lamp. As soon as testing leads are connected to the capacitor, the lamp glows and the capacitor gets charged. Remove the test leads from the capacitor short the capacitor's terminals by means of a wire. If any spark develops, it means that the capacitor is alright.
- (viii) See the fan carefully and observe its screws, bolts etc.
- (ix) Remove the capacitor, disconnect the wires from the terminals.
- (x) Remove any lock (split pin, check nut, etc)
- (xi) Uncrew the motor screw and blade's screws.
- (xii) Remove the blades and the bottom cover of the motor.
- (xii) Remove the bearing/bush from the shaft with the help of bearing puller.
- (xiv) Remove the armature and top cover of the motor.
- (xv) Remove the bearing/bush from the shaft.
- (xvi) Clean the bush/bearing with kerosene oil.
- (xvii) Fit the bush/bearing into the shaft.

- (xvii) Put oil/grease in bush/bearing.
 - (xiv) Assemble all the parts of the ceiling fan.
 - (xx) Fix all the screws, locks, nuts, etc. tightly
 - (xxi) Mount the fan on its respective place and fix the blades.
- Make connection of the fan to the supply.

PRECAUTION

- (i) While dismantling, assembling and testing a ceiling fan, keep it on a wooden plank or rubber mat.
- (ii) Keep all the screws, bolts, locks, nuts, etc. in a box/tray during dismantling.
- (iii) Fix all the screws, bolts, locks and nuts properly during assembling.
- (iv) Do not lubricate the bush with grease. Always put good grease in ball bearing and mobile oil in the bush.
- (v) Handle the fan's blades gently otherwise the blades will be disbalanced and may damage the fan motor, bearings, bush, etc.

13. PUMP

AIM

- 1) To dismantle the given faulty domestic water pump.
- 2) To identify the fault and correct it.
- 3) Reassemble the domestic water pump and operate the domestic water pump.

RELATED INFORMATION

In domestic pump set the capacitor start induction motor are used. Two winding are wound in the stator.

1. Main Winding.
2. Starting Winding

Starting capacitor and centrifugal switch are connected in series with the starting winding.

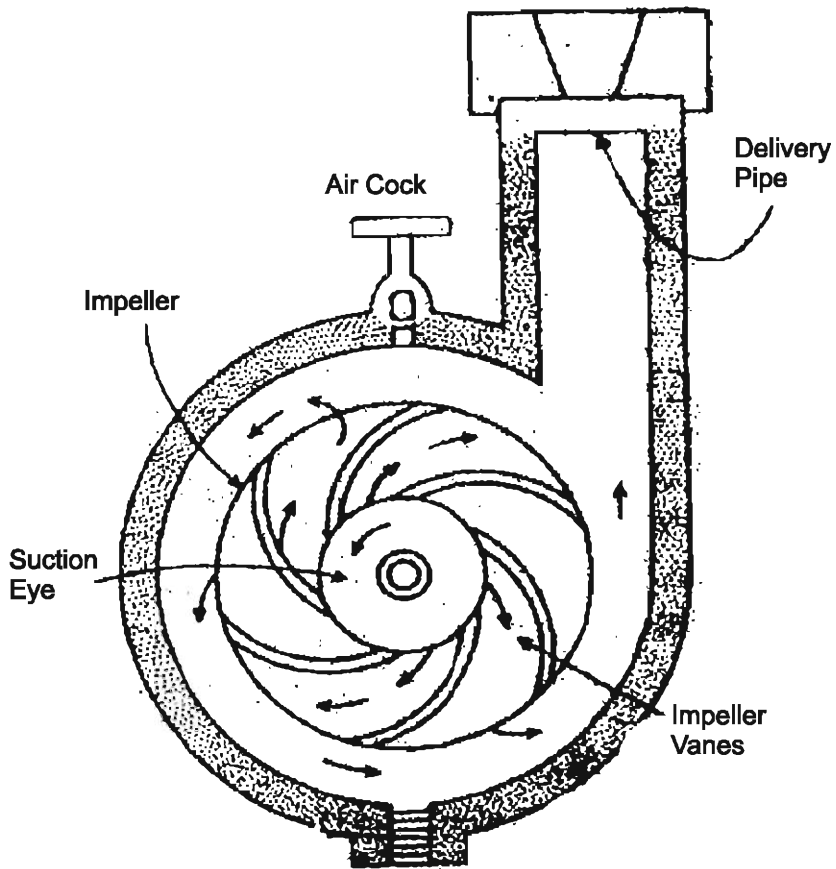
PROCEDURE:

DISMANTLING:

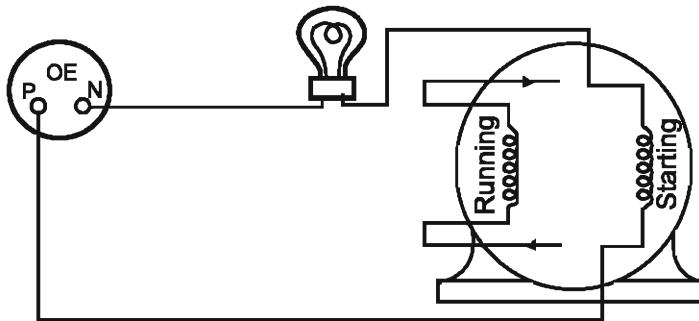
- (I) Separate the axis of motor and pump.
- (ii) Dismantle the rotor from the stator.
- (iii) Disconnect the connection from the starting winding.
- (iv) Test the winding.
- (v) Test the capacitor
- (vi) Dismantle the pump.
- (vii) Dismantle the Impeller.

TESTING

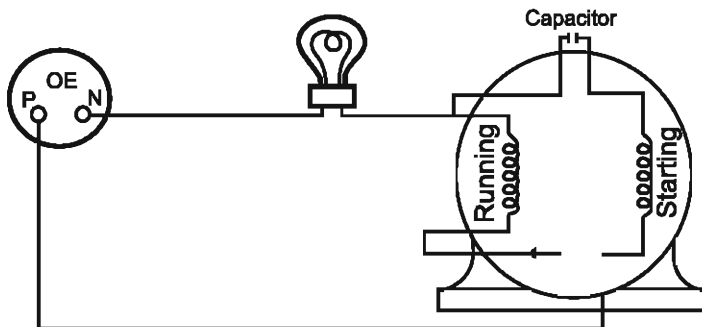
- (i) Connect the series test lamp with the main and starting winding and conduct the open, short and earth fault as shown in Fig.15.
- (ii) Conduct the earth fault on the winding by connection one end of the test lamp to the winding terminal and the other end to the body.
- (iii) Dismantle the centrifugal switch and check the spring.
- (iv) Conduct the test on the capacitor.
- (v) Test the centrifugal pump.
- (vi) Test the impeller if it is damaged.



Open and Short Circuit Test at Starting Winding



Earth Fault Test



	Open circuit	Short circuit	Earthing
Test Lamp	Glow / Not Glow	Dim / Bright	Glow / Not Glow
Fault	Occured / Not occurred	Occured / Not occurred	Occured / Not occurred

RE-ASSEMBLING:

- (i) Fix the rotor inside the stator.
- (ii) Connect the centrifugal switch and capacitor in series with the starting winding.
- (iii) Connect the starting and main winding in parallel.
- (iv) Assemble the impeller inside of the pump casing.
- (v) Align the motor axis and pump axis in stright line.
- (vi) Assemble the delivery pipe and suction pipe.
- (vii) Fix the foot valve immersed atleast 1/2 metre breath the water level.
- (viii) Priming the pump.
- (ix) Inspect if any leakage from the packing rope.
- (x) Conduct a test operation.

PRECAUTION:

- (i) Disconnect the supply before dismantling. Confirm alignment is in correct position.

14. ELECTRIC HAIR DRIER

AIM

- 1) To dismantle the given faulty electric hair drier.
- 2) To identify the fault and correct it.
- 3) Reassemble the electric hair drier and operate the electric hair drier.

RELATED INFORMATION

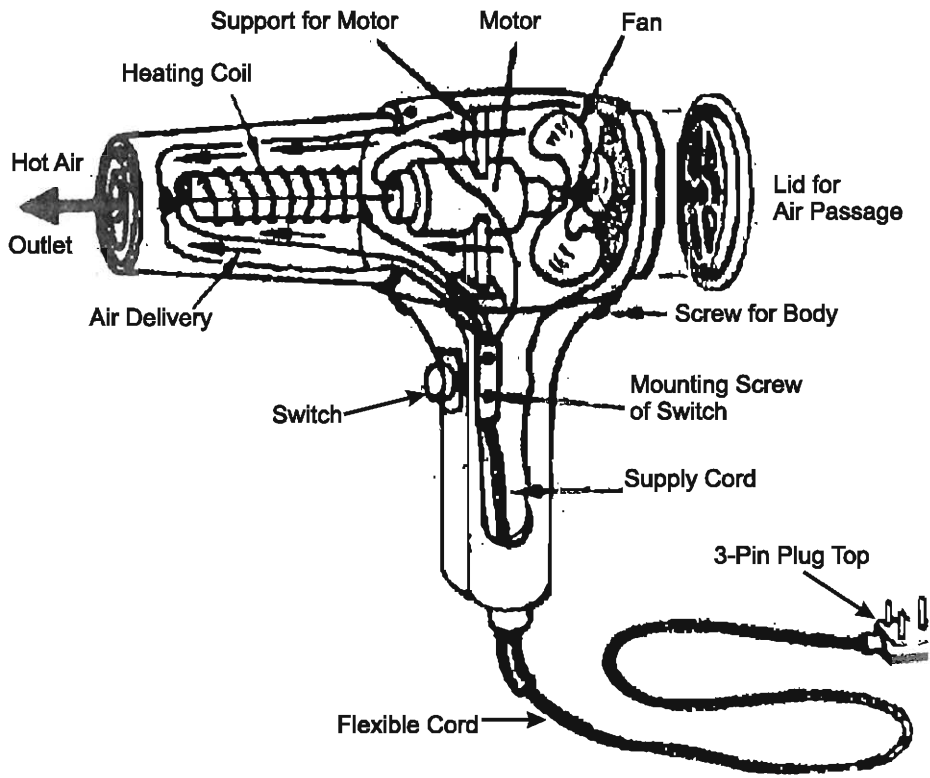
This is a very handy equipment for drying hair. Hair dryer consists of a small fan and a heating element. The air from the fan blows over the heating element and becomes hot. A two-pin plug top is connected at the cord whereas the other end is connected to the hair dryer. The heater element and the fan are housed in an unbreakable bakelite body. The fan motor used in the hair dryer is a shaded pole motor which operates on 220 volts.

TOOLS REQUIRED

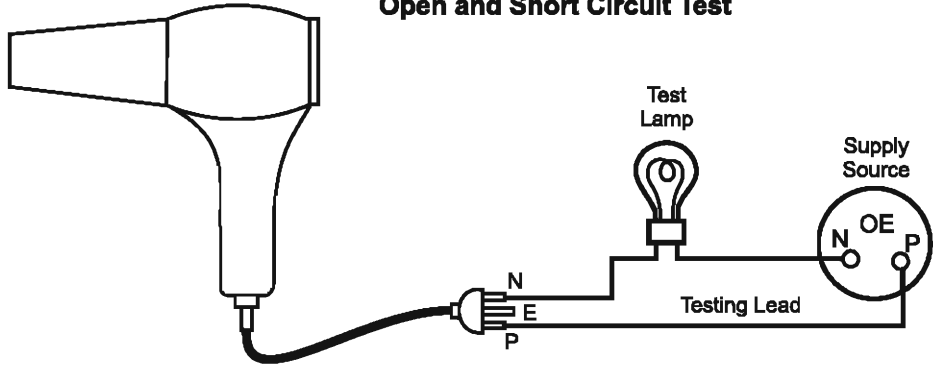
1. Insulated cutting plier - 1
2. Insulated Screw Driver 15 cm and 25 cm -1.
3. Test Lamp - 1

MATERIALS REQUIRED

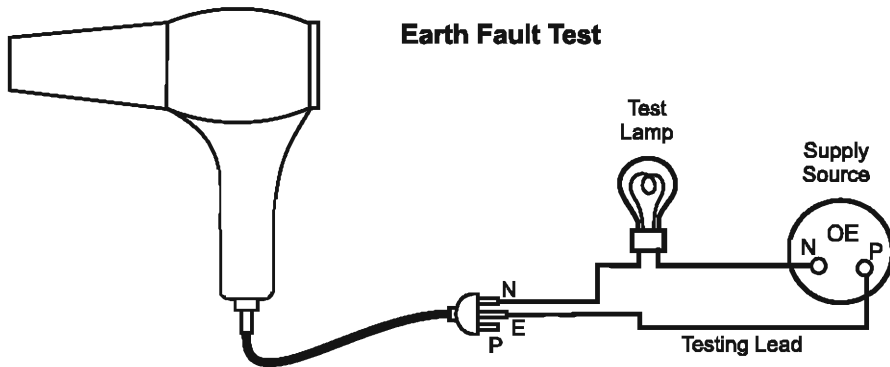
- (i) Hair Dryer - 1
- (ii) Duster cloth - 1
- (iii) Paint brush 15 mm 1
- (iv) Spindle oil with can -
- (iii) Kerosene oil



Open and Short Circuit Test



Earth Fault Test



	Open circuit	Short circuit	Earthing
Test Lamp	Glow / Not Glow	Dim / Bright	Glow / Not Glow
Fault	Occured / Not occured	Occured / Not occured	Occured / Not occured

PROCEDURE

- (i) Procure material and tools.
- (ii) Observe fitting of the dryer.
- (iii) Unscrew all screws of the bold & nuts of the body.
- (iv) Lift cover of the body.
- (v) Check heating element and switch.
- (vi) Remove motor from the assembly.
- (vii) Check the motor.
- (viii) Clean bush and shaft of the motor with kerosene oil.
- (ix) Apply oil in the bush pad.
- (x) Fit motor and tighten the screws.
- (xi) Tighten the top cover of the hair dryer.
- (xii) Conduct continuity test, short circuit test and open circuit test of the motor and heating element.

PRECAUTION

Do not put any metallic part or finger into the mouth of the dryer when it is working.

15. VACCUUM CLEANER

Aim:

- (i) To dismantle the given faulty vaccum cleaner
- (ii) To identify the fault and correct it.
- (iii) To Reassemble the vaccum cleaner and test the device.

Related Information :

A vaccum cleaner is a device that uses an air pump to create a partial vaccum to suck up the dust and dirt, usually from floors. The dirt is collected by either a bag or a cyclone for later disposal.

Working principle:

The working of a Vaccum cleaner strictly depends on the air pressure. When the vaccum cleaner is switched on, the motor starts operating. Since the fan is attached to the motor, the fan starts rotating, forcing air upwards in the process. With the air moving forward, the density of the air before the fan increases and behind the fan decreases. This creates suction within the device. This drop in air pressure level within the cleaner causes air to be sucked in.

Tools, equipments and material Required:

- i) Insulated combination plier : One
- ii) Screw drivers 20cm and 10cm : One each
- iii) Test lamp : One

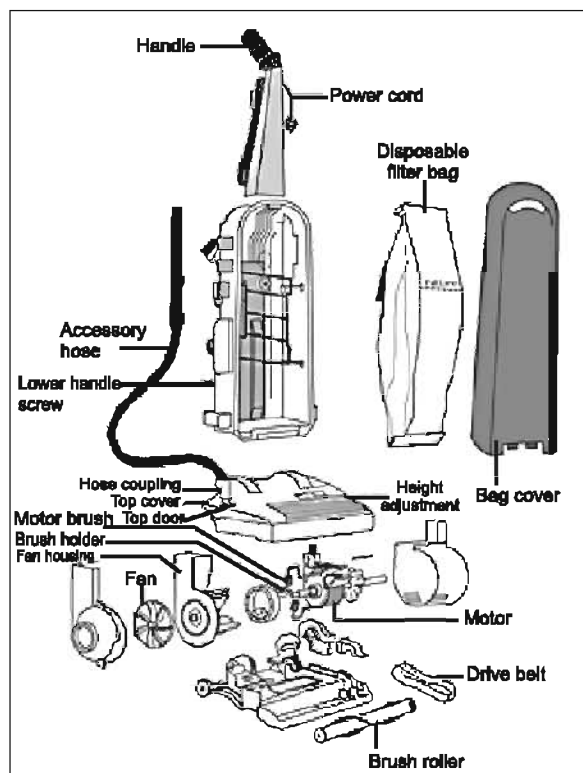
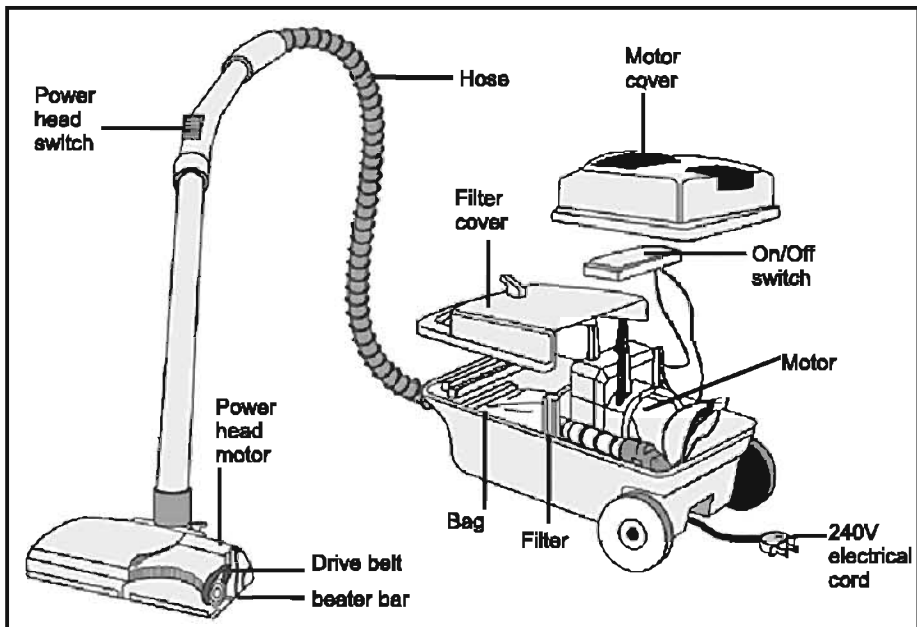
Material

- (i) Vaccum cleaner : One

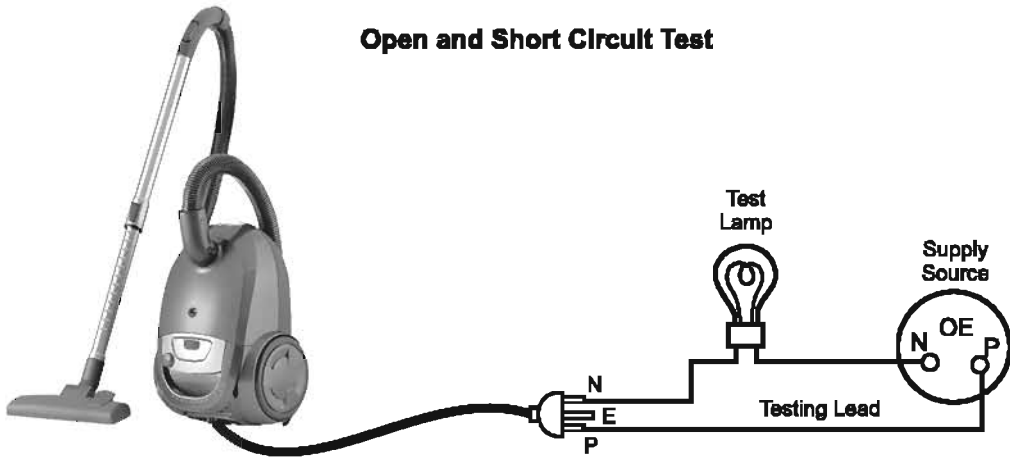
Equipment

- (i) Multimedia : One

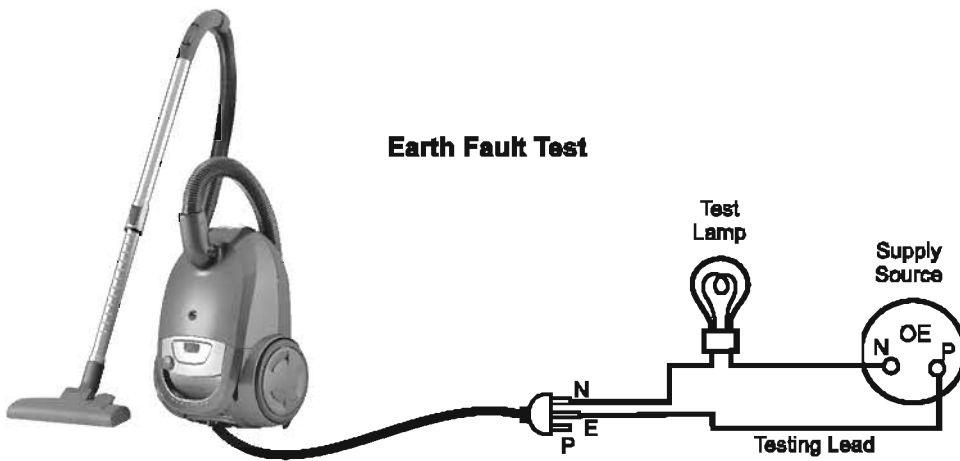
VACUUM INNER PARTS



Open and Short Circuit Test



Earth Fault Test



	Open circuit	Short circuit	Earthing
Test Lamp	Glow / Not Glow	Dim / Bright	Glow / Not Glow
Fault	Occured / Not occured	Occured / Not occured	Occured / Not occured

PROCEDURE:

Main parts of a vaccum cleaner:

- i) Intake port
- ii) Exhaust port
- iii) The fan
- iv) Electric Motor
- v) Filter bag.
- vi) Housing

Testing:

After Dismantling, check the suction hose, vaccum filter and vaccum cleaner belt etc.

If any clogging in sudion hose, remove the dogging.

If filter is damaged, replace by new one.

If the fault is in the belt replace the belt by new one. Installing a new belt is ease one. Remove the old belt which connects the agitator brush and drive shaft and install the new one.

Sometimes, any thread or hair could be tangled in the brush. Use a scissor to out them out. Make sure that it is spinning properly with care.

If there is no power supply, check the power supply cord. By continuity test, the fault can be found out. If necessary, install new power supply card.

Another Reason for no supply of power could be due to a burned out motor. In this case remove the motor. Rewind the winding which burned out After testing the motor, If it is correct Refix it. Otherwise replace the motor by new one with same rasing and size.

Dismantling:

1. Turn over the vaccum cleaner.
2. Unscrew the bottom side screws.
3. Raw Remove the bottom plate.
4. Remove the sudision hose.
5. Remove the filter bag.

Re-assembling

1. Fix the filter bag new one.
2. Fix the hose in the suction opening. It will give click sound when fixed.
3. Fix the bottom plate in correct position.
4. Fix the Screw on the bottom side screws.
5. Turn the device verificaly in original position.

Testing After Re Assembling

Check the continuity of main cord wire by performer open circuit, short circuit and earth fault test. If found correct switch on the vaccum cleaner.

Check the vaccum cleaner cleans the dirt effectvely.

Precautions:

- (i) While unscrewing and tightening the screws undue pressure must be applied.
- (ii) Dismantled part's must be placed in a systematic way and the screws must be secured in bins
- (iii) To prevent the vaccum cleaner from any major repair maintain it properly.